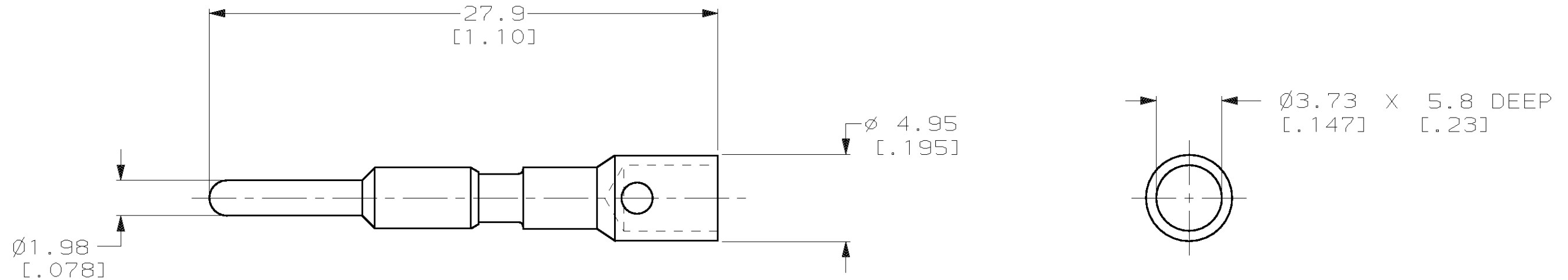


THIS DRAWING IS UNPUBLISHED. RELEASED FOR PUBLICATION, 19 .
© COPYRIGHT 19 BY AMP INCORPORATED. ALL INTERNATIONAL RIGHTS RESERVED.

LOC	DIST	P	F	REVISIONS			
ZONE	LTR	DESCRIPTION	DATE	APPD			
CH	11			A	EC OB20-1083-98	20/AUG/98	RNP
				O	RELEASED FOR PRODUCTION	07/JAN/97	RNP

- 1 MATERIAL-COPPER ALLOY
- 2 FINISH-5.08 μM[.0002] SILVER OVER 1.02 μM[.00004] NICKEL.
- 3. WIRE BARREL WILL ACCEPT #10 AWG WIRE.
- 4. MATES WITH AMP PART NUMBER 194211-1.



194210-1

PART NO

DO NOT SCALE PRINT. UNLESS SPECIFIED DIMENSIONS IN mm [INCHES] TOLERANCES ON: 1 PLC DEC ± 0.5[.02] 2 PLC DEC ± 0.25[.010] ANGLES ± -	DR 07/JAN/97 R N POLK
MATERIAL 1	CHK -
FINISH 2	APPD -
	APPD -
	PRODUCT SPEC -
	APPLICATION SPEC -
	WEIGHT -

AMP AMP Incorporated
Harrisburg, PA 17105-3608

NAME
PIN, 2 mm, #10 AWG, LUBRICATED
UNIVERSAL MATE-N-LOK* II

SIZE B	CAGE CODE 00779	DRAWING NO C-194210
SCALE NONE	SHEET 1 OF 1	

*MATE-N-LOK IS A TRADEMARK

THIS DRAWING IS A CONTROLLED DOCUMENT FOR AMP INCORPORATED. IT IS SUBJECT TO CHANGE AND THE CONTROLLING ENGINEERING ORGANIZATION SHOULD BE CONTACTED FOR THE LATEST REVISION.

单击下面可查看定价，库存，交付和生命周期等信息

[>>TE Connectivity\(泰科\)](#)