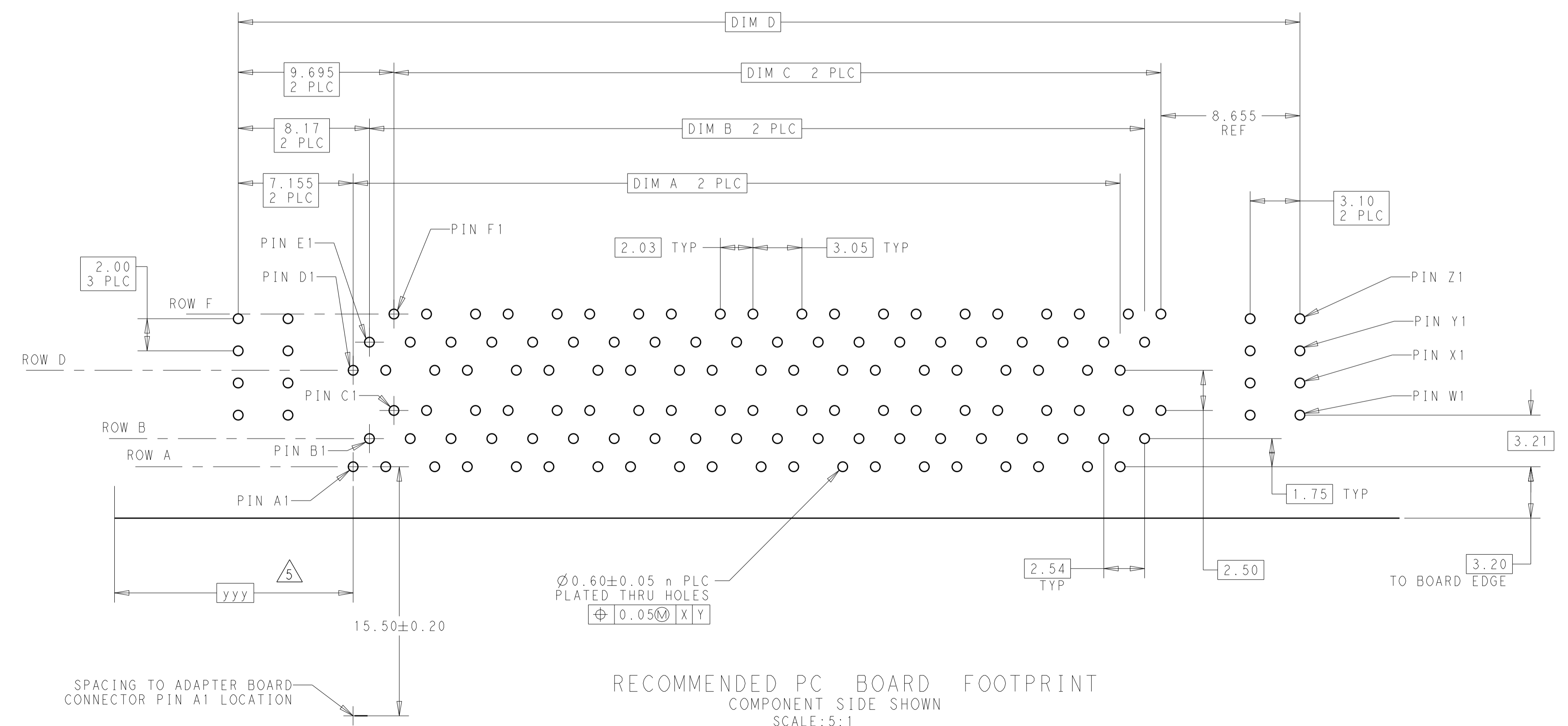
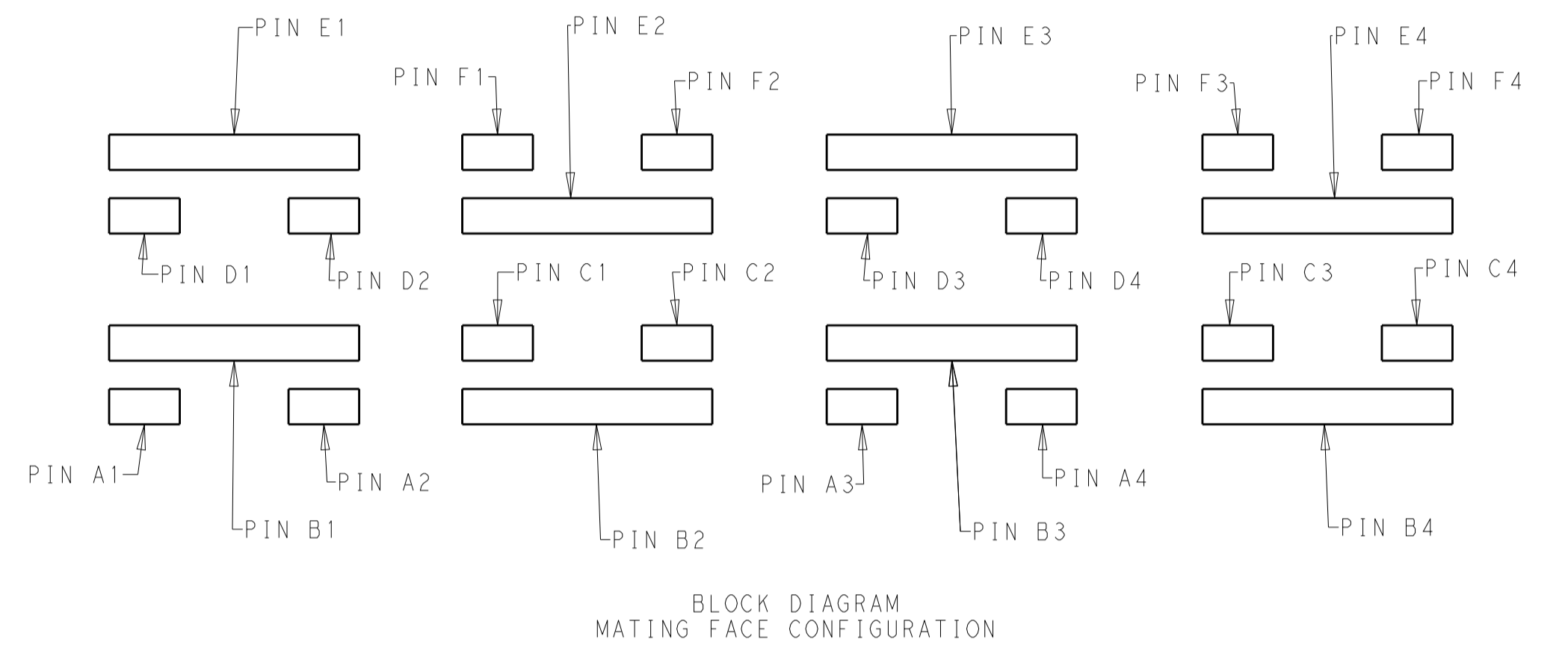
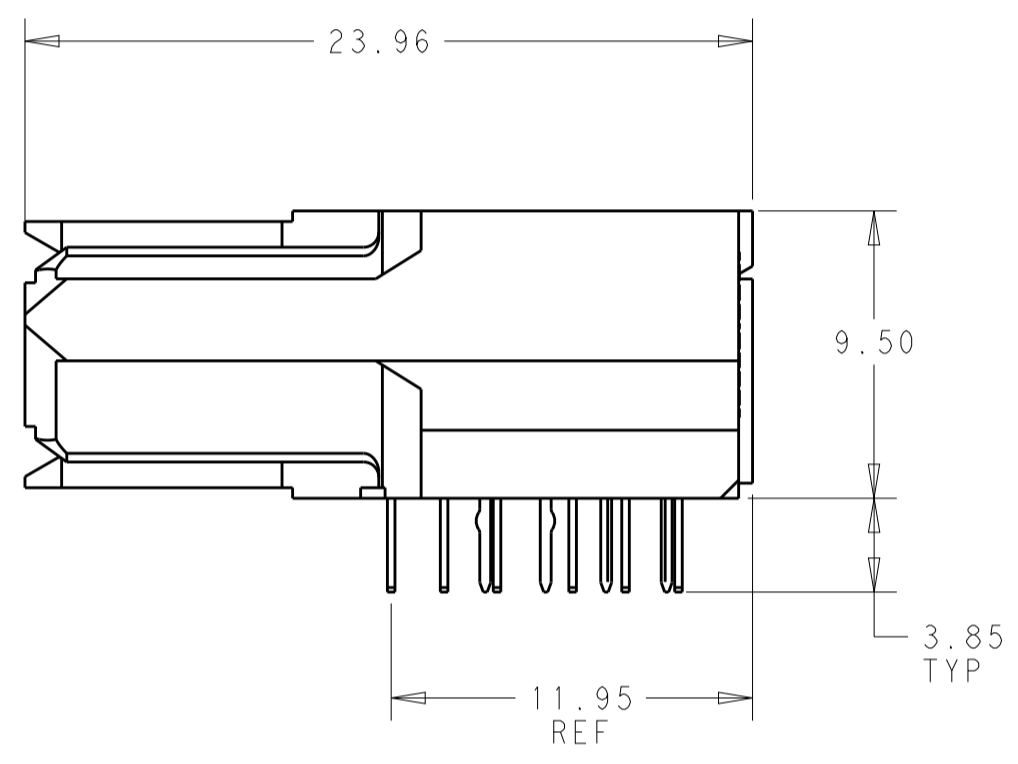
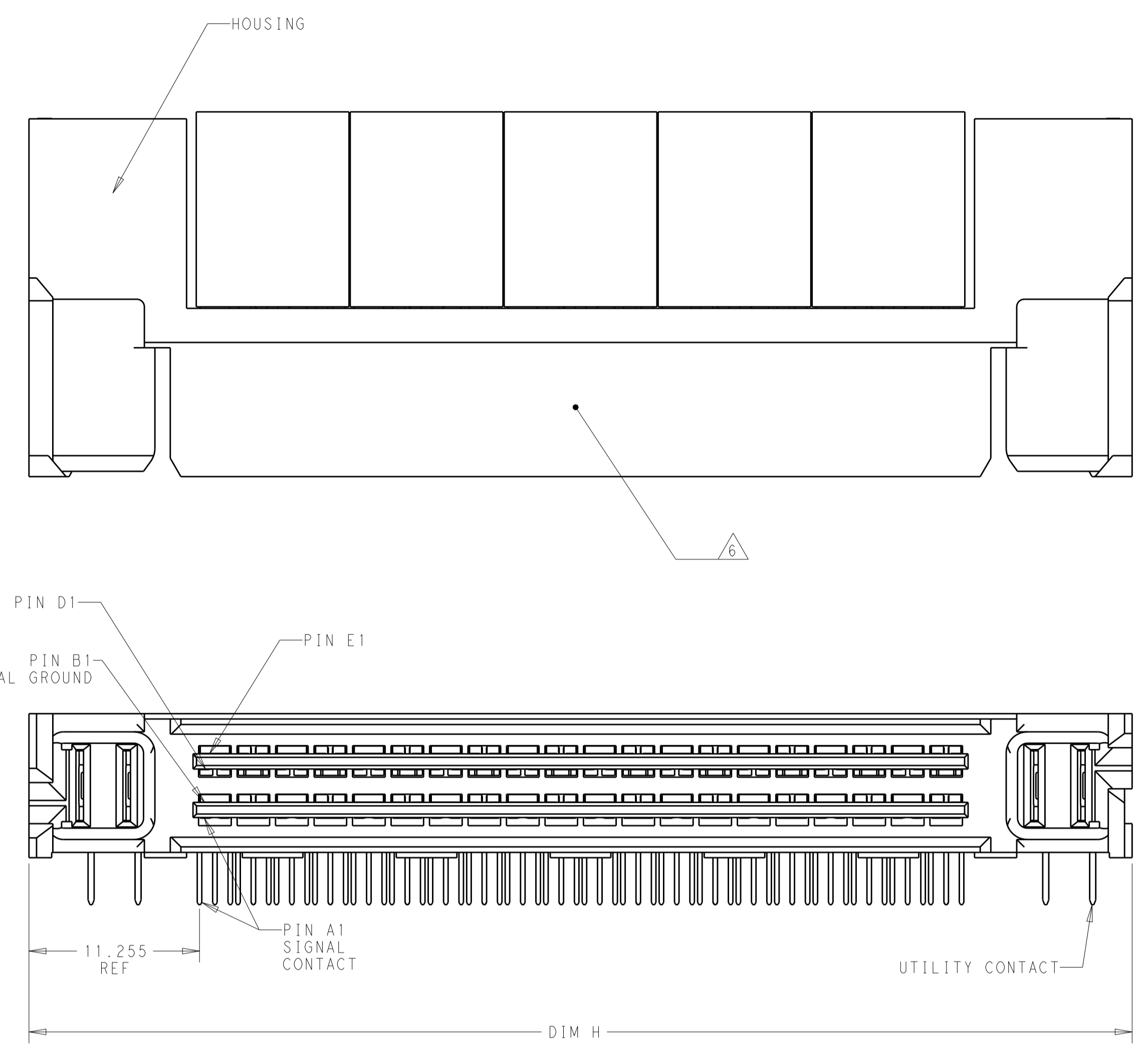


REVISIONS				
P.	LTN	DESCRIPTION	DATE	APVD
B		REVISED PER ECO-10-012356	16DEC2010	CJV EJB
C		ECO-15-006497	18APR2016	LL SH

- △ HOUSINGS; POLYESTER, UL 94V-0 RATED, NATURAL  
 SIGNAL AND SIGNAL GROUND CONTACTS: COPPER ALLOY  
 UTILITY CONTACTS: PHOSPHOR BRONZE
- △ UTILITY CONTACTS: 0.76µm MIN GOLD IN CONTACT AREA,  
 2.54µm MIN TIN ON PCB TAILS, OVER 1.27µm MIN NICKEL OVER ALL.  
 SIGNAL AND SIGNAL GROUND CONTACTS: 0.76µm MIN GOLD IN CONTACT AREA,  
 2.54µm MIN TIN ON PCB TAILS, OVER 1.27µm MIN NICKEL OVER ALL.
- 3. ROWS A, C, D, AND F ARE SIGNAL CONTACTS. ROWS B AND E ARE SIGNAL GROUND CONTACTS.
- △ CONNECTOR SIZE CAN ACCOMMODATE INDICATED QUANTITY OF DIFFERENTIAL PAIRS.
- △ DIMENSIONS PER CUSTOMER BOARD LAYOUT.
- △ COMPANY LOGO IN APPROXIMATE AREA SHOWN.
- △ OBSOLETE PART.



△	232	113.44	106.74	88.90	88.30	72	6367680-9
△	208	103.28	96.58	78.74	78.23	64	6367680-8
△	184	93.12	86.42	68.58	68.07	56	6367680-7
△	160	82.96	76.26	58.42	57.91	48	6367680-6
△	136	72.80	66.10	48.26	47.75	40	6367680-5
	112	62.64	55.94	38.10	37.59	32	6367680-4
	88	52.48	45.78	27.94	27.43	24	6367680-3
	64	42.32	35.62	17.78	17.27	16	6367680-2
△	40	32.16	25.46	7.62	7.11	8	6367680-1
	N	H DIM	D DIM	B DIM	A OR C DIM	DIFF PAIRS △	PART NUMBER

THIS DRAWING IS A CONTROLLED DOCUMENT. DWN C. VALENTIN 16DEC2010  
 CHK E. BRIANT 16DEC2010  
 APVD E. BRIANT 16DEC2010

**STE** TE Connectivity

NAME: Z-DOK+ HOST BRD CONNECTOR ASSEMBLY, 8-72 SIGNAL DIFF. PAIR, 2 UTILITY CONTACTS PER SIDE, 3.85mm TAILS

PRODUCT SPEC: 108-1985  
 APPLICATION SPEC: 114-13068

SIZE: A1 00779 C=6367680  
 WEIGHT: -  
 CUSTOMER DRAWING

SCALE: 4:1 SHEET 1 OF 1 REV C

单击下面可查看定价，库存，交付和生命周期等信息

[>>TE Connectivity\(泰科\)](#)