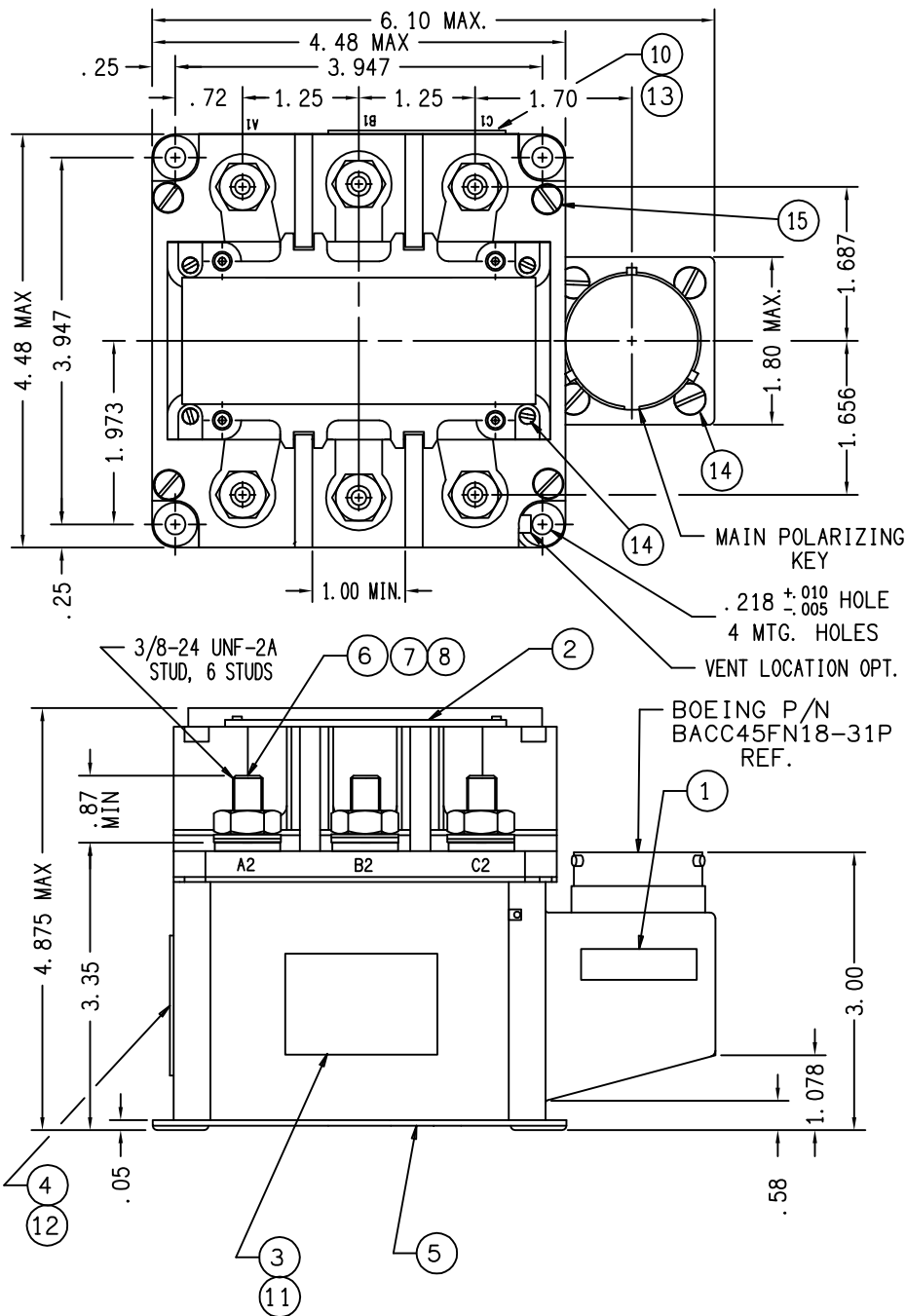


- NOTES:  
 1. TERMINAL COVER ITEM NO. 2 REMOVED FROM TOP VIEW.  
 2. MOUNTING SURFACE SHALL PROVIDE ELECTRICAL GROUND.  
 3. FAA/PMA PLATE (AND OVERLAY) NOT REQUIRED ON UNITS SUPPLIED TO ORIGINAL EQUIPMENT MANUFACTURERS.

FAA-PMA

REVISIONS		RELEASED	APPROVED
REV	DESCRIPTION	DATE	
R 24520	ADD ITEMS 11 THRU 15	93/09/07	WS
T 25900	ADDED DASH NOS TO FIND NOS 11, 12, & 13	94/04/22	RS
U 35452	NOTE 3 ADDED	98/05/04	RS
V 39518	"BOEING" ADDED TO VIB SPEC & CONNECTOR P/N, 4.48 MAX WAS 4.45, 4.875 WAS 5.025	99/05/11	RS
W 12-003359	MAX WEIGHT WAS 3.85 LBS	12/01/27	CB



CONSTRUCTION

MAIN CONTACTS  
 CONFIGURATION  
 VOLTAGE  
 CURRENT RES.  
 RES.

GASKET SEALED (VENTED)

3 PST N.O. (DOUBLE BREAK)  
 115/200 VOLTS FREQ. 400 HZ  
 260 AMP 115/200 VAC CONTINUOUS  
 350 AMP 115/200 VAC 15 SEC  
 2000 AMP

INTERRUPT  
 AUXILIARY CONTACTS  
 CONFIGURATION  
 VOLTAGE  
 CURRENT

5 SPST N.O., 9 SPST N.C.  
 AMPS. 1 AMP 7.5 AMP  
 VOLTS 240 VAC 400 HZ 30 VDC

COIL DATA  
 DUTY CYCLE  
 OPERATING VOLTAGE  
 PICKUP  
 PICKUP MAX.  
 NOMINAL  
 DROPOUT

CONTINUOUS (ECONOMIZING)  
 18 TO 30 VDC  
 18 VOLTS  
 28 VOLTS  
 1 TO 7 VDC

RESISTANCE PICKUP  
 HOLD

10 OHMS MIN.  
 50 OHMS MIN.

ENVIRONMENTAL DATA  
 OPERATING TEMP.  
 VIBRATION

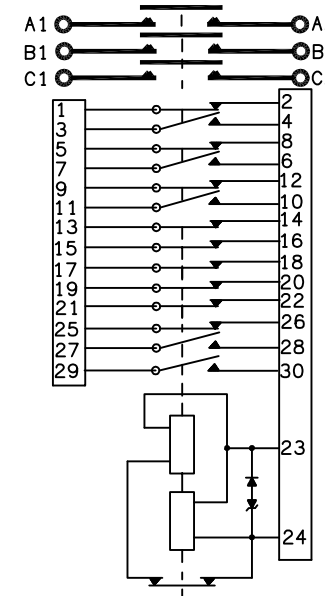
-54°C MIN. +71°C MAX.  
 PER BOEING D6-13014, AREA 1. CAT. A

SHOCK  
 ALTITUDE  
 OPERATING TIME  
 PICKUP  
 DROPOUT

PER MIL-E-5272 PROC. V  
 50,000 FT. MAXIMUM  
 50 MSEC MAX. AT 18VDC TO 30VDC  
 50 MSEC MAX. AT 30VDC

LIFE ELECTRICAL  
 LIFE MECHANICAL  
 WEIGHT MAX.

50,000 CYCLES MIN.  
 100,000 CYCLES MIN.  
 4.00 LBS. MAX



15	AR	54100-001	SILASTIC			
14	AR	54102-001	GLYPTOL			
13	1	39529-024	OVERLAY-FAA/PMA			
12	1	39529-049	OVERLAY-WIRING DIAGRAM			
11	1	39529-009	OVERLAY-NAME PLATE			
10	1	58400-029	PLATE-FAA/PMA			
9						
8	6	51807-230	WASHER-LOCK, .375 X.687C .094 SPT	MS35338-141		ST. STEEL
7	6	51704-010	WASHER, .390 X.625 X.032 FL.	AN960C616L		ST. STEEL
6	6	50407-370	NUT, 3/8-24 X .562 X .328	MS51972-3		ST. STEEL
5	1	36909-010	CONTACTOR ASSEMBLY-PRI.			
4	1	36908-001	PLATE-WIRING DIAGRAM			
3	1	36907-001	PLATE-NAME			
2	2	36456-010	TERMINAL COVER			
1	1	25695-001	WARNING PLATE			

FIND NO	QTY REQD	PART OR IDENTIFYING NO	NOMENCLATURE OR DESCRIPTION	FSCM NO	DRAWING OR SPECIFICATION	MATERIAL OR NOTE
			UNLESS OTHERWISE SPECIFIED DIMENSIONS ARE IN INCHES TOLERANCES ON			
			2 PL DEC. 3 PL DEC. ANGLES			
			± .06 ± .010 ± 1°			

REF BOEING 60B40021-3		<p>Hartman Division, 175 N. DIAMOND STREET MANSFIELD, OHIO 44902</p>
DR BY	RLS 99/05/27	
CHK BY	RS 99/05/27	<p>CONTACTOR-3PST N. O.                  260 AMP 115/200V 400HZ<sub>093</sub></p>
ENGR	WER 99/05/27	
MFG	MB 99/05/28	
SIZE	CODE IDENT	DWG NO.
C	74063	B-429W
SCALE	NONE SHEET	REF TE P/N 1616005-6

单击下面可查看定价，库存，交付和生命周期等信息

[>>TE Connectivity\(泰科\)](#)