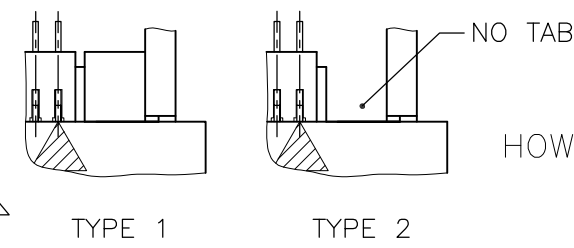
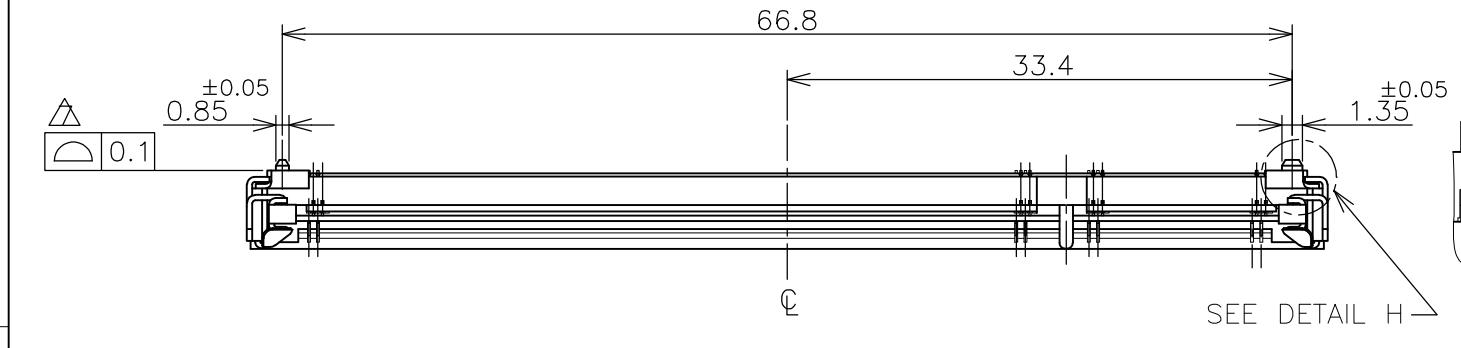
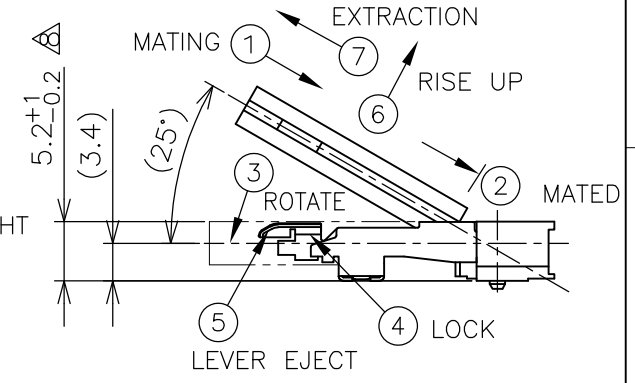
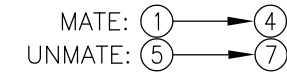


THIS DRAWING IS UNPUBLISHED. RELEASED FOR PUBLICATION NOV. 2001.
 © COPYRIGHT 2001 By - ALL RIGHTS RESERVED.

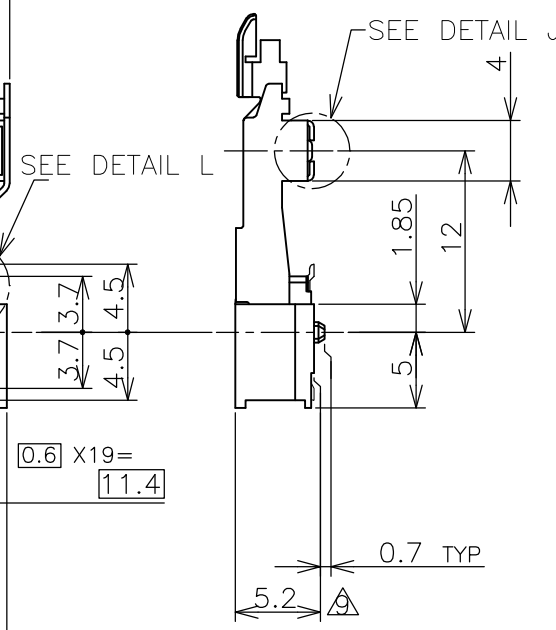
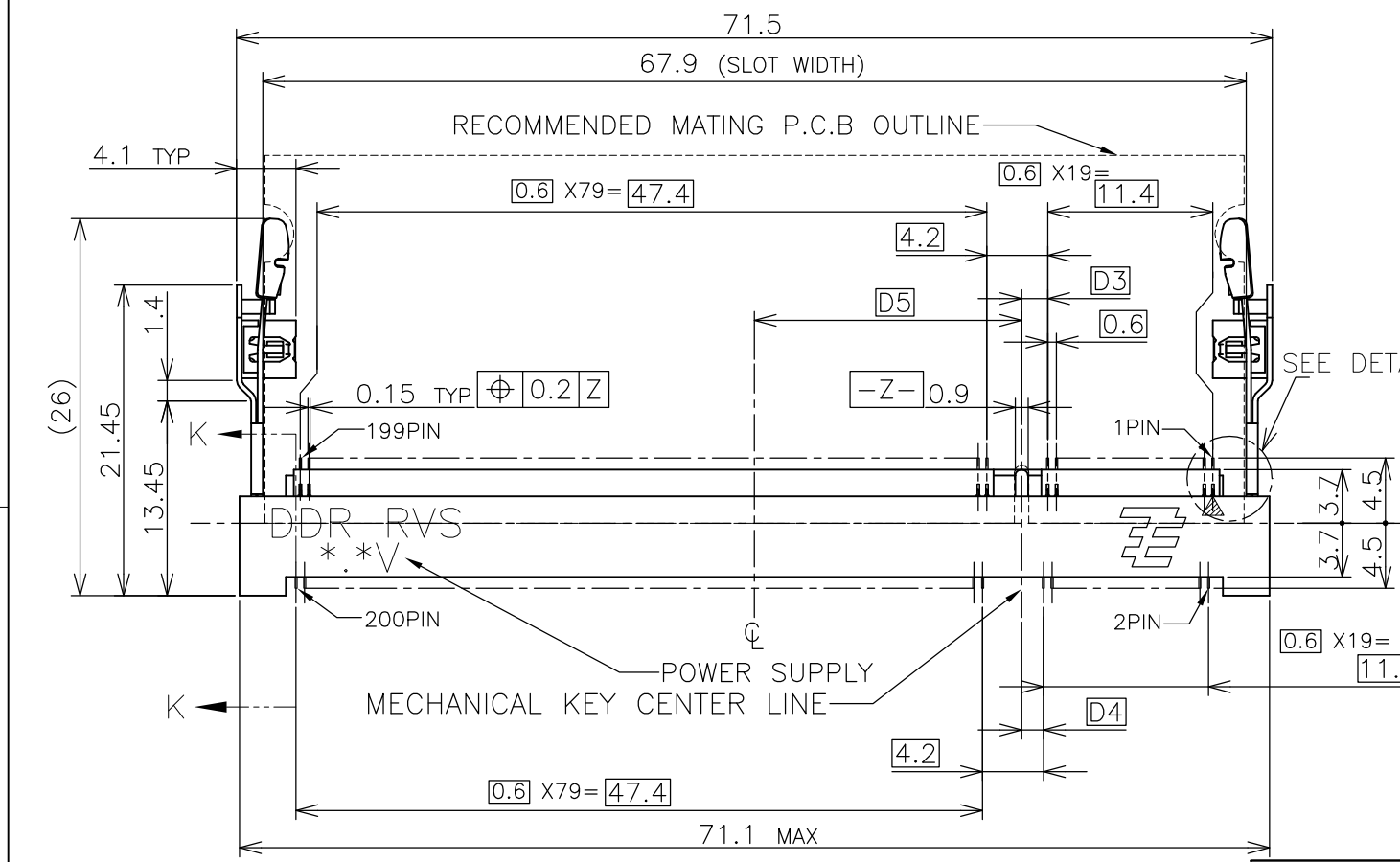
LOC		DIST		REVISIONS			
ES	/	P	LTR	DESCRIPTION	DATE	DWN	APVD
			M2	REVISED PER ECO-11-005033	26MAR11	RK	HMR



HOW TO MATE AND UNMATE

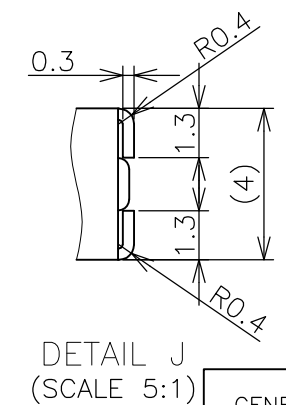
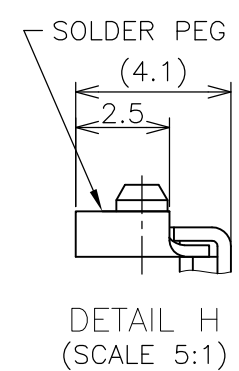
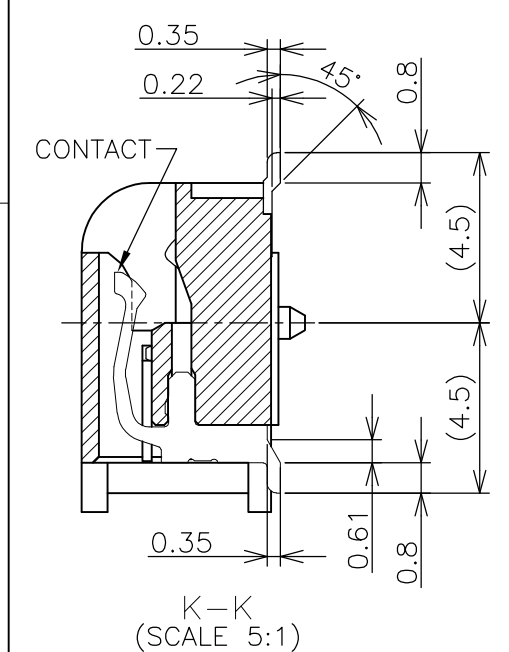


DETAIL L (SCALE 5:1)



(APPLIED TO SHEET 1-2)

- MATERIAL ; HOUSING: HIGH TEMPERATURE THERMO PLASTIC UL94V-0
CONTACT: COPPER ARROY
LOCK LEVER: STAINLESS STEEL
SOLDER PEG: COPPER ARROY
- FINISH ; CONTACT AREA: GOLD FLASH ON 0.0013MIN ALL OVER NICKEL.
SOLDERING AREA: GOLD FLASH PLT.
SOLDER PEG: TIN PLATING.
- MECHANICAL KEY POSITION OF CONNECTOR SEE TABLE.
- TOLERANCES NON-CUMULATIVE.
- NOT TO SCALE.
- INSIDE MUST BE RESIST COAT EXCEPT SOLDER PATTERN.
- COPLANARITY : 0.1 MAX.
- THE FLOATING VALUE BY SOLDERING IS NOT INCLUDED.
- NOT MATING CONDITION.
- IF THE MODULE DOESN'T INSERT AND LOCK IN THE LATCH SMOOTHLY, OPEN WIDE BOTH LATCHES BY MANUAL. AND THE MODULE MUST BE INSERTED AND LOCKED IN THE LATCH.
- FINISH ; CONTACT AREA: GOLD PLATING 0.00076 MIN ON 0.0013MIN ALL OVER NICKEL.
SOLDERING AREA: GOLD FLASH PLT.
SOLDER PEG: TIN PLATING.



GENERAL TOLERANCE
 10 ≥ : ±0.2
 30 ≥ > 10 : ±0.25
 100 ≥ > 30 : ±0.3
 ANGLES : ±3°

TYPE 1	△	AVAILABLE	—H—	2.5V (DDR1)	18.45	1.5	1.8	200	1473006-5
TYPE 2	△	AVAILABLE	BOSSLESS	1.8V (DDR2)	17.55	2.4	2.7	200	1-1473006-4
TYPE 2	△	AVAILABLE	—H—	1.8V (DDR2)	17.55	2.4	2.7	200	1473006-4
TYPE 1	△	AVAILABLE	HOUSING COLOR:GRAY BOSSLESS	2.5V (DDR1)	18.45	1.5	1.8	200	6-1473006-1
TYPE 1	△	AVAILABLE	BOSSLESS	2.5V (DDR1)	18.45	1.5	1.8	200	1-1473006-1
TYPE 1	△	AVAILABLE	—H—	2.5V (DDR1)	18.45	1.5	1.8	200	1473006-1
TAB TYPE	FINISH	TOOLING STATUS	REMARK	POWER SUPPLY (TYPE)	D5	D4	D3	POS	PART NO.

THIS DRAWING IS A CONTROLLED DOCUMENT.

DWN	B.WONG	20JUL10
CHK	C.WANG	20JUL10
APVD	S.YAO	20JUL10

PRODUCT SPEC: 108-5701

APPLICATION SPEC: CUSTOMER DRAWING

WEIGHT: 4.7g

SIZE: A3

CAGE CODE: 00779

DRAWING NO: C-1473006

RESTRICTED TO: -

SCALE: 2:1

SHEET: 1 OF 4

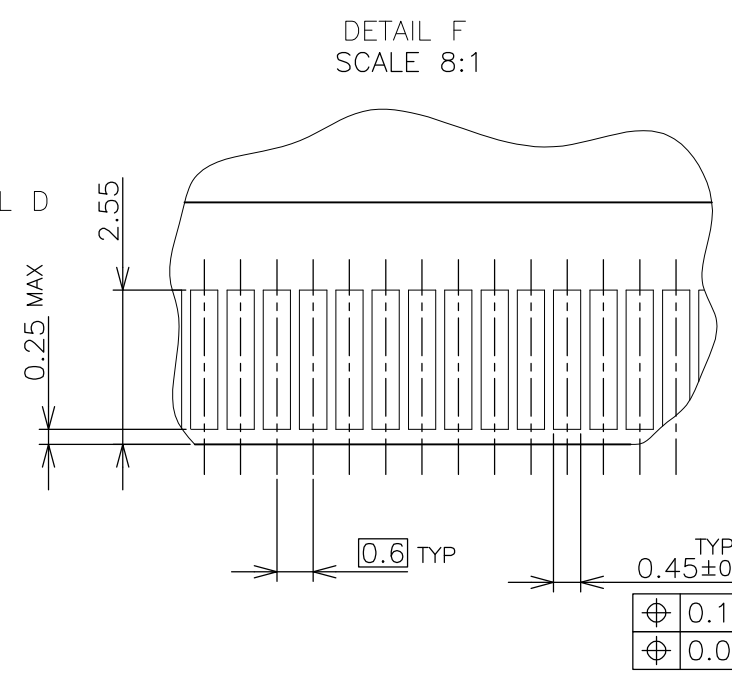
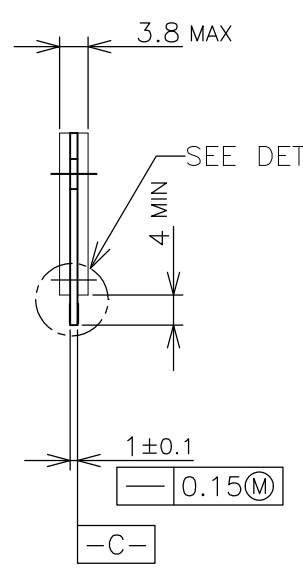
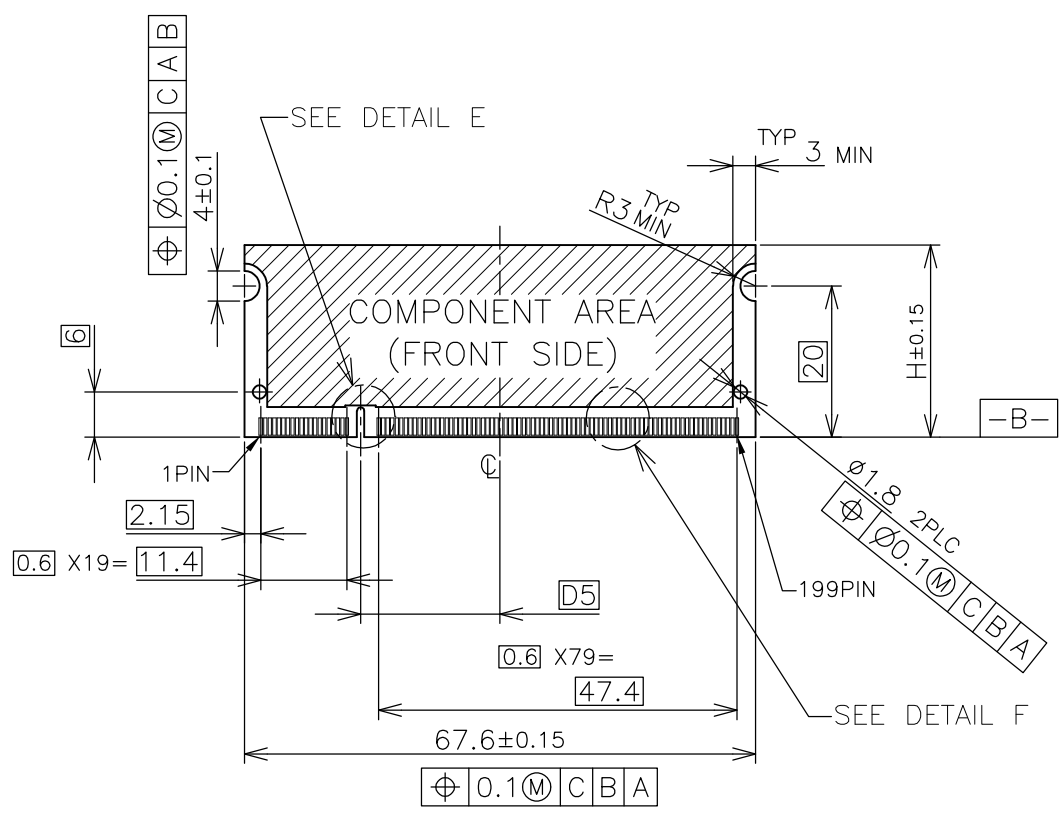
REV: M2

STE TE Connectivity

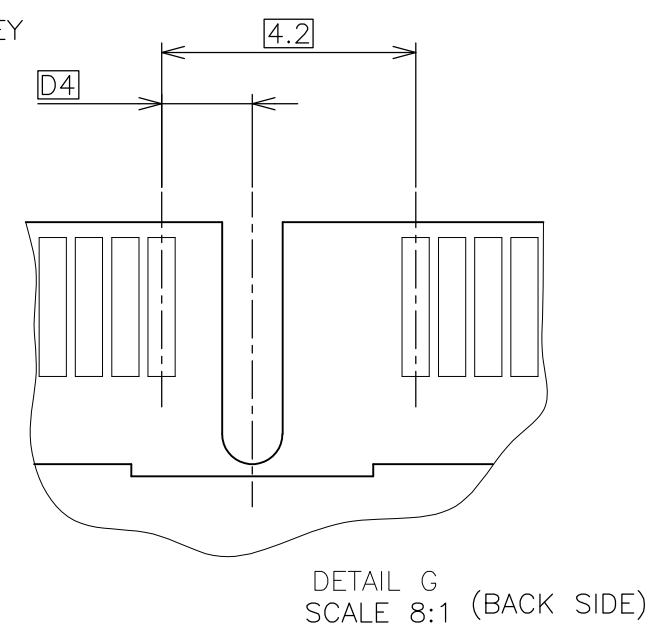
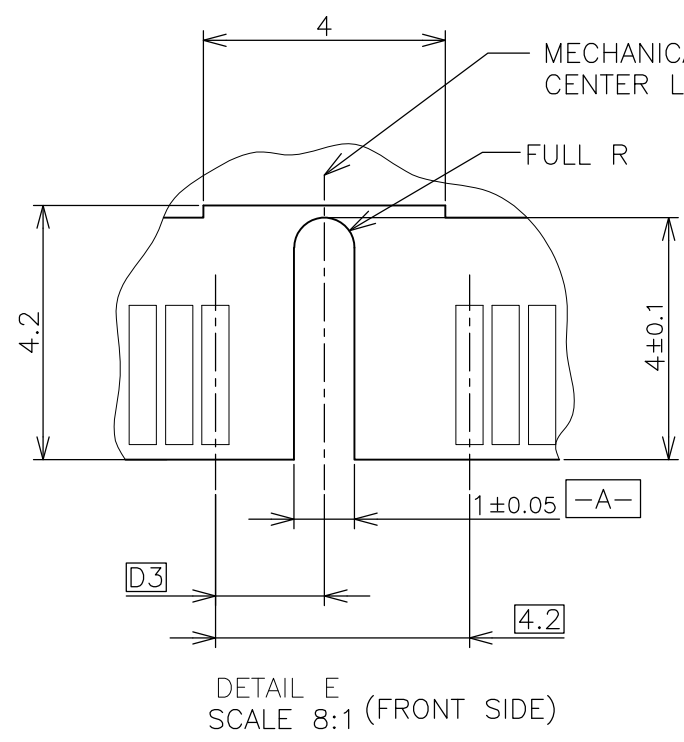
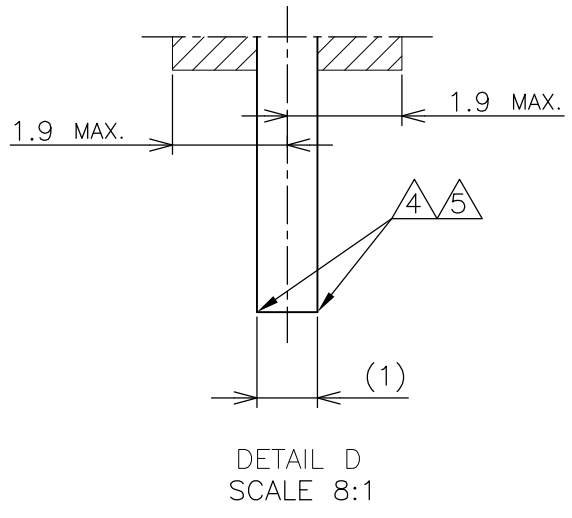
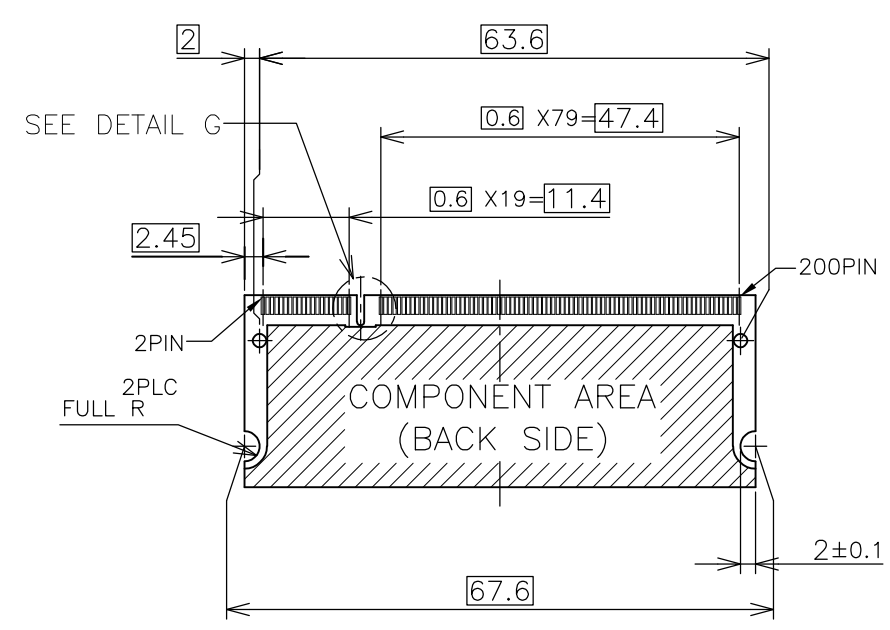
DDR1 & DDR2 SODIMM SOCKET
0.6mm PITCH 200POS
STANDARD PROFILE REVERSE TYPE

THIS DRAWING IS UNPUBLISHED. RELEASED FOR PUBLICATION NOV ,2001.
 © COPYRIGHT 2001 By - ALL RIGHTS RESERVED.

LOC	DIST	REVISIONS			
P	LTR	DESCRIPTION	DATE	DWN	APVD
ES		SEE SHEET 1	-	-	-



- (APPLIED TO SHEET 3)
1. TOLERANCES ON ALL DIMENSIONS ±0.15 UNLESS OTHERWISE SPECIFIED.
 2. P.C. BOARD THICKNESS APPLIES ACROSS TABS AND INCLUDES PLATING AND/OR METALIZATION.
 3. FINISH OF PAD : GOLD PLATING 0.00076 MIN. OVER Ni PLATING 0.002MIN.
- NO BURR
 CHAMFER 0.25 MAX x 45° IF EXIST.



RECOMMENDED MATING P.C.B CONFIGURATION

THIS DRAWING IS A CONTROLLED DOCUMENT.		DWN
DIMENSIONS: MM		CHK
TOLERANCES UNLESS OTHERWISE SPECIFIED:		APVD
0 PLC	±	PRODUCT SPEC
1 PLC	±	APPLICATION SPEC
2 PLC	±	WEIGHT
3 PLC	±	
4 PLC	±	
ANGLES	±	
FINISH		
MATERIAL		

31.75	1.8V	17.55	2.4	2.7
25.4	2.5V	18.45	1.5	1.8
H	POWER SUPPLY	D5	D4	D3

STE TE Connectivity

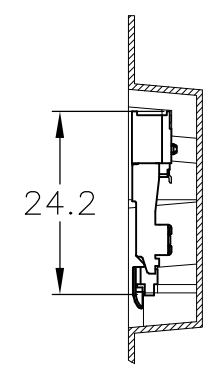
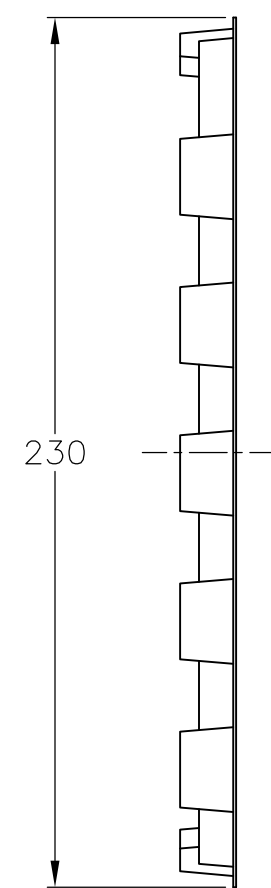
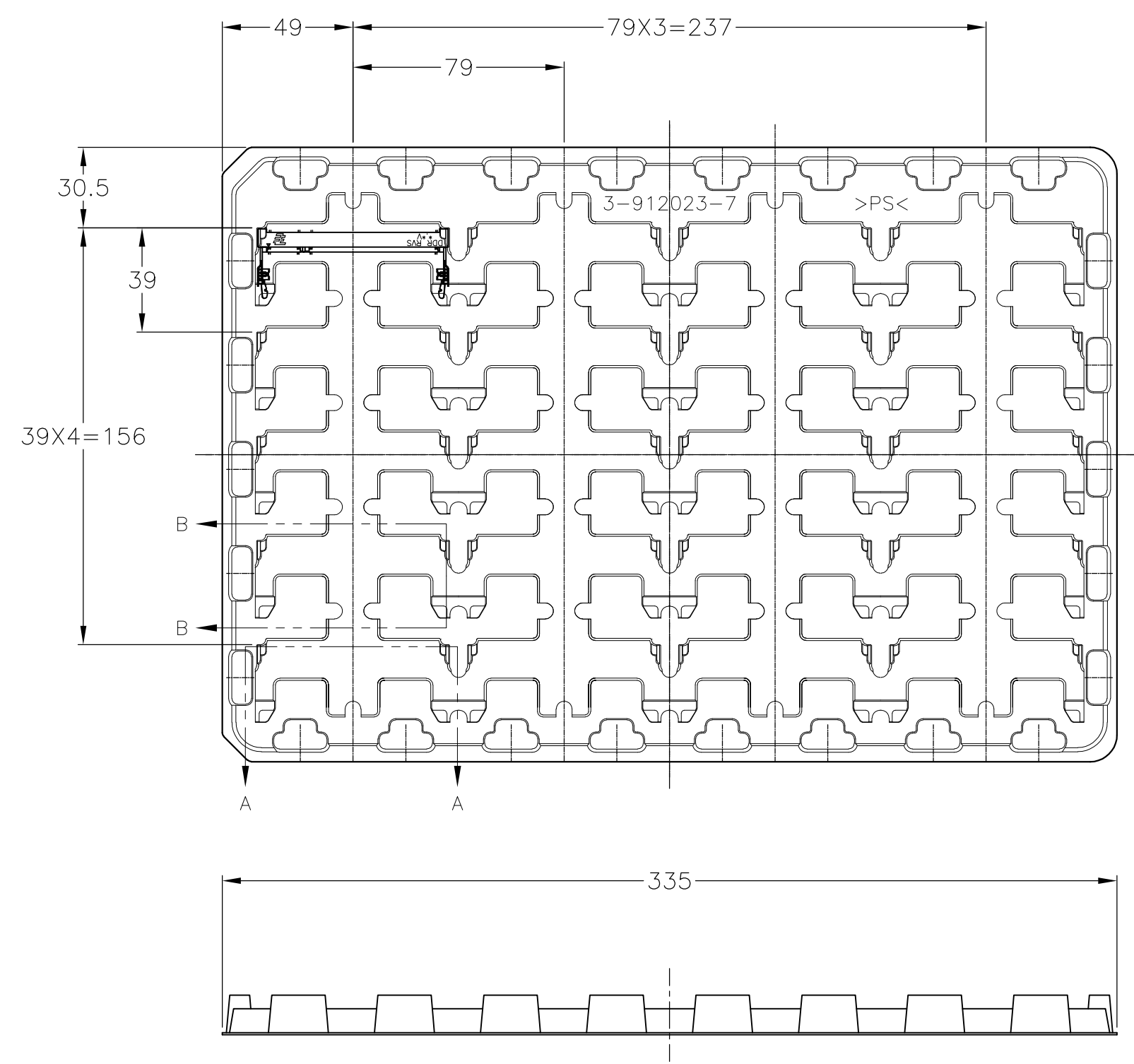
NAME: DDR1 & DDR2 SODIMM SOCKET
 0.6mm PITCH 200POS
 STANDARD PROFILE REVERSE TYPE

SIZE: A3 CAGE CODE: 00779 DRAWING NO: C-1473006 RESTRICTED TO: -

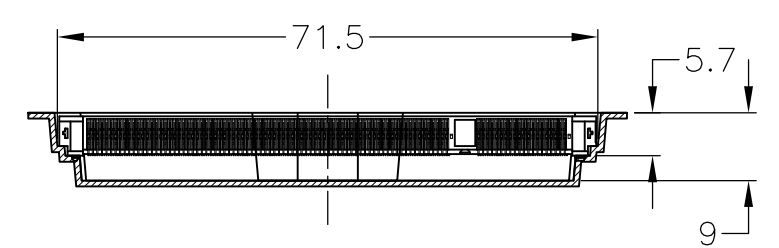
CUSTOMER DRAWING SCALE: 2:1 SHEET: 3 OF 4 REV: M2

THIS DRAWING IS UNPUBLISHED. RELEASED FOR PUBLICATION NOV ,2001.
 © COPYRIGHT 2001 By - ALL RIGHTS RESERVED.

LOC	DIST	REVISIONS			
P	LTR	DESCRIPTION	DATE	DWN	APVD
ES		SEE SHEET 1	-	-	-



B-B
SCALE 2:1



A-A
SCALE 2:1
(180DEG. ROTATE)

2.5V (DDR1)	20EA/TRAY	1473006-5
1.8V (DDR2)	20EA/TRAY	1-1473006-4
1.8V (DDR2)	20EA/TRAY	1473006-4
2.5V (DDR1)	20EA/TRAY	6-1473006-1
2.5V (DDR1)	20EA/TRAY	1-1473006-1
2.5V (DDR1)	20EA/TRAY	1473006-1
POWER SUPPLY (TYPE)	QTY	P/N

- (APPLIED TO SHEET 4)
1. THE DIRECTION OF EACH CONNECTOR ON A TRAY IS REFERRED TO THIS DRAWING.
 2. GENERAL TOLERANCE: ±0.5

THIS DRAWING IS A CONTROLLED DOCUMENT.		DWN	TE Connectivity NAME DDR1 & DDR2 SODIMM SOCKET 0.6mm PITCH 200POS STANDARD PROFILE REVERSE TYPE					
DIMENSIONS: MM		CHK				SIZE	CAGE CODE	DRAWING NO
TOLERANCES UNLESS OTHERWISE SPECIFIED: 0 PLC ± 1 PLC ± 2 PLC ± 3 PLC ± 4 PLC ± ANGLES ± FINISH ±		APVD				A3 00779 C-1473006		
MATERIAL		PRODUCT SPEC				RESTRICTED TO		
		APPLICATION SPEC	CUSTOMER DRAWING					
		WEIGHT	SCALE 1:2 SHEET 4 OF 4 REV M2					

单击下面可查看定价，库存，交付和生命周期等信息

[>>TE Connectivity\(泰科\)](#)