

THIS DRAWING IS UNPUBLISHED.

RELEASED FOR PUBLICATION

© COPYRIGHT - TE Connectivity Ltd.

ALL RIGHTS RESERVED.

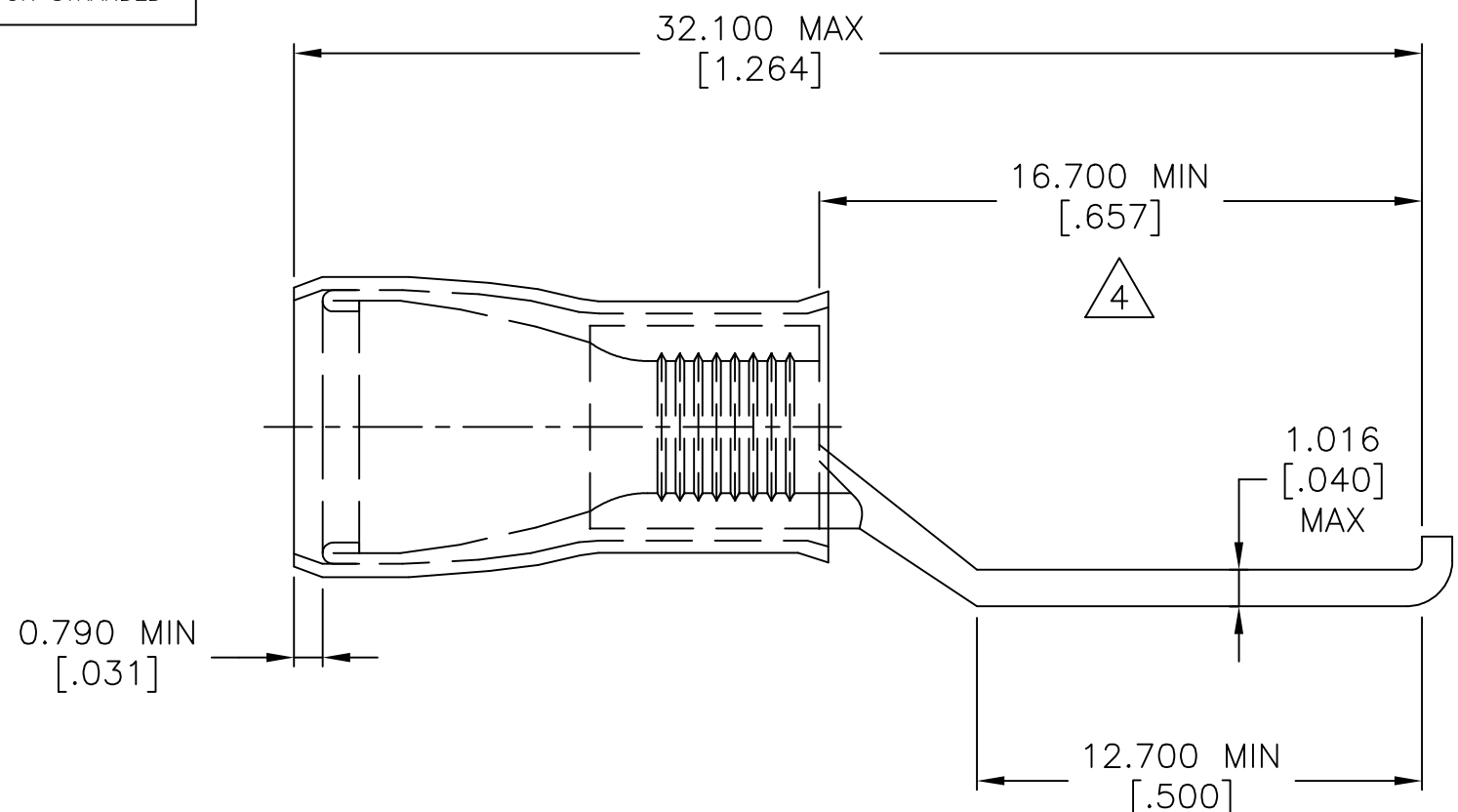
REVISIONS

P	LTR	DESCRIPTION	DATE	DWN	APVD
	D2	REV PER ECR 08-013956	04JUN08	JR	TM
	D3	REVISED PER ECO-18-002107	13FEB2018	RS	DR

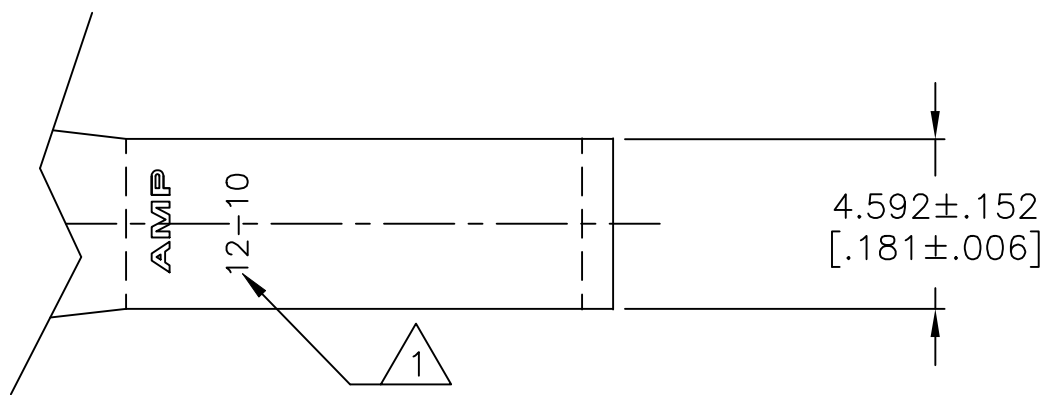
**AMP**  
WIRE RANGE

---

12-10 AWG  
SOLID OR STRANDED



- 1 STAMP AMP 12-10, LOCATE APPROX AS SHOWN.
- 2 BODY - COPPER PER ASTM B-152  
SLEEVE - COPPER PER ASTM B-152  
INSULATION - NYLON
- 3 BODY - TIN PLATE PER ASTM B-545  
SLEEVE - TIN PLATE PER ASTM B-545  
INSULATION - COLOR , BLACK
- 4 APPLIES FROM EDGE OF METAL WIRE BARREL TO FLANGE.
- 5 WIRE INSULATION  
ø3.800-ø6.400[ø.149-ø.252]
- 6 NOTE DELETED
- 7 NOTE DELETED



500	LOOSE PC	151471
QTY	DESCRIPTION	PART NO

**AMP INCORPORATED**  
**CUSTOMER SERVICE SYSTEMS**

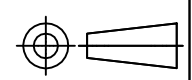
MAX RECOMMENDED OPERATING TEMPERATURE:  
105°C[221°F]

VOLTAGE RATING:  
300V MAX

CIRCULAR MIL AREA:  
2.62-6.64mm²[5180-13100]  
SOLID OR STRANDED

THIS DRAWING IS A CONTROLLED DOCUMENT.

DIMENSIONS:  
mm [INCHES]



TOLERANCES UNLESS OTHERWISE SPECIFIED:

0 PLC ± -  
1 PLC ± -  
2 PLC ± 0.127[.005]  
3 PLC ± -  
4 PLC ± -  
ANGLES ± -  
FINISH

MATERIAL - 2

DWN	JR RUTH	23FEB2006
CHK	T MICHIELUTTI	23FEB06
APVD	T MICHIELUTTI	23FEB06
PRODUCT SPEC	-	
APPLICATION SPEC	114-2157	
WEIGHT	-	
CUSTOMER DRAWING		



NAME			
TERMINAL, LIPPED BLADE, P.I.D.G., WIRE SIZE: 12-10 AWG			
SIZE	CAGE CODE	DRAWING NO	RESTRICTED TO
A3	00779	C=151471	-
SCALE 5:1		SHEET 1 OF 1	REV D3

FOR ADDITIONAL PRODUCT INFORMATION OR COPIES OF DRAWINGS AND TECHNICAL DOCUMENTS	PRODUCT INFORMATION CENTER 1-800-522-6752
FOR APPLICATION TOOLING INFORMATION	TOOLING ASSISTANCE CENTER 1-800-722-1111
FOR ORDER ENTRY	1-800-526-5142

THIS DRAWING IS A CONTROLLED DOCUMENT FOR AMP INCORPORATED. IT IS SUBJECT TO CHANGE AND THE CONTROLLING ENGINEERING ORGANIZATION SHOULD BE CONTACTED FOR THE LATEST REVISION.

单击下面可查看定价，库存，交付和生命周期等信息

[>>TE Connectivity\(泰科\)](#)