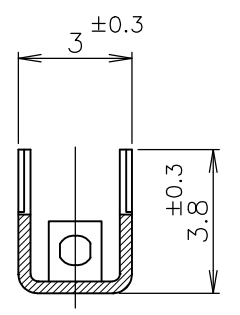
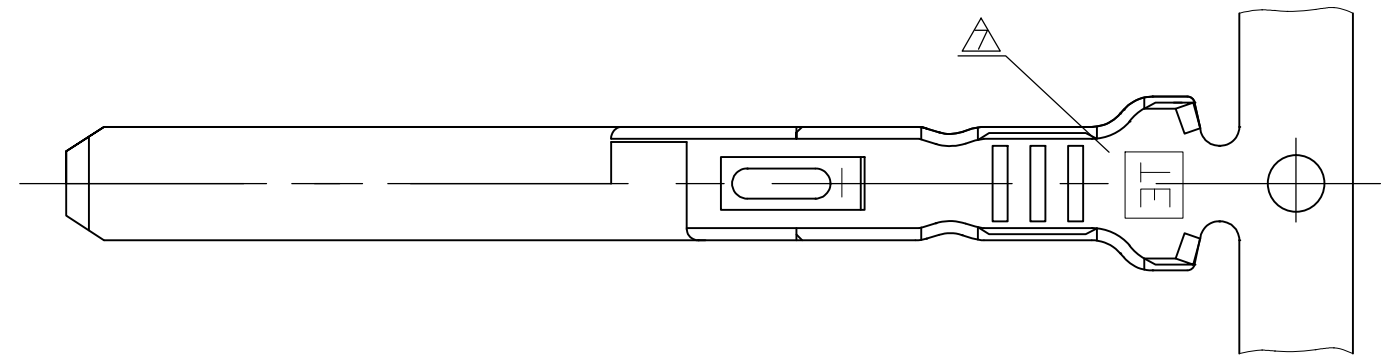


THIS DRAWING IS UNPUBLISHED. RELEASED FOR PUBLICATION  
 © COPYRIGHT BY TYCO ELECTRONICS CORPORATION. ALL RIGHTS RESERVED.

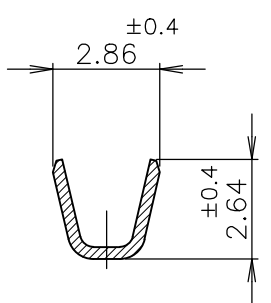
LOC	DIST	REVISIONS					
ES	00	P	LTR	DESCRIPTION	DATE	DWN	APVD
			B1	REVISED ECR-15-001258	10SEP2015	J.J	W.H



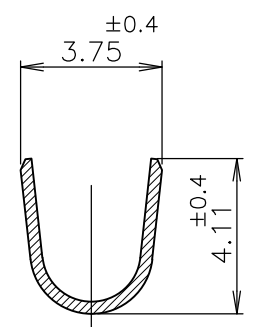
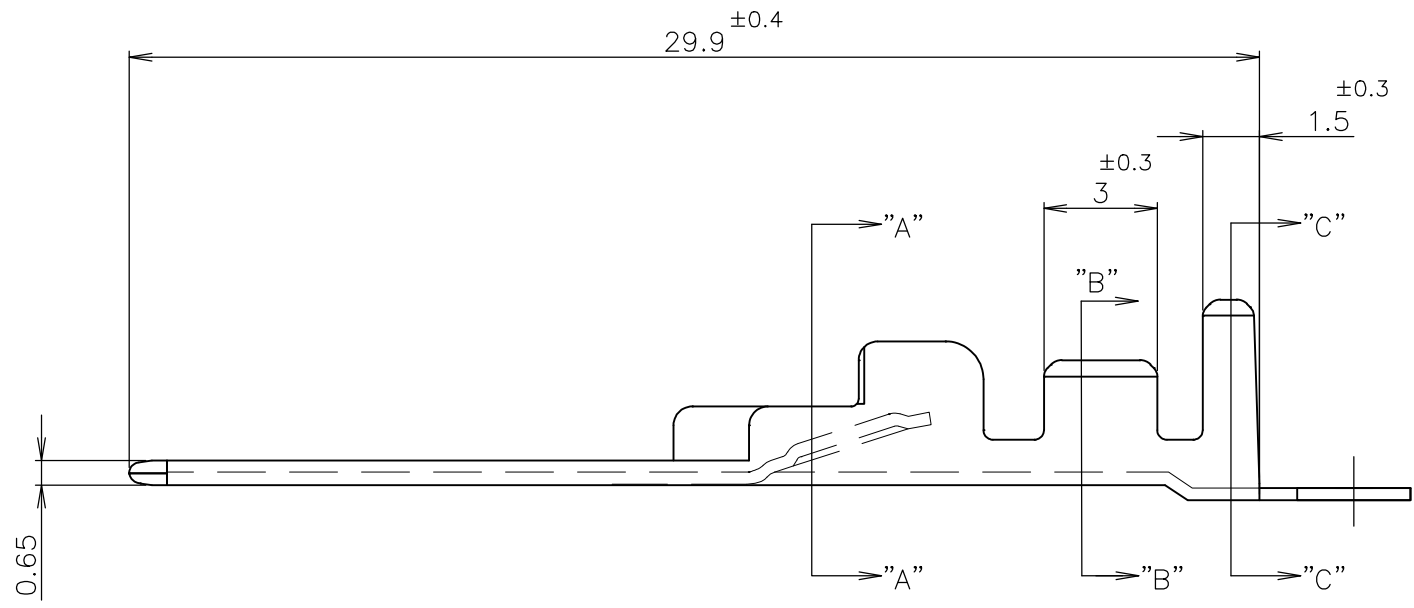
SECT "A"-"A"



- NOTES;
- ① MATERIAL : COPPER ALLOY.
  - ② FINISH : PRE-PLATED  
NICKEL PL ALL OVER  
CONTACT AREA : GOLD PL.  
BARREL AREA : TIN-LEAD PL.
  - ③ FINISH : TIN PL ALL OVER.
  - ④ FINISH : PRE-PLATED  
NICKEL PL ALL OVER  
CONTACT AREA : GOLD PL.  
BARREL AREA : TIN PL.
  - 5. USED CONNECTOR P/N : X-179325-X,X-179318-X  
: X-179388-X
  - △ GENERAL TOLERANCE  
10 ≥ : ±0.2  
30 ≥ >10: ±0.25  
100 ≥ >30: ±0.3  
ANGLES: ±3°
  - △ TRADE MARK: "TE"



SECT "B"-"B"



SECT "C"-"C"

	④	179321-3
	③	1-179321-2
OBSOLETE	②	179321-2
	FINISH	P/N

WIRE RANGE		INSULATION DIA	
0.5~1.25mm <sup>2</sup> (AWG16~20)		ø 1.6~2.8 mm	
DWN T.YAMAD 10MAR2003		Tyco Electronics Corporation Shanghai, P.R.China, 200233	
CHK Y.FUJIURA 08FEB94		NAME	
APVD Y.FUJIURA 08FEB94		PLUG TAB CONTACT HYBRID MINI DRAWER CONNECTOR	
PRODUCT SPEC		SIZE	CAGE CODE
APPLICATION SPEC		114-5182	00779
WEIGHT		DRAWING NO	RESTRICTED TO
CUSTOMER DRAWING		C-179321	-
SCALE 1:1		SHEET 1 OF 1	REV B1

THIS DRAWING IS A CONTROLLED DOCUMENT.	
DIMENSIONS: MM	TOLERANCES UNLESS OTHERWISE SPECIFIED:
	0 PLC ±
	1 PLC ±
	2 PLC ±
	3 PLC ±
	4 PLC ±
	ANGLES ±
MATERIAL	FINISH
①	② ③ ④

单击下面可查看定价，库存，交付和生命周期等信息

[>>TE Connectivity\(泰科\)](#)