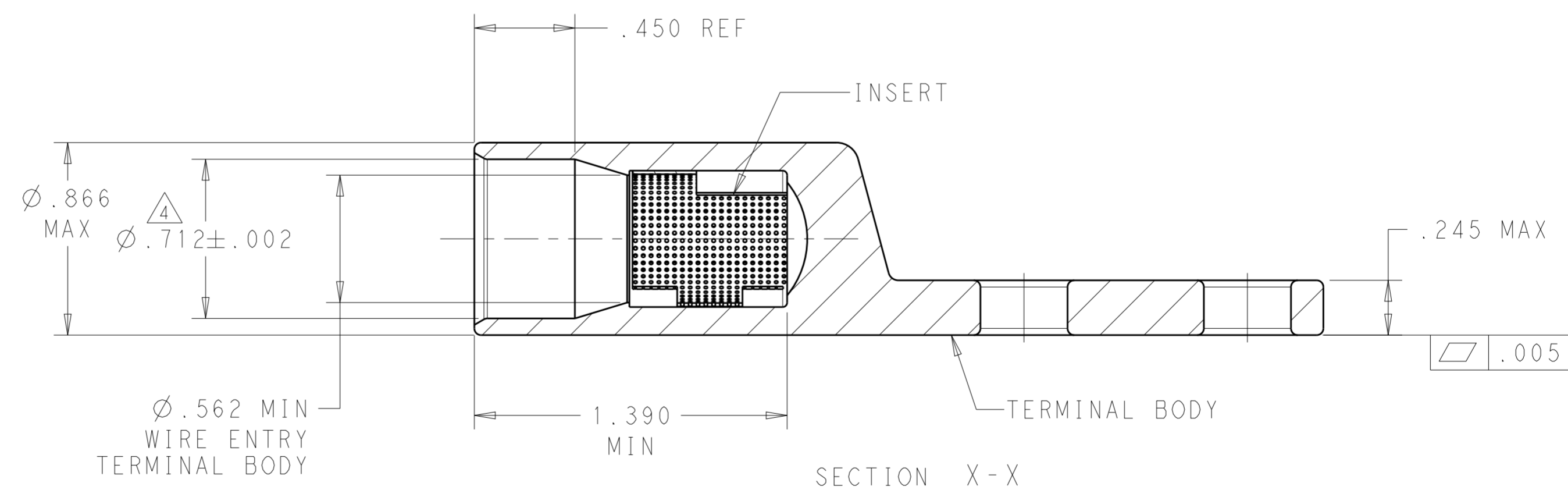
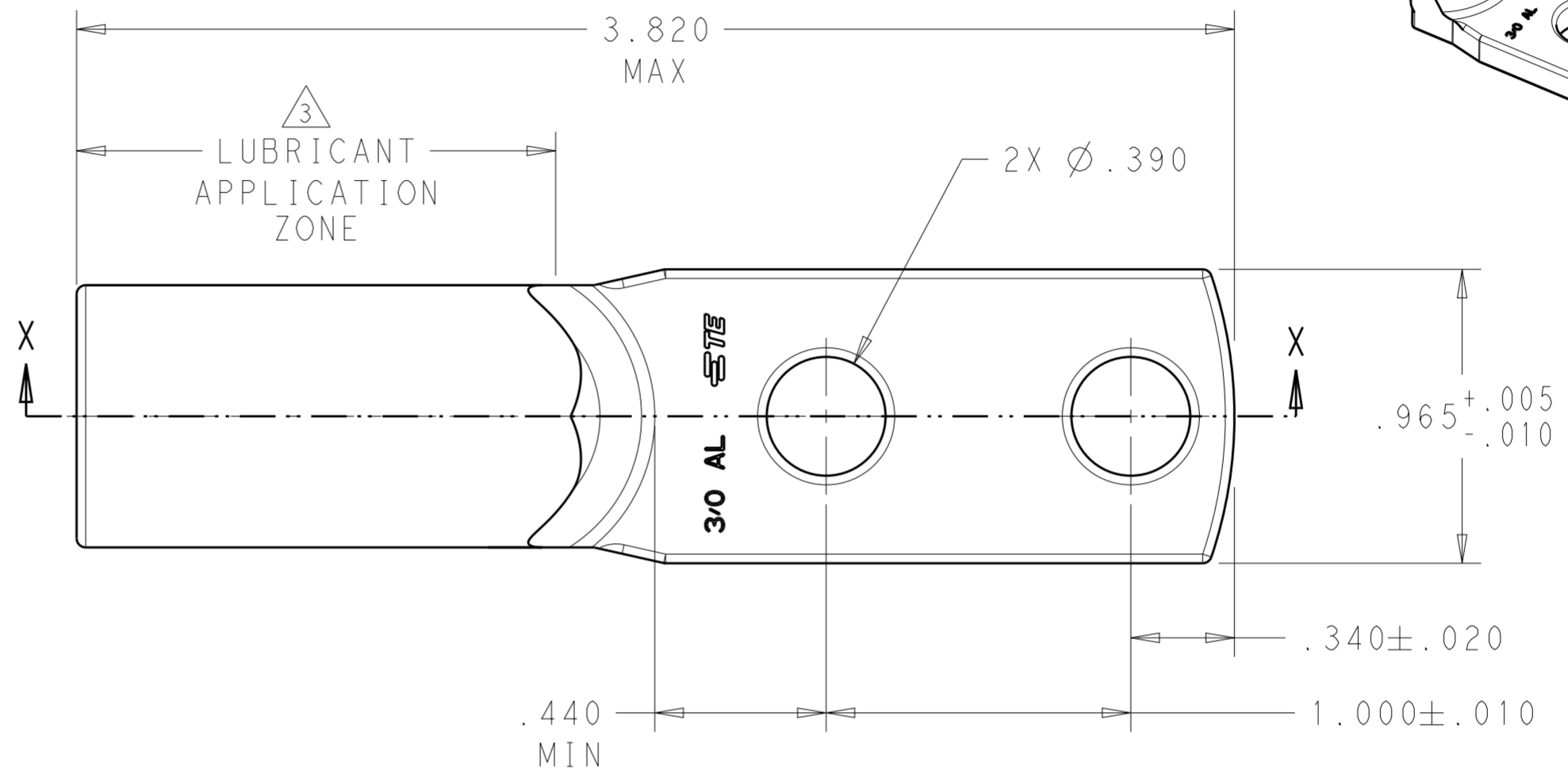
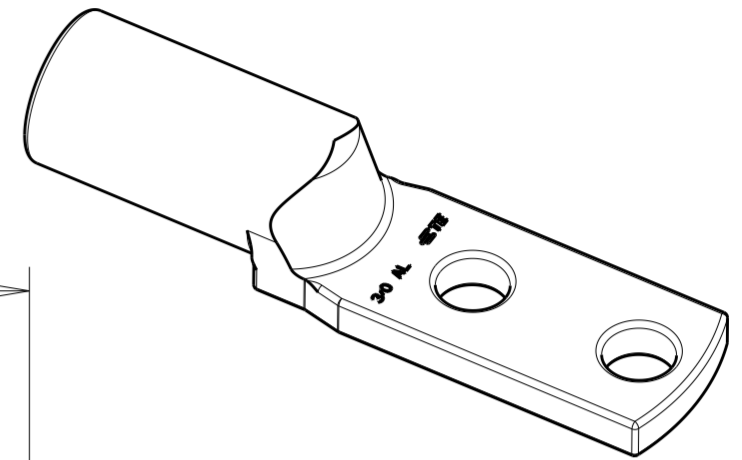


THIS DRAWING IS UNPUBLISHED. RELEASED FOR PUBLICATION 20  
 © COPYRIGHT 20 BY - ALL RIGHTS RESERVED.

LOC		DIST		REVISIONS			
P	LTR	DESCRIPTION	DATE	DWN	APVD		
	E	REV PER ECO 19-019307	3-6-20	CT	PD		

- MATERIAL:  
 BODY: ALUMINUM PER ASTM B317  
 INSERT: BRASS PER ASTM B36
- FINISH:  
 BODY: .000600 MIN MATTE TIN PER ASTM B545  
 OVER .000060 MIN NICKEL PER ASTM B733.  
 INSERT: .000150 MIN MATTE NICKEL PER QQ-N-290
- PTFE DRY LUBRICANT 360 DEGREE ON OUTER DIAMETER OF CRIMP BARREL IN ZONE SHOWN.
- WIRE INSULATION RANGE: .520-.633.
- SEE TE CONNECTIVITY APPLICATION SPEC. 114-32098 FOR APPLICATION REQUIREMENTS.
- SEE TE CONNECTIVITY INSTRUCTION SHEET 408-32087 FOR TOOLING AND CRIMP INSTRUCTIONS, FIGURE 3 FOR WIRE STRIPPING DETAIL.



2102582-1  
 PART NO.

THIS DRAWING IS A CONTROLLED DOCUMENT.		DWN Brent D. Yohn 29APR2014	TE Connectivity	
DIMENSIONS: INCHES		CHK KIM DeBOCK 29APR2014		
TOLERANCES UNLESS OTHERWISE SPECIFIED:		APVD KIM DeBOCK 29APR2014	NAME ASSEMBLY, ALUMINUM TERMINAL, STRAIGHT, DOUBLE HOLE, 3/0	
0 PLC ±.1 1 PLC ±.01 2 PLC ±.005 3 PLC ±.0005 4 PLC ±.0005 ANGLES ±1° FINISH		PRODUCT SPEC -	SIZE A200779	DRAWING NO C-2102582
MATERIAL SEE NOTE 1		APPLICATION SPEC -	RESTRICTED TO -	SCALE 2:1
SEE NOTE 2		WEIGHT -	SHEET 1 OF 1	REV E
Customer Drawing				

单击下面可查看定价，库存，交付和生命周期等信息

[>>TE Connectivity\(泰科\)](#)