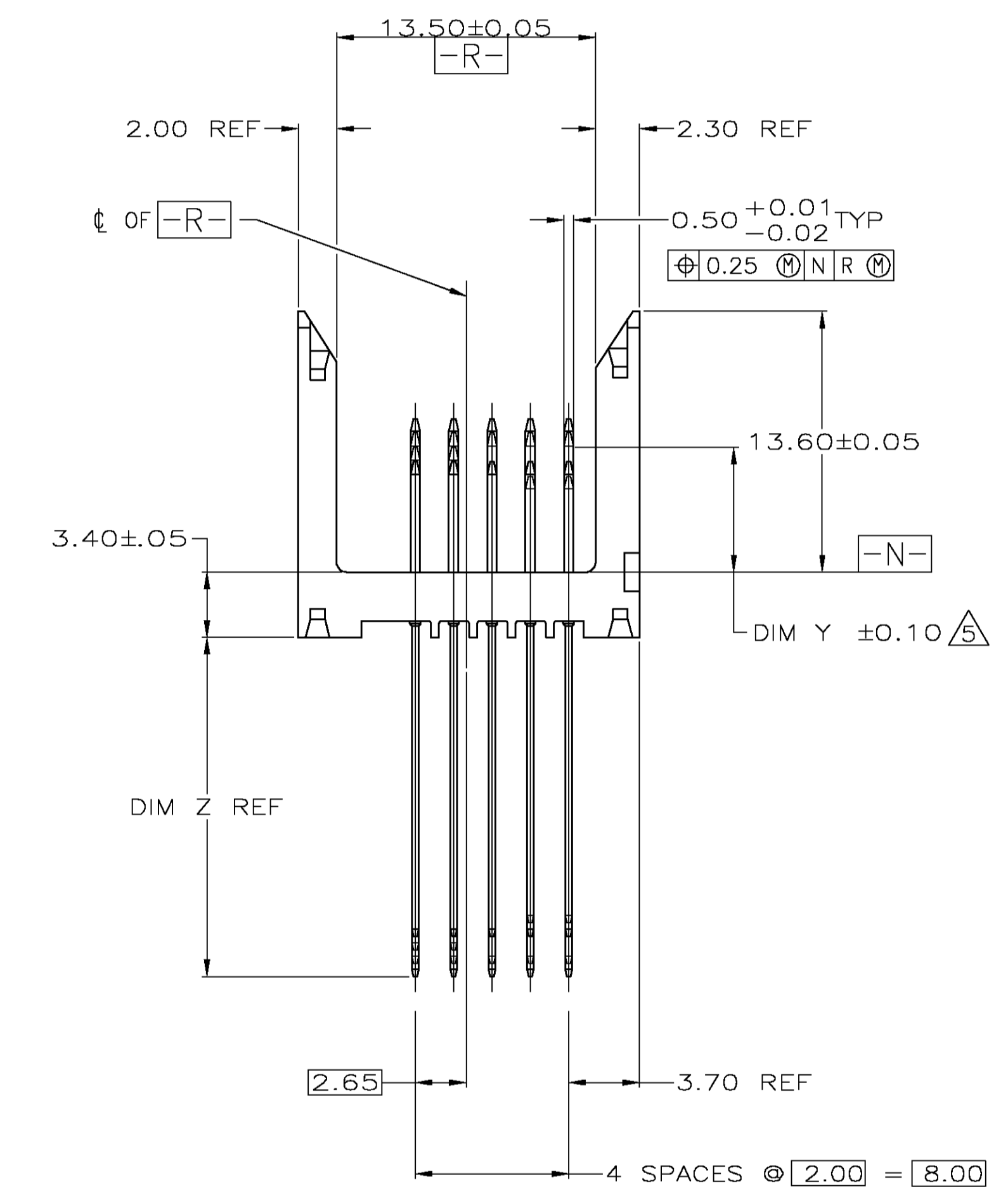
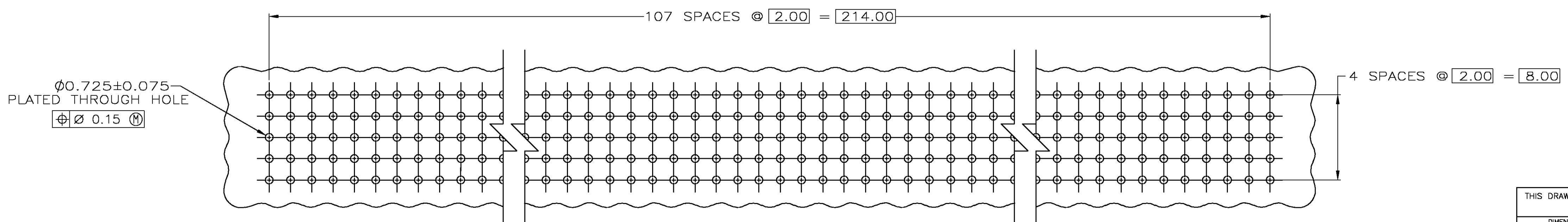


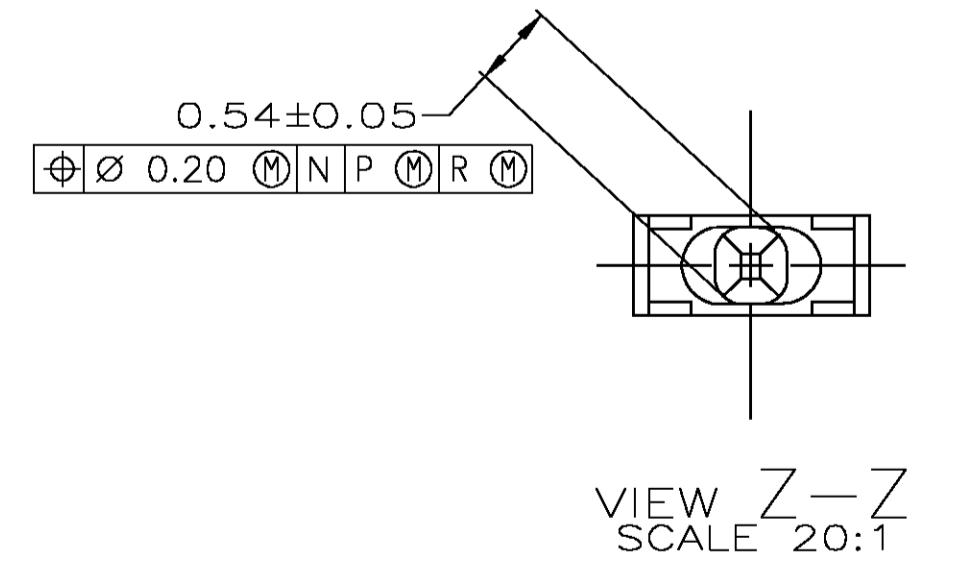
PART NUMBER 5223033-1 SHOWN



- △ HOUSING MATERIAL: LIQUID CRYSTAL POLYMER, COLOR: NATURAL
- △ CONTACT MATERIAL: PHOSPHOR BRONZE.
- △ CONTACT FINISH:  
 UNDERPLATE (ENTIRE CONTACT):  
 0.00127 MIN NICKEL PER SAE-AMS-QQ-N-290  
 ON MATING SURFACES:  
 CONFORMS TO ALL TESTING SPECIFIED FOR TELCORDIA UNCONTROLLED ENVIRONMENT.  
 ON LEADS:  
 0.0006 MIN MATTE TIN PER ASTM B 545 OVER UNDERPLATE.  
 LUBRICATION (MIN MATING SURFACES):  
 SURFACE CONDITIONER AFTER PLATING.
- △ PART MARKING LOCATED APPROXIMATELY AS SHOWN.
- △ DIMENSION APPLIES WHEN SEATED ON PRINTED CIRCUIT BOARD.
- △ SEE RESTRICTED CUSTOMER DRAWING.



RECOMMENDED CIRCUIT PATTERN (COMPONENT SIDE)



|                         |                      |             |
|-------------------------|----------------------|-------------|
| SUPERSEDED BY 1705986-4 | SEE SHEET 2          | 5223033-4   |
| SUPERSEDED BY 1705986-1 | SEE SHEET 2          | 5223033-2   |
| SUPERSEDED BY 1705986-1 | SEE SHEET 2          | 5223033-1   |
|                         | CONTACT LOAD PATTERN | PART NUMBER |

|                                        |  |                         |                                                                                                  |
|----------------------------------------|--|-------------------------|--------------------------------------------------------------------------------------------------|
| THIS DRAWING IS A CONTROLLED DOCUMENT. |  | DMN B.MCMMASTER 22NOV04 | Tyco Electronics Corporation<br>Harrisburg, Pa 17105-3608                                        |
| DIMENSIONS: mm                         |  | CHK R.WERTZ 22NOV04     |                                                                                                  |
| TOLERANCES UNLESS OTHERWISE SPECIFIED: |  | APVD R.WERTZ 22NOV04    | NAME<br>PIN ASSEMBLY, Z-PACK 2mm FB, SIGNAL, VERTICAL, 5 ROW, 540 POSITION, WITH PRESS FIT LEADS |
| 0 PLC ± -                              |  | PRODUCT SPEC            |                                                                                                  |
| 1 PLC ± -                              |  | APPLICATION SPEC        | SIZE A1                                                                                          |
| 2 PLC ± 0.13                           |  | WEIGHT                  | CAGE CODE 00779                                                                                  |
| 3 PLC ± -                              |  | CUSTOMER DRAWING        | DRAWING NO. 5223033                                                                              |
| 4 PLC ± -                              |  |                         | RESTRICTED TO                                                                                    |
| ANGLES ± -                             |  |                         | SCALE 4:1                                                                                        |
| FINISH                                 |  |                         | SHEET 1 OF 2                                                                                     |
|                                        |  |                         | REV A                                                                                            |



单击下面可查看定价，库存，交付和生命周期等信息

[>>TE Connectivity\(泰科\)](#)