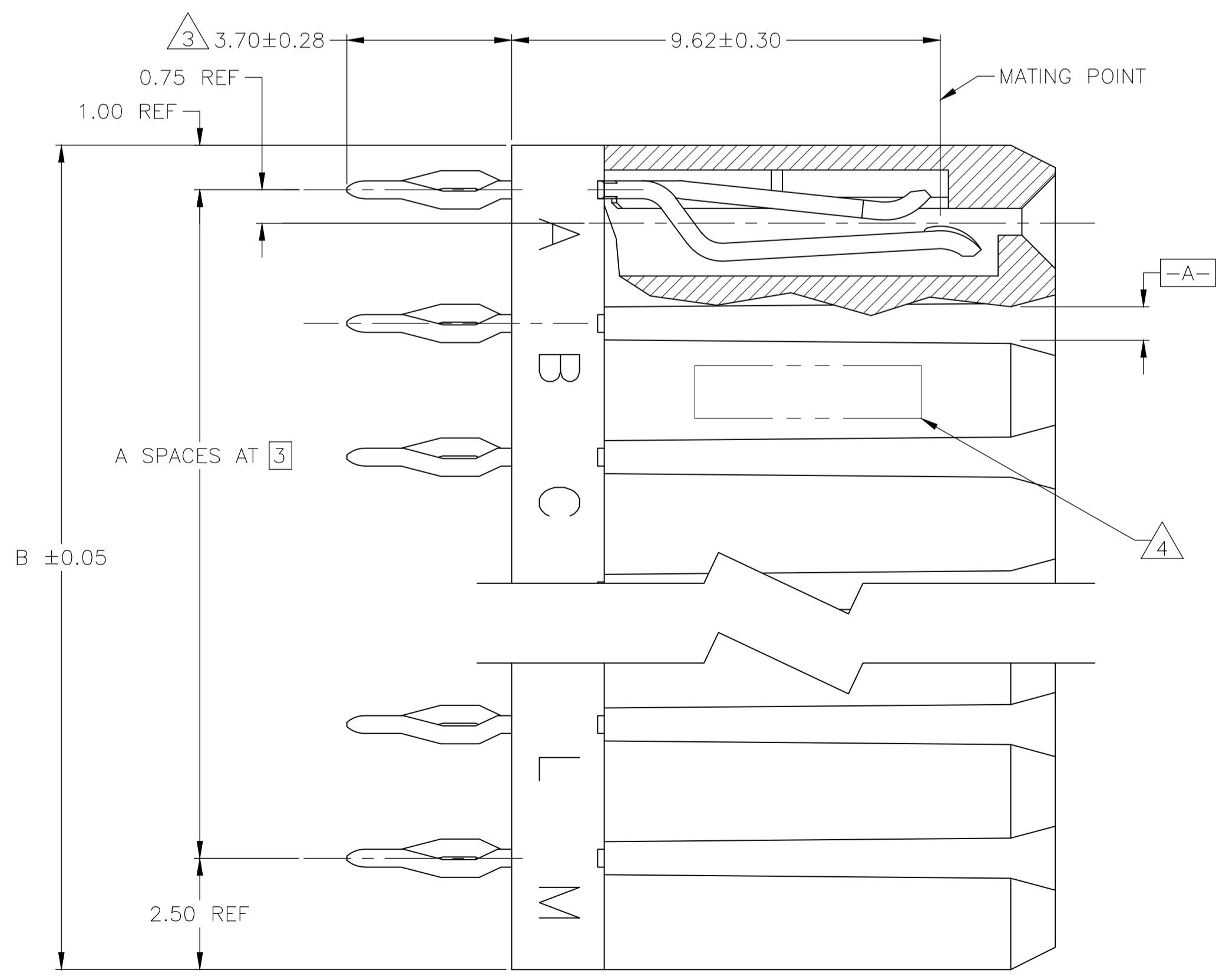
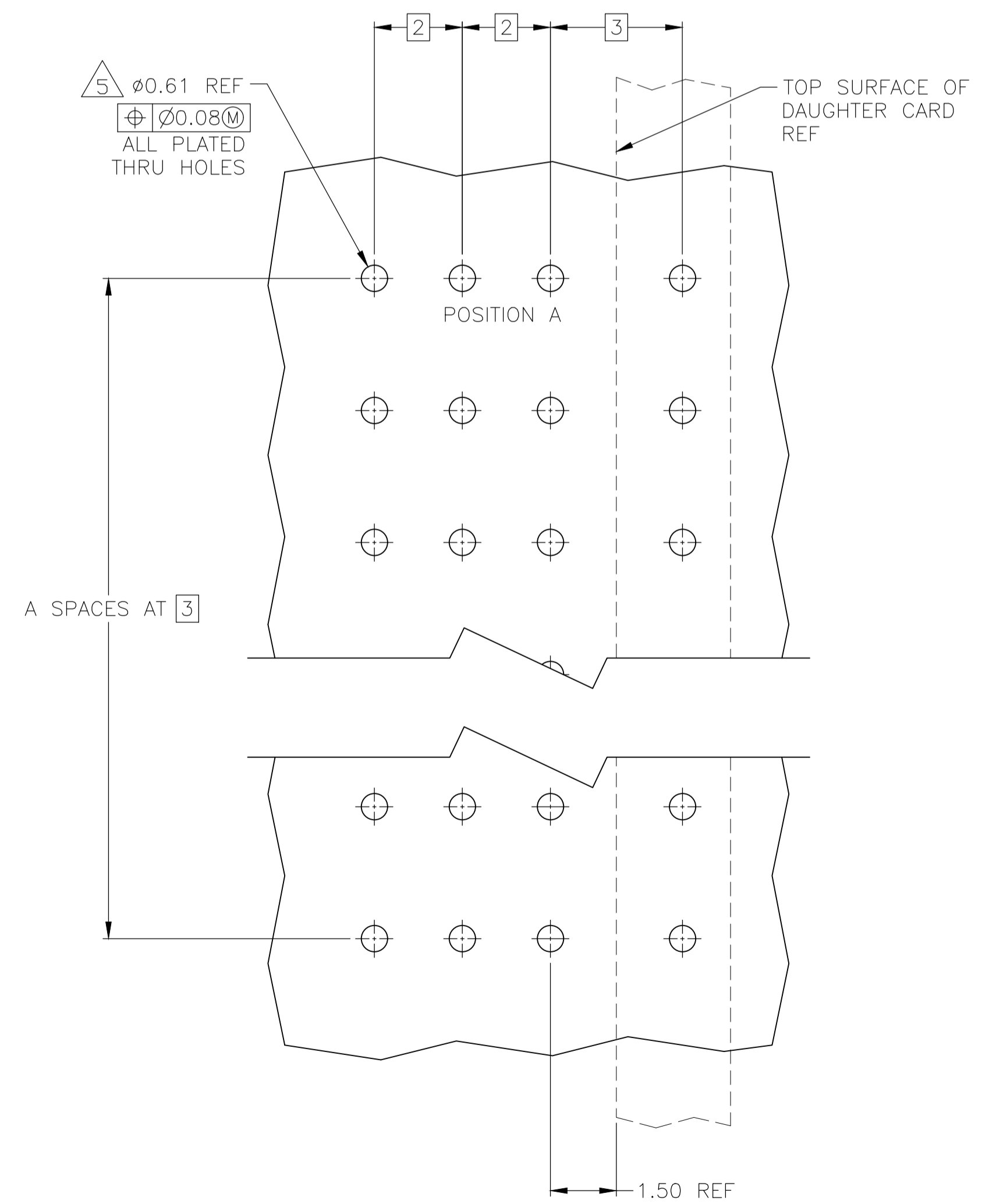
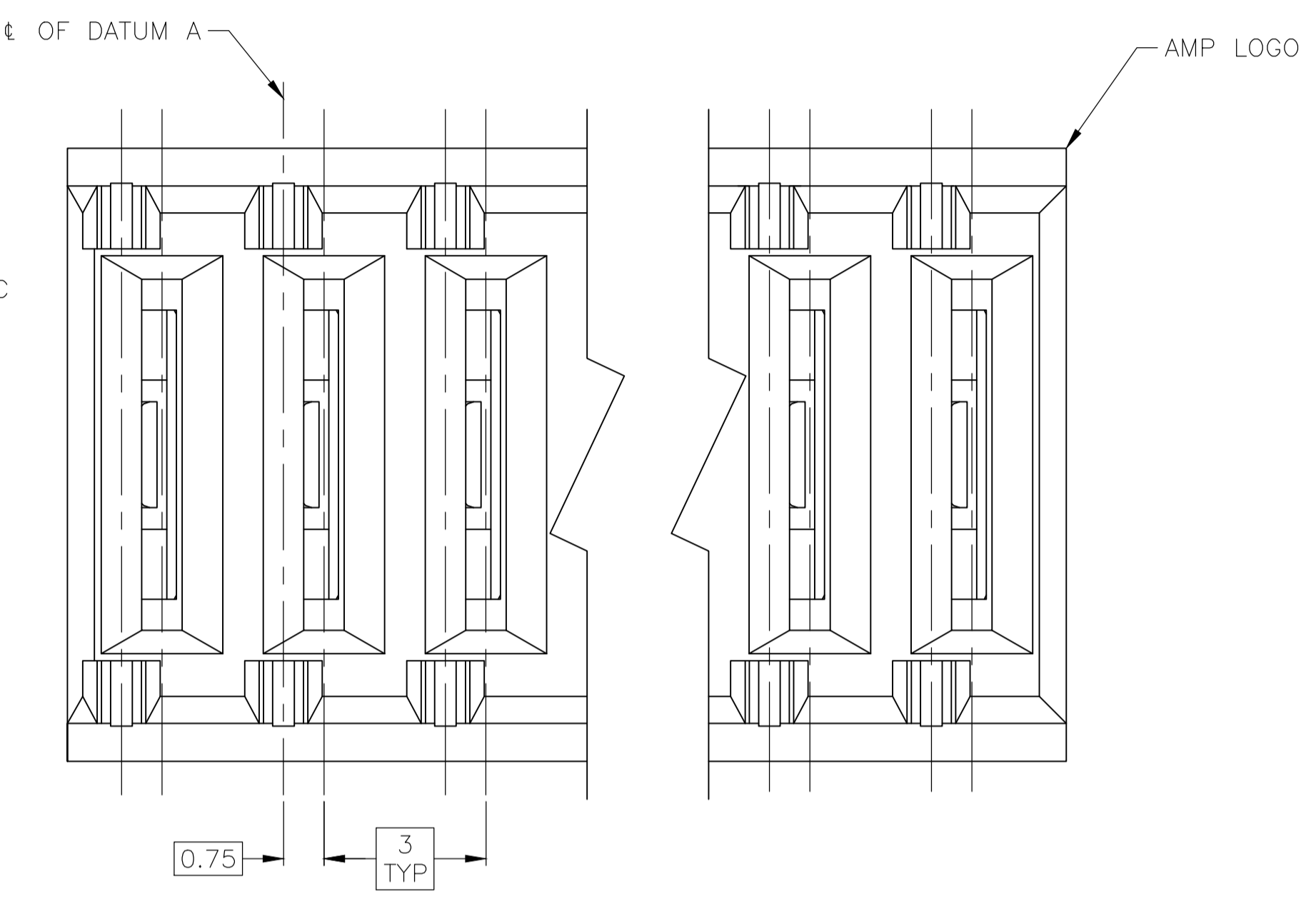
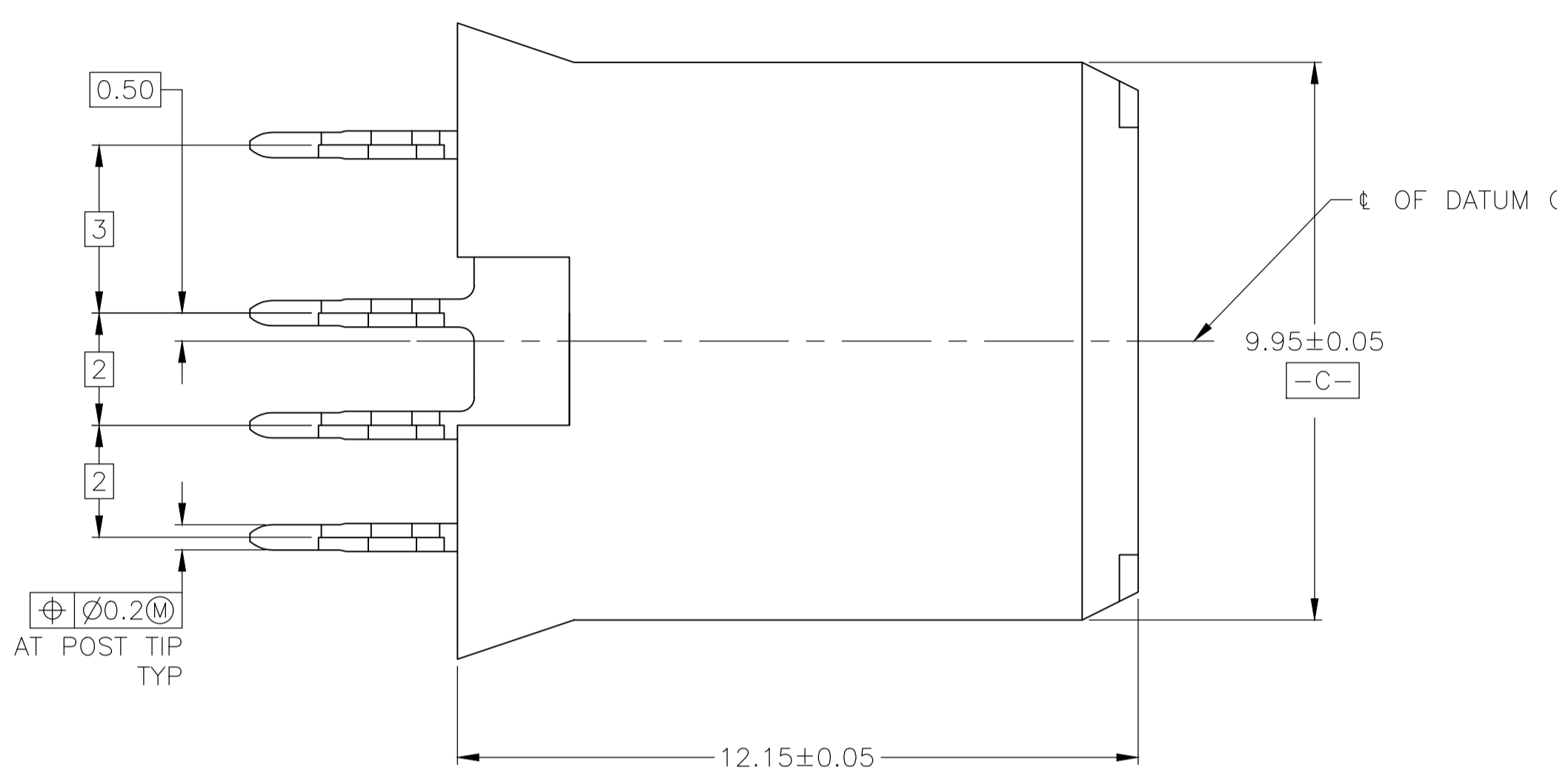
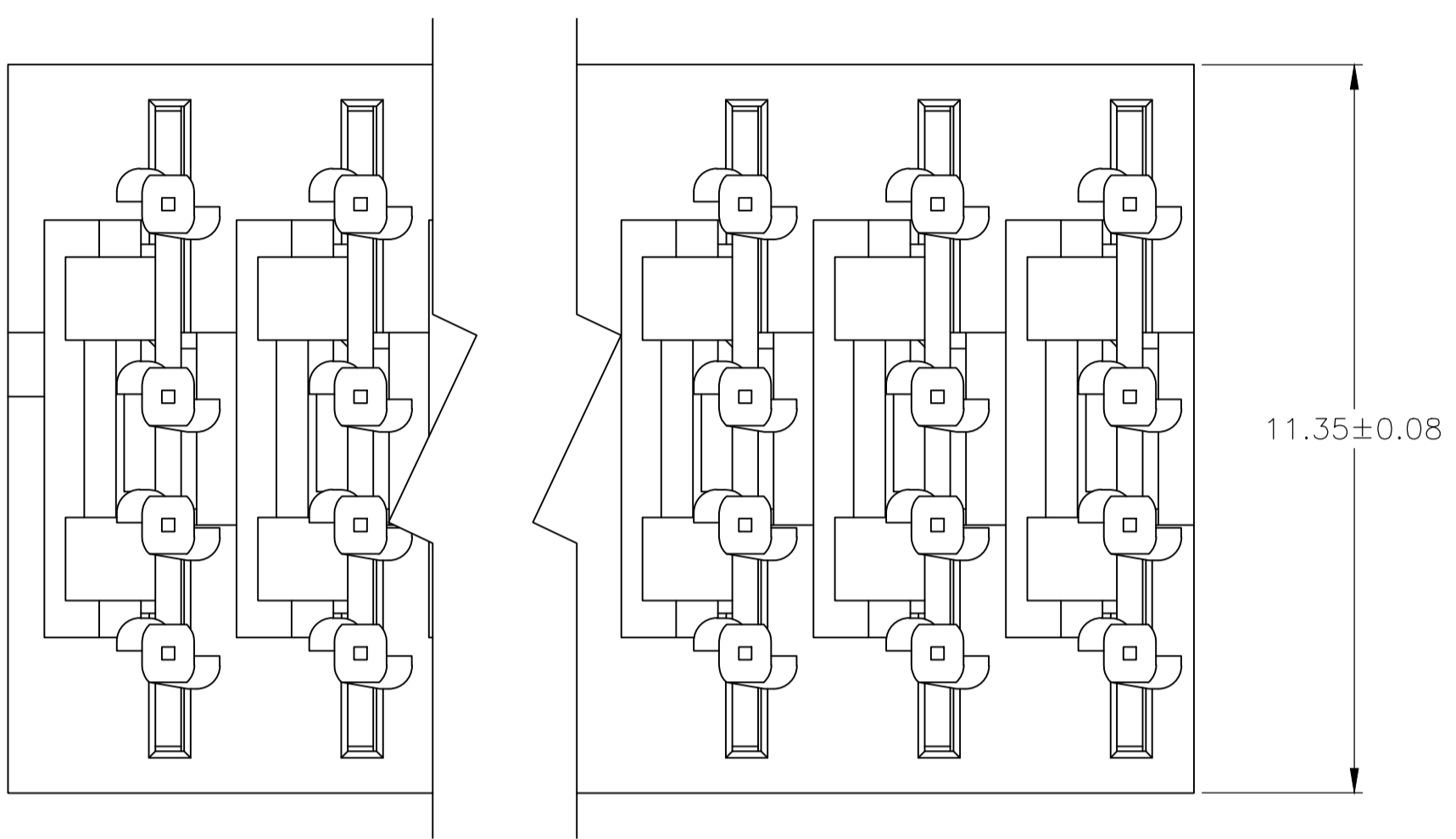


LOC		DIST		REVISIONS			
P	LTR	DESCRIPTION	DATE	DMN	APVD		
A3	REV PER	ECO-20-004668	10JUN2020	ML	SZ		

- 1 MATERIAL: HOUSING : POLYESTER, GRAY, UL 94V-0.
CONTACT: HIGH CURRENT COPPER ALLOY.
- 2 FINISH: IN ACCORDANCE WITH PRODUCT SPECIFICATION 108-1651,
GOLD PLATING OR EQUIVALENT PLATING ON PRODUCT CONTACT MATING AREA,
AND MATTE TIN PLATING ON COMPLIANT PIN AREA, ALL OVER MATTE NICKEL
UNDERPLATED. DETAIL PLEASE REFER TO PRODUCT SPECIFICATION 108-1651.
- 3 DIMENSION APPLIES AFTER CONNECTOR IS APPLIED TO PC BOARD.
- 4 DATE CODE THIS APPROXIMATE AREA, OPPOSITE SIDE.
- 5 REFERENCE APPLICATION SPEC 114-1103 FOR RECOMMENDED
PLATED THRU HOLE DIAMETER AND PLATING THICKNESSES.
- 6. CURRENT RATING 16A/CONTACT PER PRODUCT SPEC 108-1651.



B	A	POSITION	PART NUMBER
36.5	11	12	120992-9
27.5	8	9	120992-6

THIS DRAWING IS A CONTROLLED DOCUMENT.

DIMENSIONS: mm	TOLERANCES UNLESS OTHERWISE SPECIFIED:	DIN B CARBO 06OCT06	tyco Electronics	Tyco Electronics Corporation Harrisburg, Pa 17105-3608
0 PLC ± -	1 PLC ± -	CHK R PATTERSON 06OCT06	NAME R PATTERSON 06OCT06	RESTRICTED TO
2 PLC ± 0.13	3 PLC ± -	APVD R PATTERSON 06OCT06	PRODUCT SPEC 108-1651	SIZE CASE CODE DRAWING NO
4 PLC ± -	ANGLES ± -	APPLICATION SPEC 114-1103	WEIGHT -	A1 00779 C=120992
MATERIAL 1	FINISH 2	CUSTOMER DRAWING	SCALE 10:1	SHEET 1 OF 1 REV A3

RECOMMENDED PCB HOLE LAYOUT

单击下面可查看定价，库存，交付和生命周期等信息

[>>TE Connectivity\(泰科\)](#)