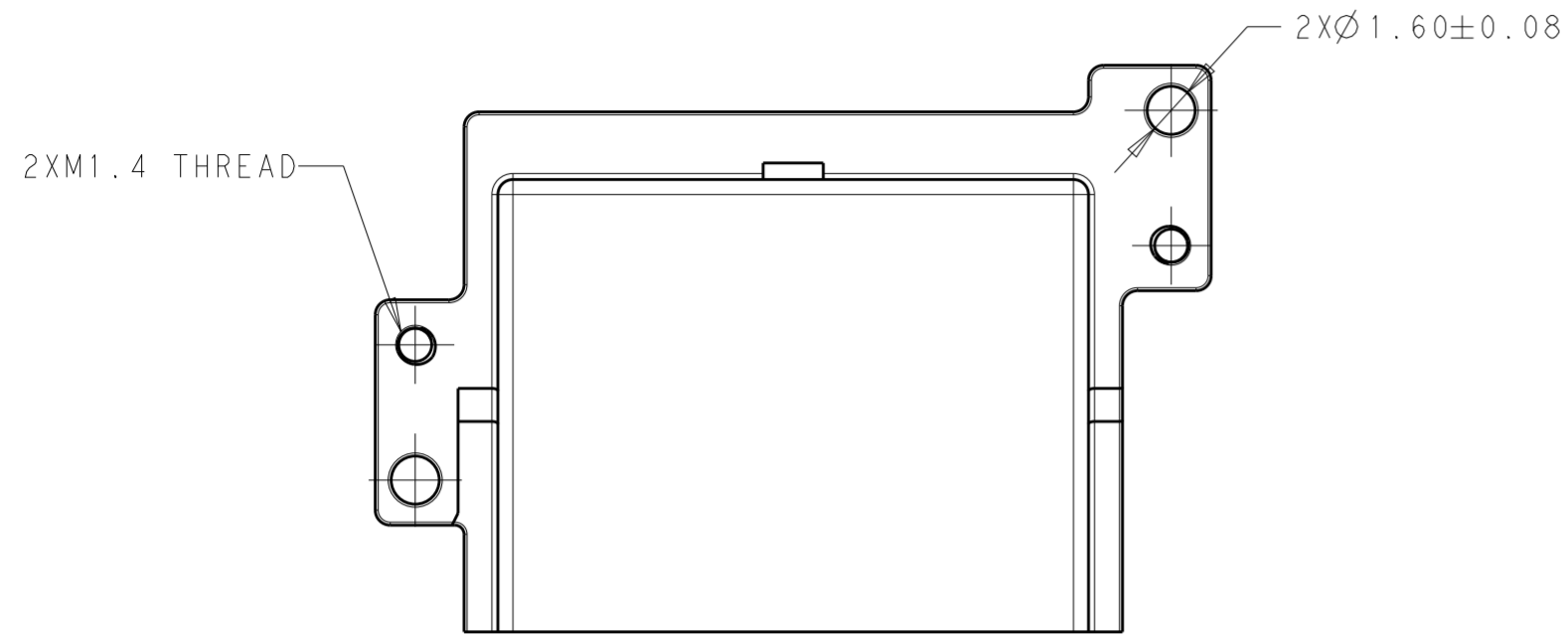
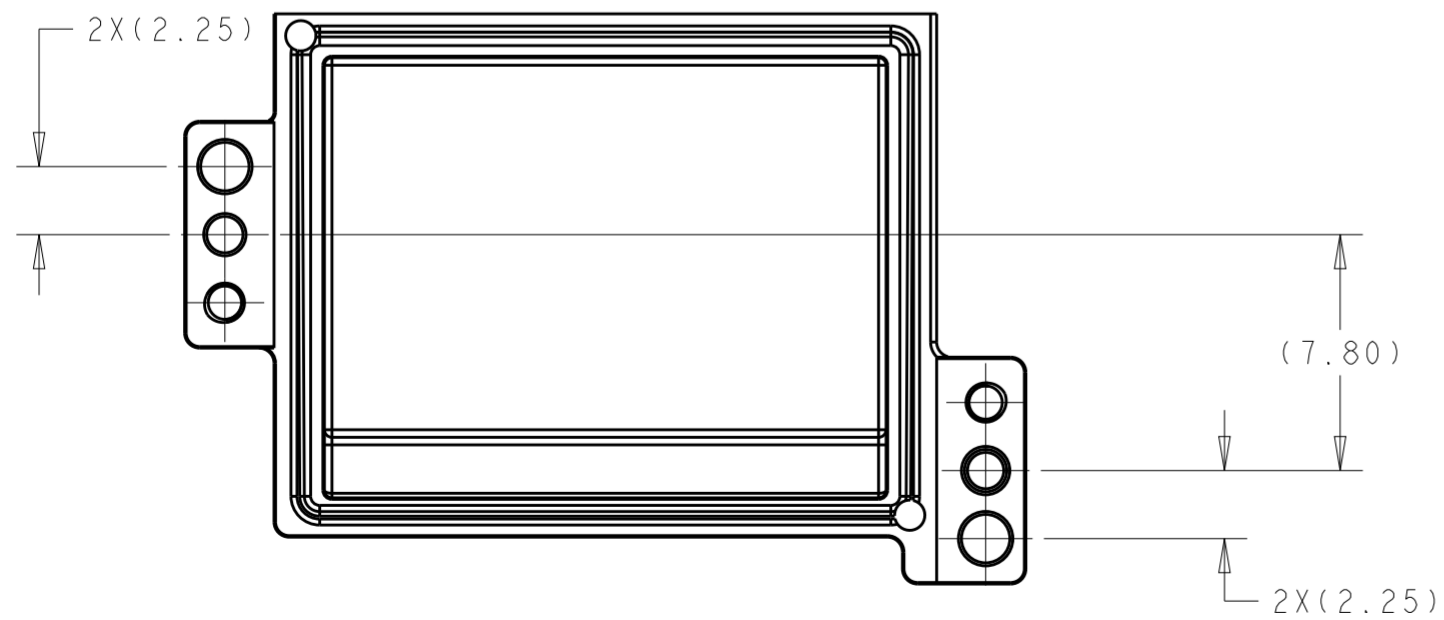
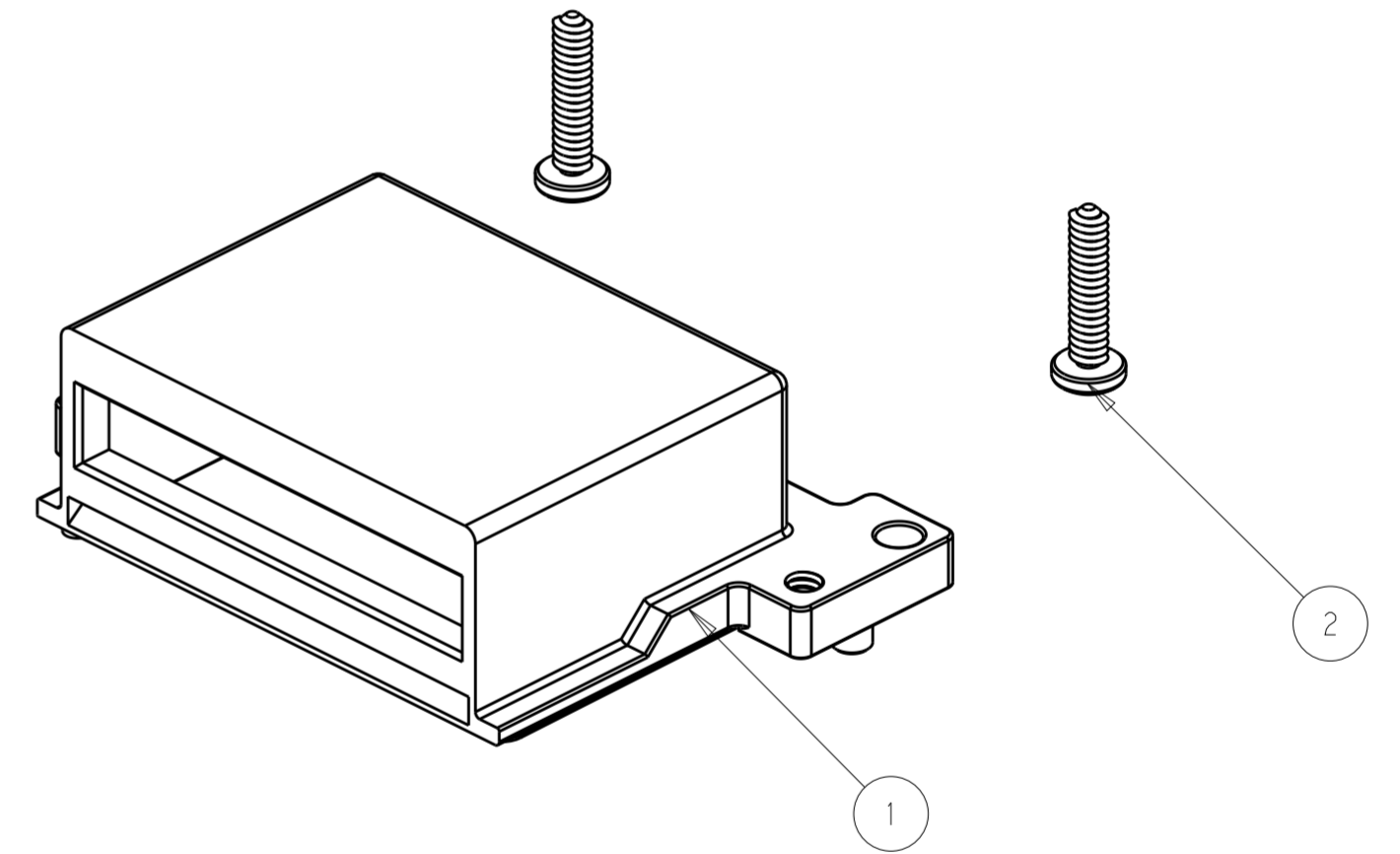
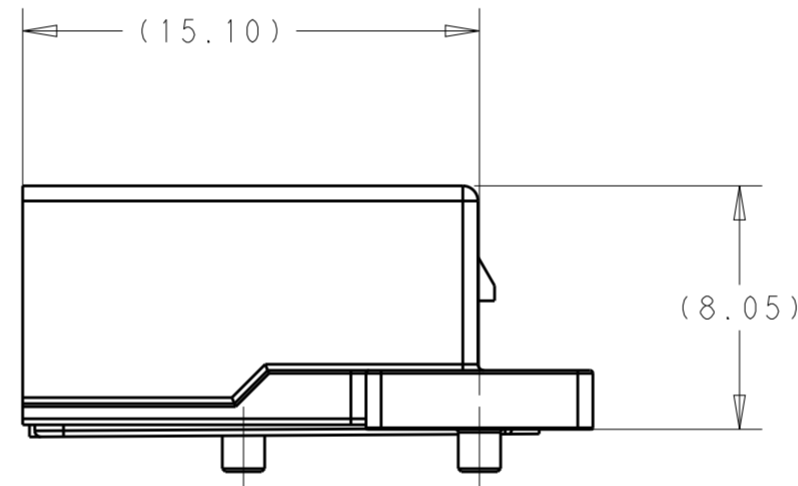
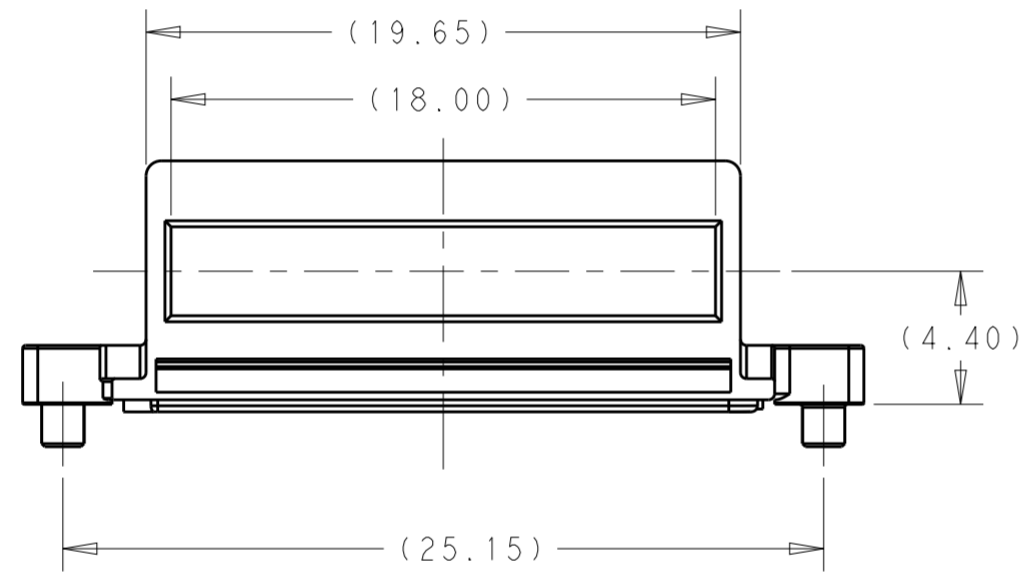


THIS DRAWING IS UNPUBLISHED. RELEASED FOR PUBLICATION 20  
 © COPYRIGHT 20 BY - ALL RIGHTS RESERVED.

REVISIONS				
P	LTR	DESCRIPTION	DATE	APVD
1		PRELIMINARY DRAWING	24MAY2016	AD SH



- 1.MATERIAL:RECEPTACLE COVER:ZNIC ALLOY  
GASKET: SILICON  
SCREW:STAINLESS STEEL
- 2.PLATING: RECEPTACLE COVER:1.27um MIN. NICKEL OVER COPPER PLATING
- 3.MATES WITH MSA COMPLIANT TRANSCEIVERS.
- 4.PACKAGED AS SEPARATED KITS IN ONE BOX .



THIS PRINT IS  
**PRELIMINARY**  
 UNQUALIFIED PRODUCT  
 CONTACT PRODUCT ENGINEERING  
 BEFORE USING THIS PRINT

2	2292789-1	M1.4X6 SCREW	2
1	2288228-1	RECEPTACLE COVER WITH GASKET	1
-1	PART/MATERIAL	DECSRIPTION	ITEM

DIMENSIONS:		TOLERANCES UNLESS OTHERWISE SPECIFIED:		DWN		APVD		NAME	
mm		0 PLC	±	ANDY.XIE	24MAY2016	SEAN.HAN	24MAY2016	RECEPTACLE COVER WITH SCREW CFP4 1X1	
		1 PLC	±0.25	CHK	24MAY2016	SEAN.HAN	24MAY2016	SIZE	CAGE CODE
		2 PLC	±0.15	APVD	24MAY2016	SEAN.HAN	24MAY2016	A2	-
		3 PLC	±0.10	PRODUCT SPEC				DRAWING NO	RESTRICTED TO
		4 PLC	±	APPLICATION SPEC				©-2304455	-
		ANGLES	±	WEIGHT				SCALE	SHEET
		FINISH	±	CUSTOMER DRAWING				1:1	OF 1
									REV 1

单击下面可查看定价，库存，交付和生命周期等信息

[>>TE Connectivity\(泰科\)](#)