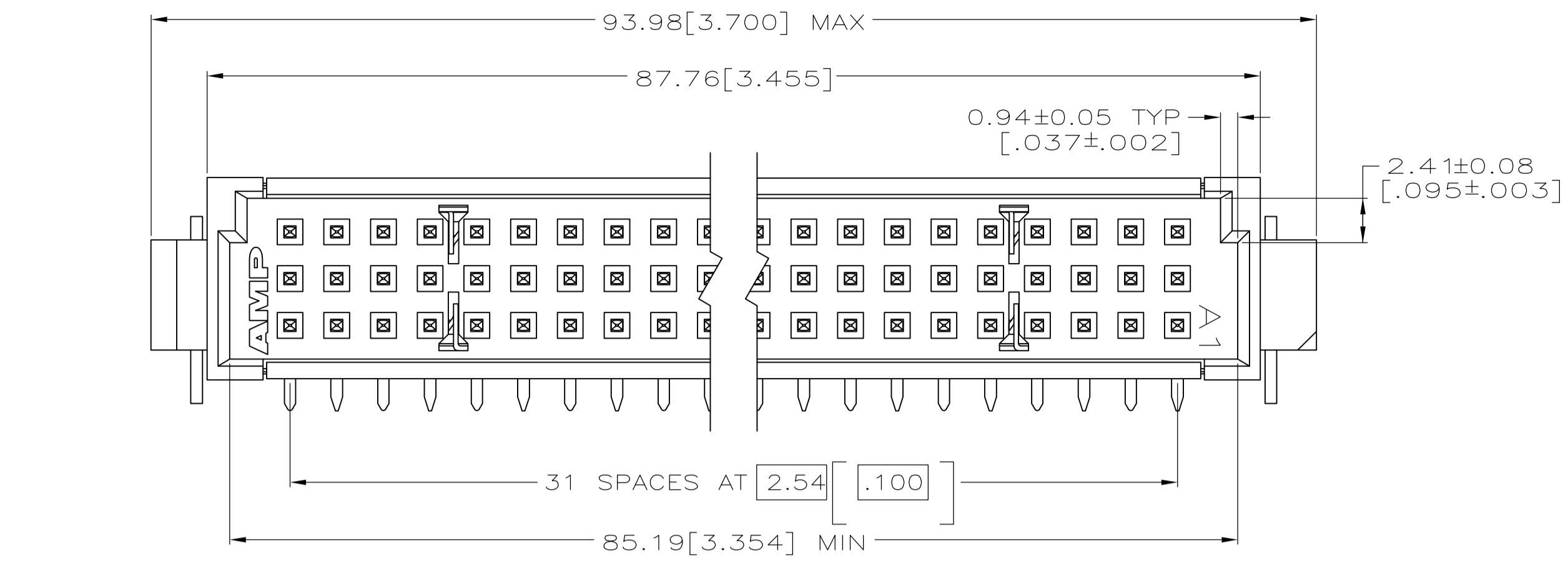
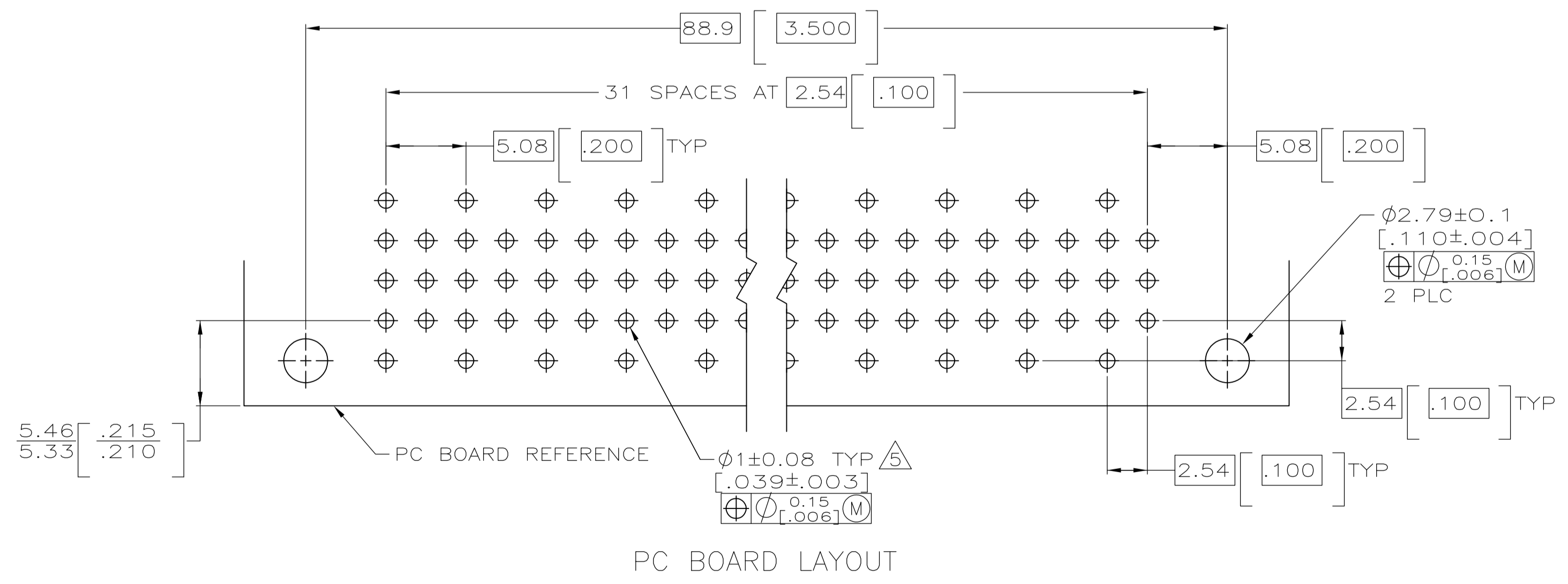
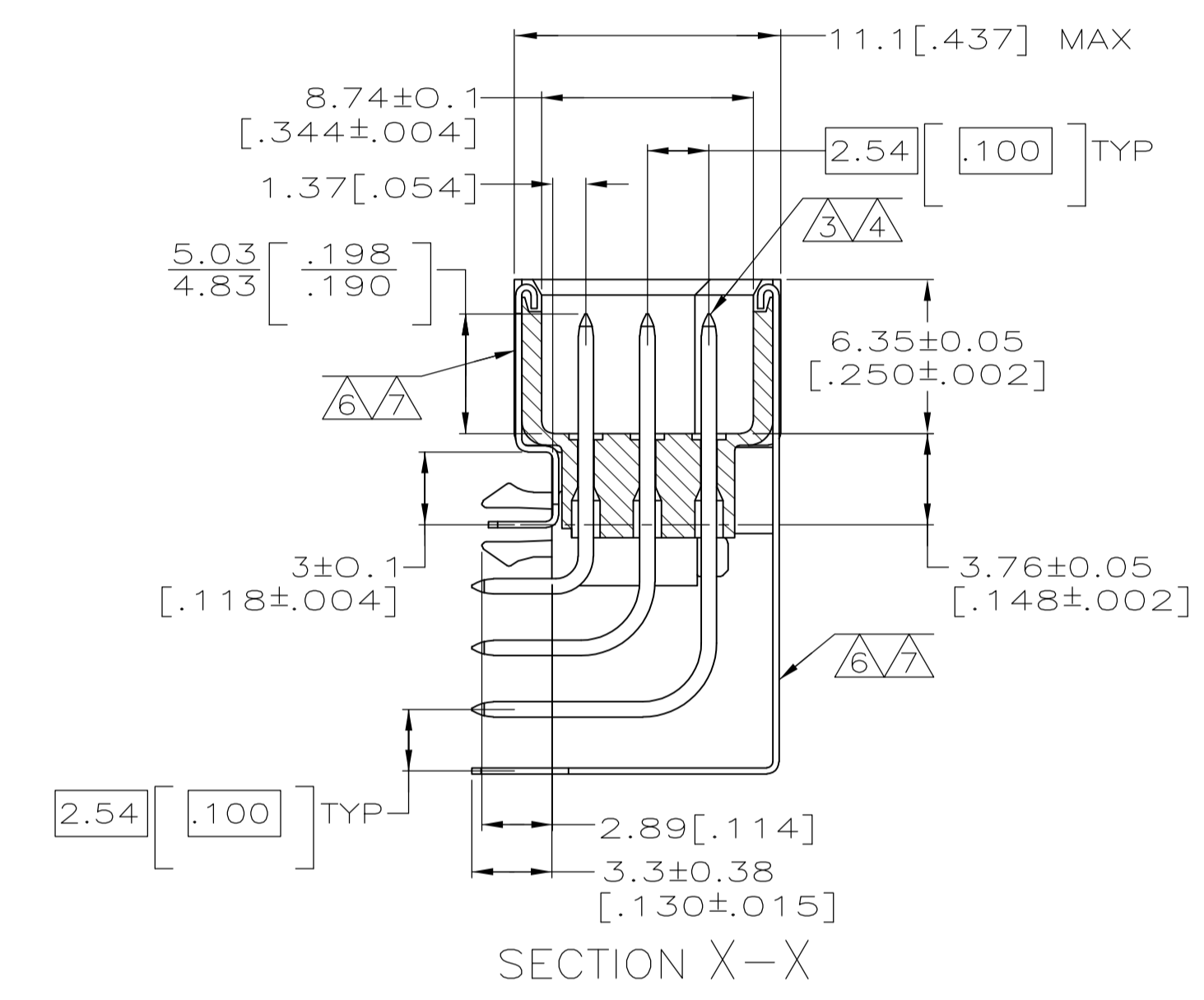
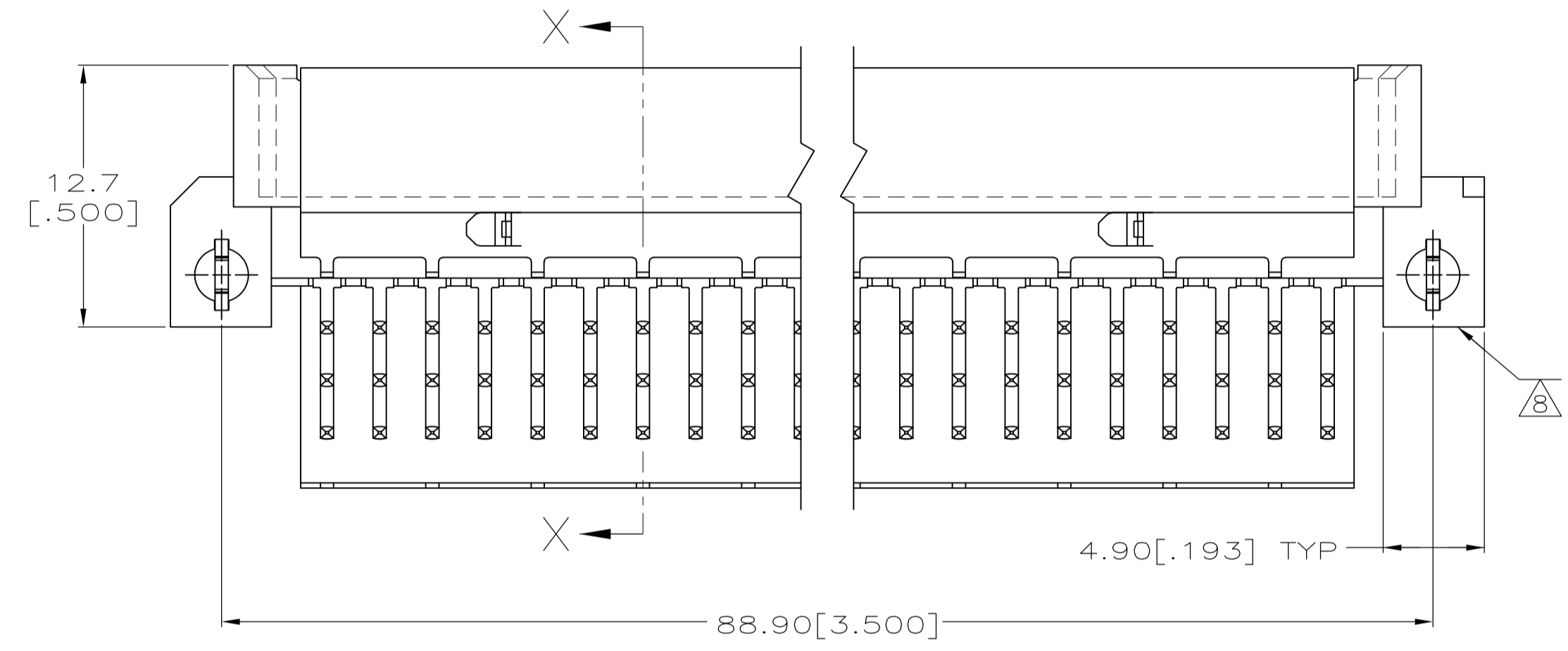


LOC		DIST		P		ZONE		LTR		REVISIONS			
AD	25									DESCRIPTION	DATE	APPD	
										F	REVISED PER ECO-07-007578	27APR97	DB



- ① HOUSING MATERIAL: HIGH TEMPERATURE, GLASS-FILLED POLYMER. COLOR: GREY OR WHITE
- ② POST AND GROUND PLATE MATERIAL: BRASS.
- ③ POST FINISH: DIN 41612 CLASS 2 IN CONTACT AREA. TIN-LEAD PLATE ON POSTS.
- ④ POST FINISH: DIN 41612 CLASS 3 IN CONTACT AREA. TIN-LEAD PLATE ON POSTS.
- ⑤ RECOMMENDED HOLE SIZE FOR MANUAL APPLICATION OF CONNECTOR ONTO PC BOARD.
- ⑥ GROUND PLATE FINISH: DIN 41612 CLASS 2 IN CONTACT AREA. TIN-LEAD PLATE ON POSTS.
- ⑦ GROUND PLATE FINISH: DIN 41612 CLASS 3 IN CONTACT AREA. TIN-LEAD PLATE ON POSTS.
- ⑧ MOLD REVISION DATE CODE MOLDED IN THIS AREA.



OBSOLETE	③⑥	9-536149-5
OBSOLETE	④⑦	536149-9
	③⑥	536149-5
FINISH		ASSY PART NUMBER

DO NOT SCALE PRINT. UNLESS SPECIFIED DIMENSIONS IN mm [INCHES]		TOLERANCES - ON :		PART NO	
1 PLC DEC	±	1.10	[.004]	AMP AMP Incorporated Harrisburg, PA 17105-3608	
2 PLC DEC	± 0.13	0.15	[.006]	NAME PIN ASSEMBLY, ENHANCED EUROCARD WITH TWO EXTERNAL PLATES AND BOARD-LOCKS	
ANGLES	±			MATERIAL HSG: ① - POST: ② - FINISH POST: ③④ - GROUND PLATE: ⑥⑦ -	
DR	L. BRINER	2/24/92		SIZE	CAGE CODE
CHK	D.C. RUBENDALL	3/8/92		D	00779
APPD	D.C. RUBENDALL	3/8/92		SCALE	4:1
APPD	D.C. RUBENDALL	3/8/92		DRAWING NO	536149
MATERIAL				WEIGHT	
APPLICATION SPEC				SHEET 1 OF 1	

单击下面可查看定价，库存，交付和生命周期等信息

[>>TE Connectivity\(泰科\)](#)