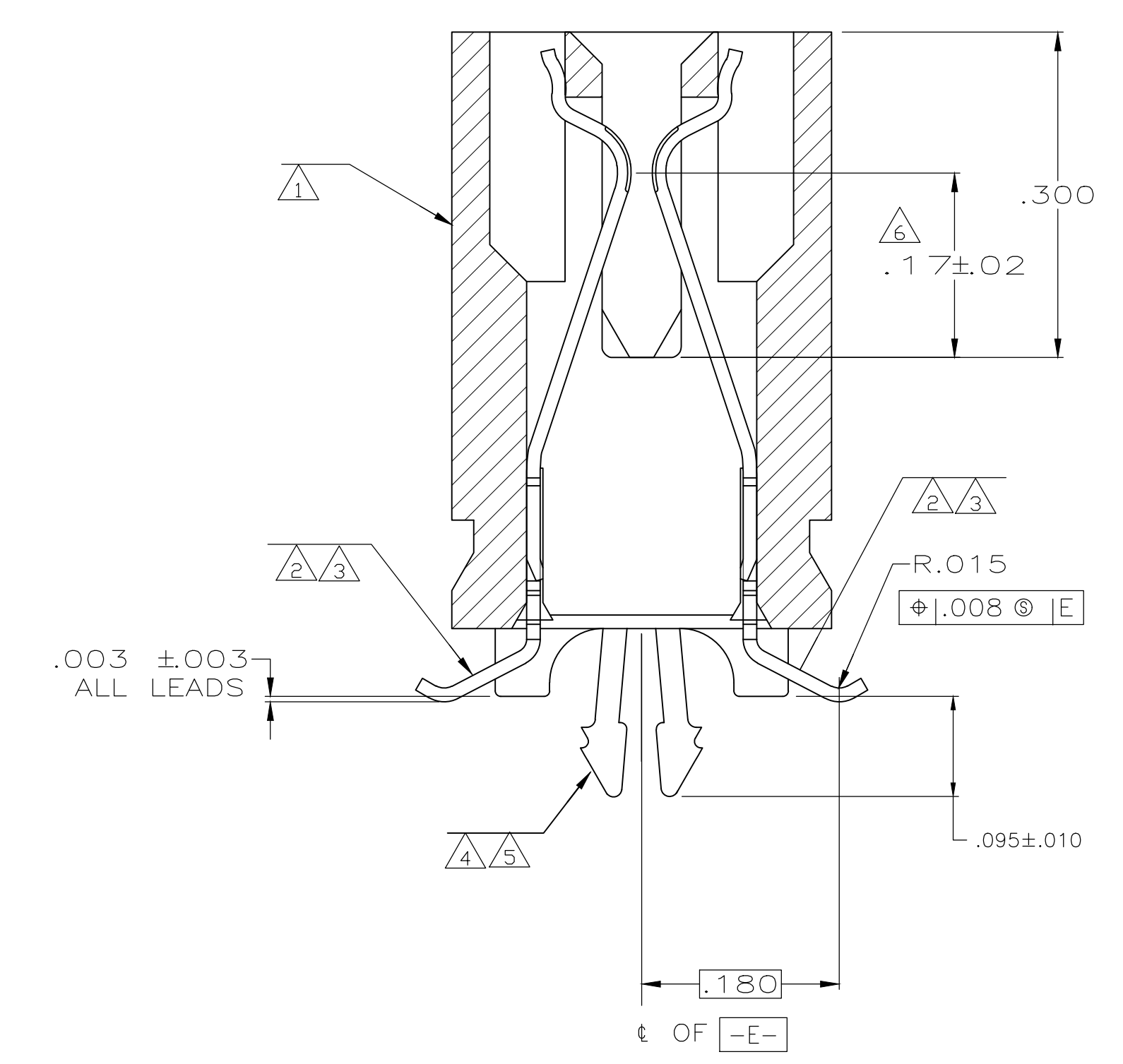
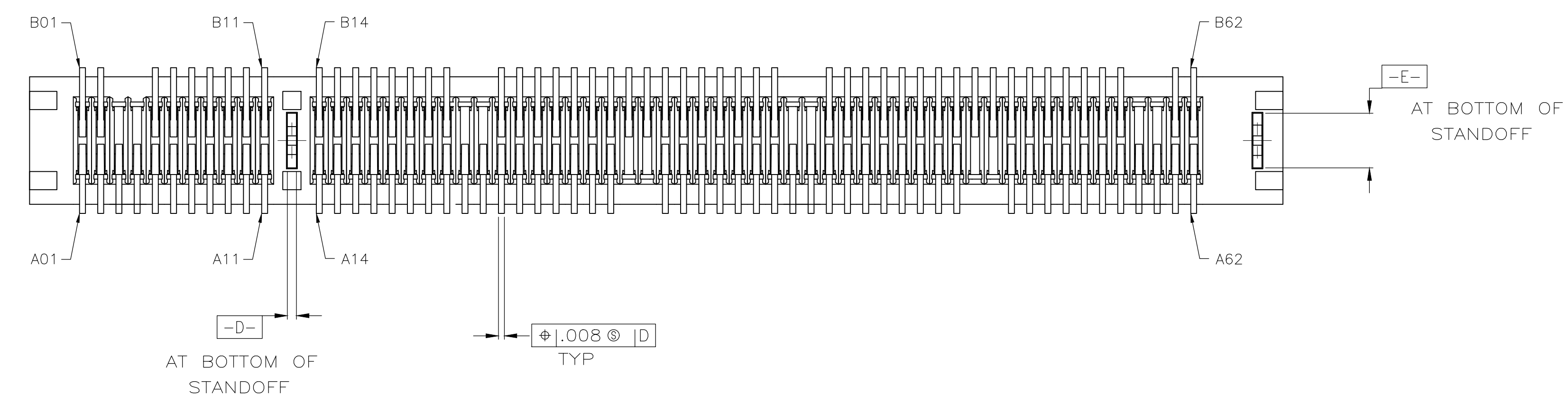
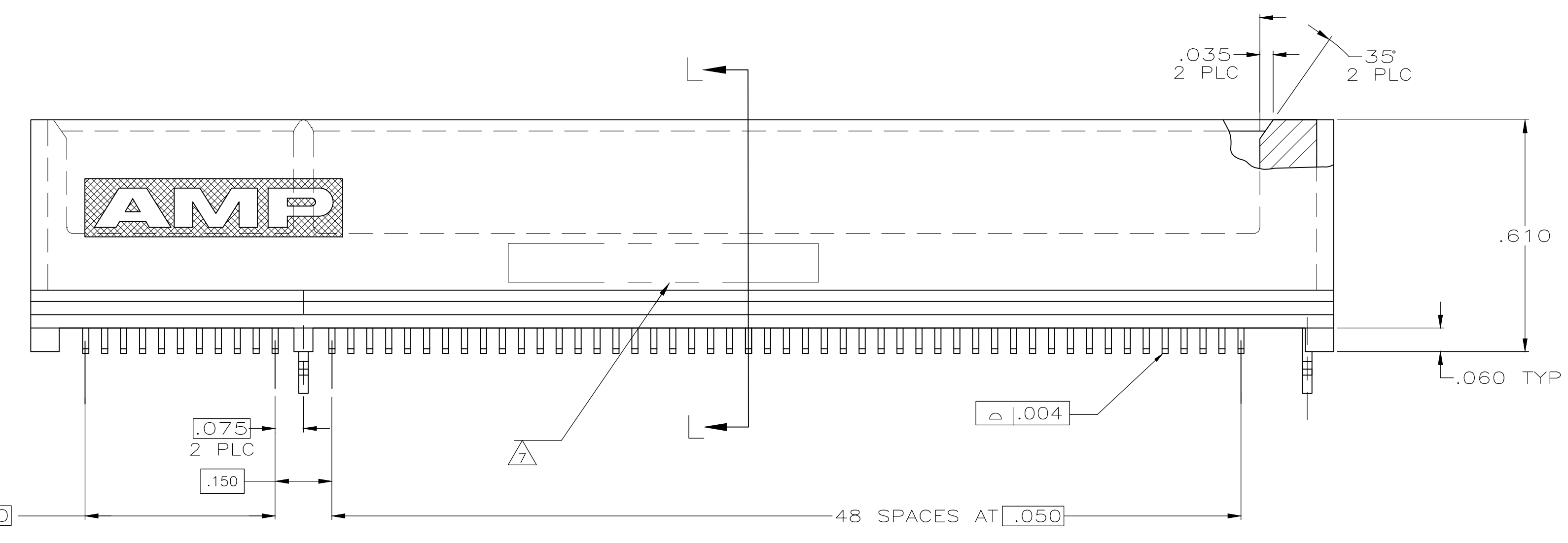
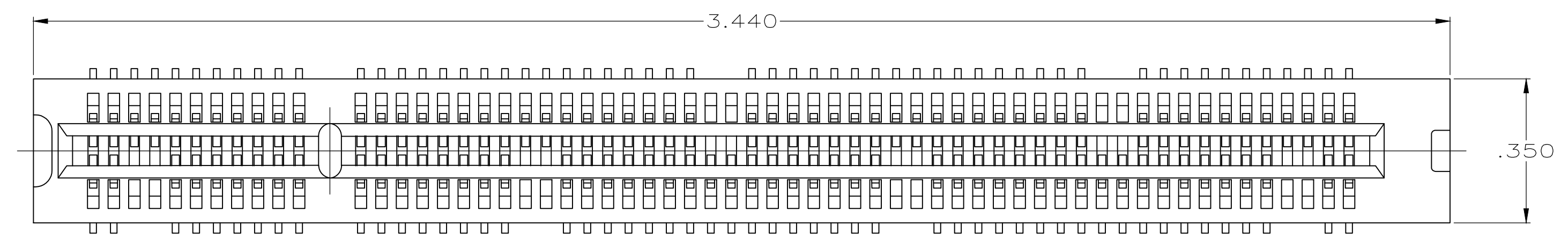


REVISIONS				
P	LTR	DESCRIPTION	DATE	APPV
A		ECO-18-017215	03DEC2018	FL HL

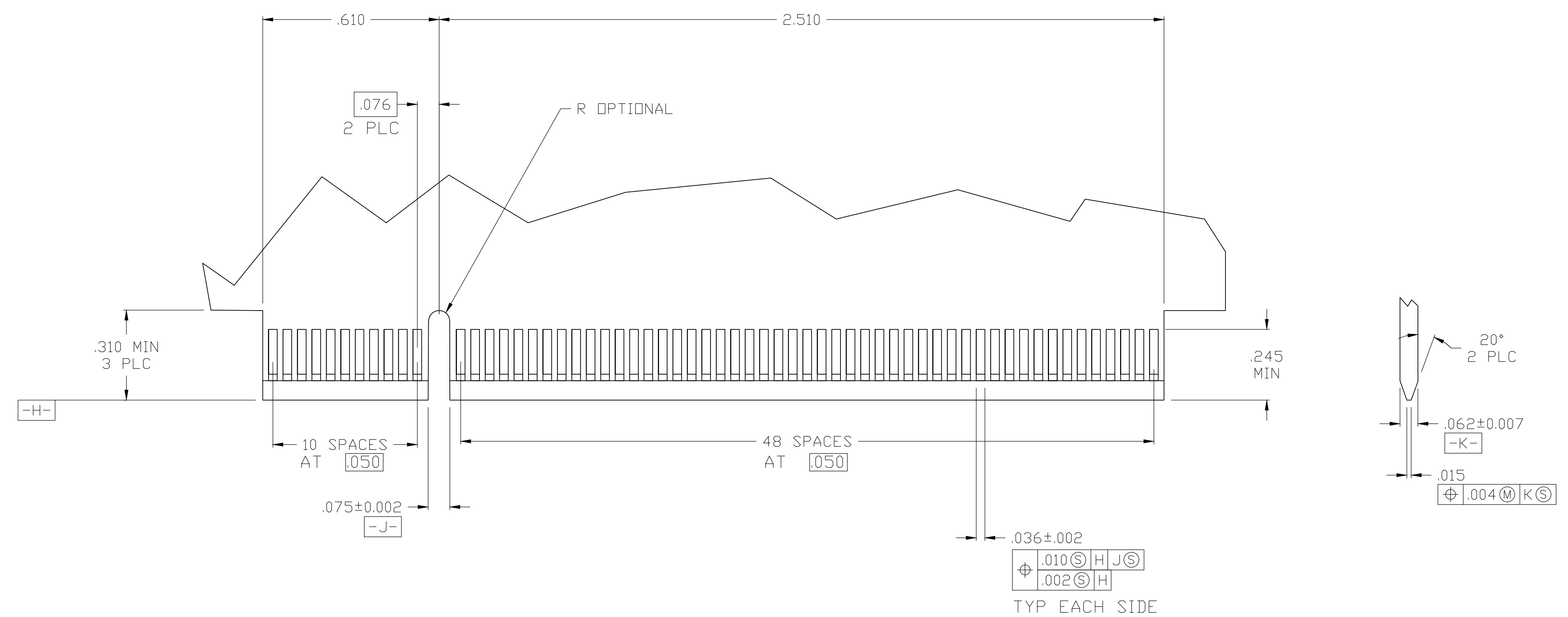
- 1 HOUSING: POLYPHENYLENE SULFIDE
- 2 CONTACT: PHOSPHOR BRONZE
- 3 CONTACT FINISH: .000030 MIN GOLD IN CONTACT AREA OVER .000100 MIN NICKEL ON ENTIRE CONTACT, .000100 MIN MATTE TIN OVER NICKEL ON SOLDER TAILS
- 4 METAL HOLD DOWN: BRASS
- 5 METAL HOLD DOWN FINISH: .000150 MIN MATTE TIN ON ENTIRE HOLD DOWN OVER .000050 MIN NICKEL ON ENTIRE CONTACT
- 6 DISTANCE FROM CONTACT POINT TO BOTTOM OF CARD SLOT
- 7 AMP PART NUMBER, DATE CODE AND CSA LOGO MARKED IN APPROXIMATE AREA SHOWN
- 8. SELECT LOAD, NO CONTACTS LOADED IN POSTIONS  
 A31, A32, A50, A51  
 B3, B4, B22, B23, B40, B41, B59, B60



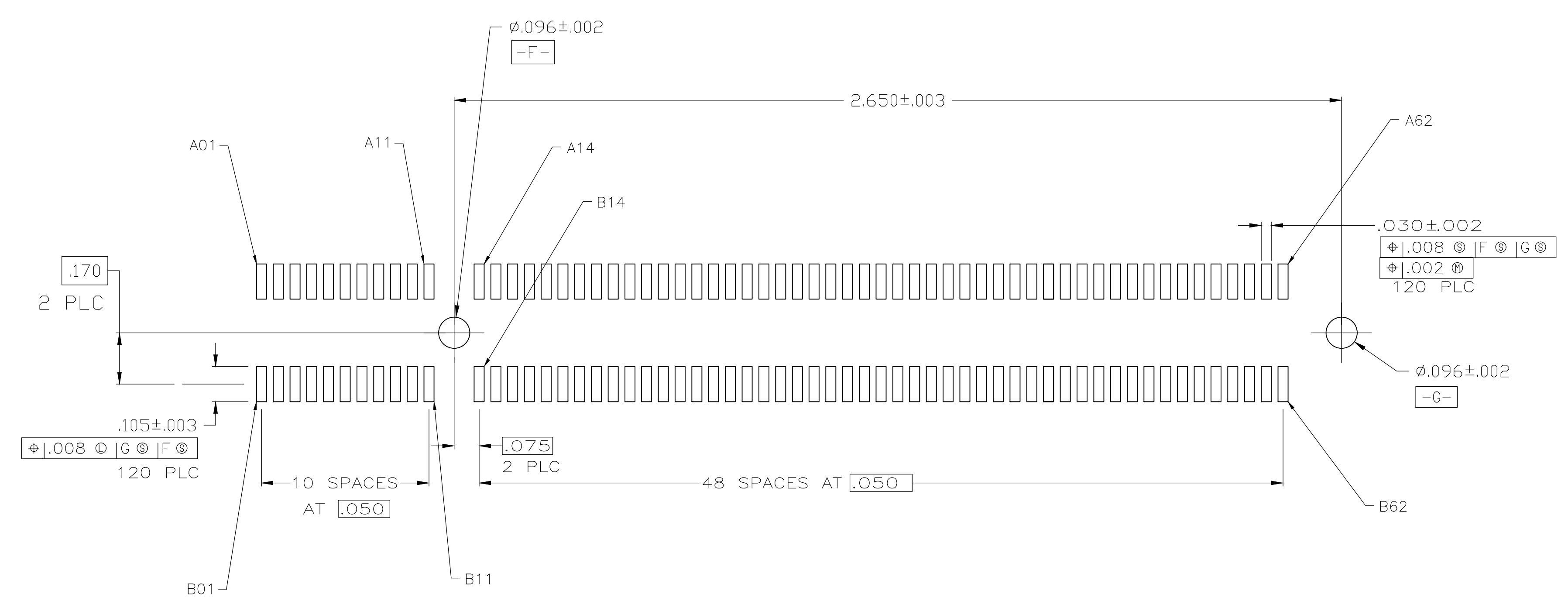
6489898-1 AS SHOWN

THIS DRAWING IS A CONTROLLED DOCUMENT.		DWN AL FRANTUM 24 JUN 05 CHK AL FRANTUM 24 JUN 05 APPV -	TE Connectivity Ltd.	
DIMENSIONS: INCHES	TOLERANCES UNLESS OTHERWISE SPECIFIED: 0 PLC ± - 1 PLC ± .01 2 PLC ± .01 3 PLC ± .005 4 PLC ± .005 ANGLES ± ± 2°	PRODUCT SPEC 108-14034 APPLICATION SPEC 114-13148	NAME CONNECTOR ASSEMBLY, 60 DUAL POSITION SELECT LOAD, .50 SERIES, SURFACE MOUNT	
MATERIAL FINISH		WEIGHT CUSTOMER DRAWING	SIZE A1	CASE CODE 00779
SCALE 4:1		SHEET 1 OF 2	REV A	

REVISIONS				
REV	DATE	DESCRIPTION	BY	APPD
-	-	SEE SHEET 1	-	-



RECOMMENDED MATING BOARD EDGE CONFIGURATION



RECOMMENDED PC BOARD PATTERN  
 (CONNECTOR SIDE SHOWN)

THIS DRAWING IS A CONTROLLED DOCUMENT.		DWN: S. BURKHOLDER 24 JUN 05	TE Connectivity Ltd.	
DIMENSIONS: INCHES		CHK: AL FRANTUM 24 JUN 05	NAME: CONNECTOR ASSEMBLY, 60 DUAL POSITION SELECT LOAD, .50 SERIES, SURFACE MOUNT STANDARD EDGE, SURFACE MOUNT	
TOLERANCES UNLESS OTHERWISE SPECIFIED:		PRODUCT SPEC	RESTRICTED TO	
0 PLC ± -		APPLICATION SPEC	SIZE: A1	
1 PLC ± -		WEIGHT: -	CAGE CODE: 00779	
2 PLC ± .01		DRAWING NO: 6489898		
3 PLC ± .005		CUSTOMER DRAWING		
4 PLC ± -		SCALE: 4:1		
ANGLES ± 2°		SHEET 2 OF 2		
FINISH: SEE SHEET 1		REV: A		

单击下面可查看定价，库存，交付和生命周期等信息

[>>TE Connectivity\(泰科\)](#)