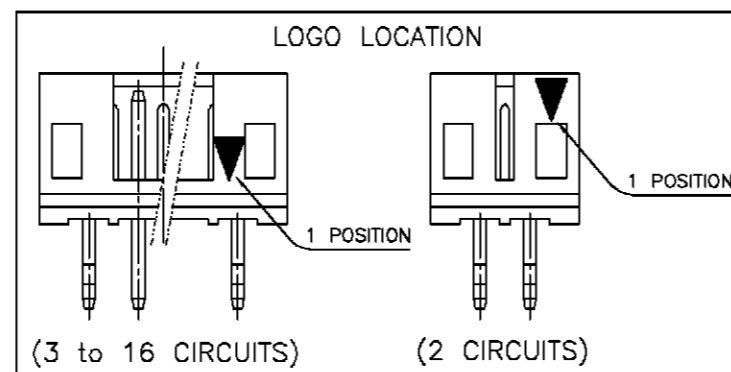
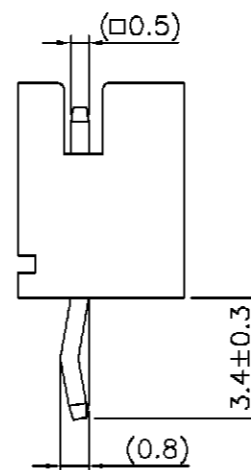
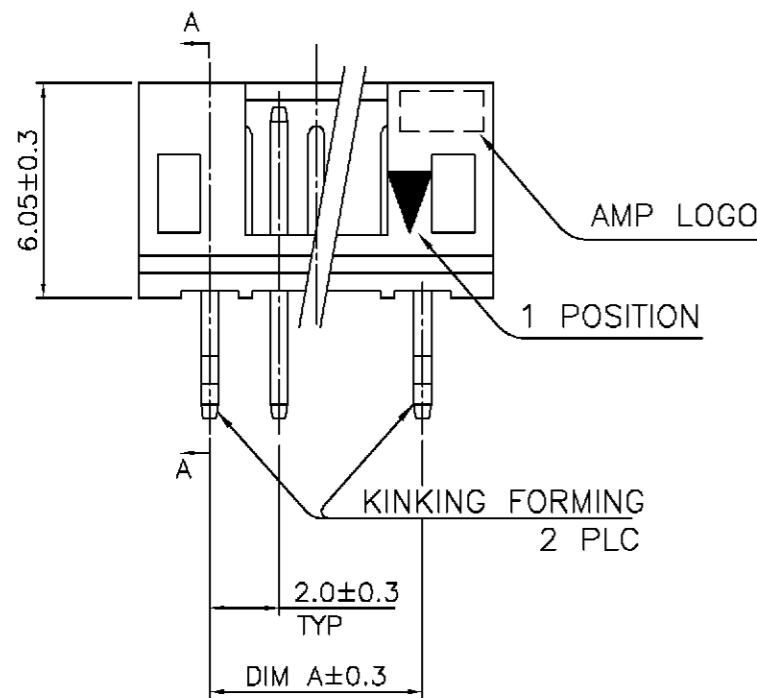


RECOMMENDED PCB LAYOUT
(PCB THICKNESS=1.0~1.6mm)

NOTE:

- MATERIAL:
HOUSING: THERMALPLATIC, UL 94V-0, COLOR: NATURAL.
CONTACT: BRASS, THICKNESS: 0.50mm.
- FINISH:
CONTACT: 80u" MIN. TIN PLATED OVER 30u" MIN. NICKEL PLATED.

SEC. A-A



#2	32.90	34.00	30.00	16P	3-440205-6
	30.90	32.00	28.00	15P	3-440205-5
	28.90	30.00	26.00	14P	3-440205-4
	26.90	28.00	24.00	13P	3-440205-3
	24.90	26.00	22.00	12P	3-440205-2
	22.90	24.00	20.00	11P	3-440205-1
	20.90	22.00	18.00	10P	3-440205-0
	18.90	20.00	16.00	9P	2-440205-9
	16.90	18.00	14.00	8P	2-440205-8
	14.90	16.00	12.00	7P	2-440205-7
	12.90	14.00	10.00	6P	2-440205-6
	10.90	12.00	8.00	5P	2-440205-5
	8.90	10.00	6.00	4P	2-440205-4
	6.90	8.00	4.00	3P	2-440205-3
4.90	6.00	2.00	2P	2-440205-2	
#14	28.90	30.00	26.00	14P	1-440205-4
#11	22.90	24.00	20.00	11P	1-440205-1
#8	20.90	22.00	18.00	10P	1-440205-0
LACK PIN#	DIM C	DIM B	DIM A	POS.	PART NUMBER

TOLERANCES UNLESS OTHERWISE SPECIFIED: 0 PLC ± 1 PLC ±0.25 2 PLC ±0.15 3 PLC ±0.05 ANGLES ±3'	DWN O. HU 19-MAY-2003	TYCO HOLDINGS (BERMUDA) VII LTD. TAIWAN BRANCH NAME		
MATERIAL SEE NOTE	CHK A. WU 19-MAY-2003	APVD J. CHENG 19-MAY-2003	2.0 MM PITCH HPI VERTICAL POST HEADERS, LACK PIN.	
FINISH SEE NOTE	PRODUCT SPEC 108-57340	QUALIFICATION TEST REPORT 501-57391	LOC DW	SIZE A ₃
	WEIGHT	DRAWING NO C-440205	REV B1	
		SCALE --	SHEET 1 OF 2	

ECO-16-002887 REV B1

B	ADD PART NUMBERS	FZ00-D107-03	OH AW 23MAY 2003	
LTR	REVISION RECORD	ECN	DWN CHK DATE	

NUMBER
C-440205

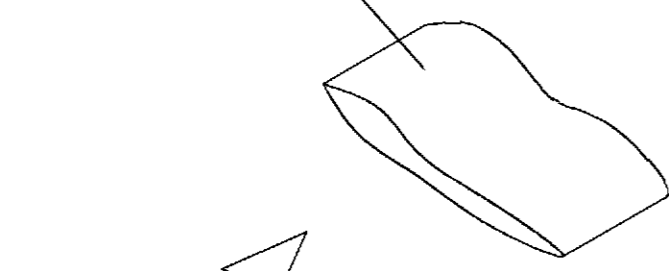


METRIC

THIS INFORMATION IS CONFIDENTIAL AND IS DISCLOSED TO YOU ON CONDITION THAT NO FURTHER DISCLOSURE IS MADE BY YOU TO OTHER THAN AMP PERSONNEL WITHOUT WRITTEN AUTHORIZATION FROM AMP (TAIWAN) LTD. DIMENSIONS IN MILLIMETERS. DO NOT SCALE PRINT.

PRINT
DW

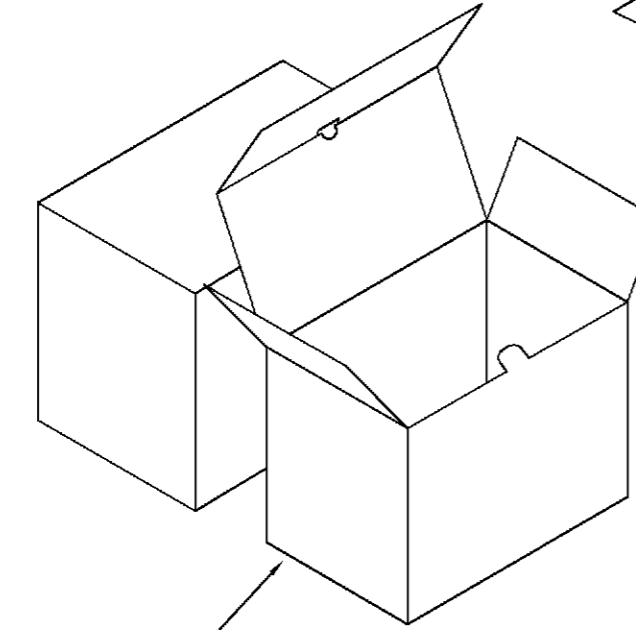
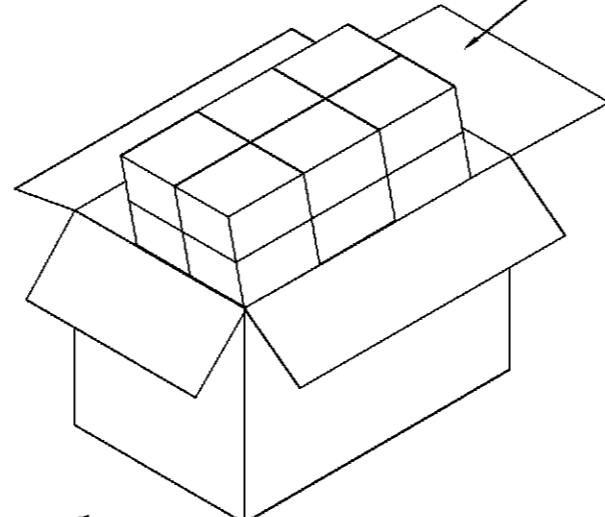
POLY BAG



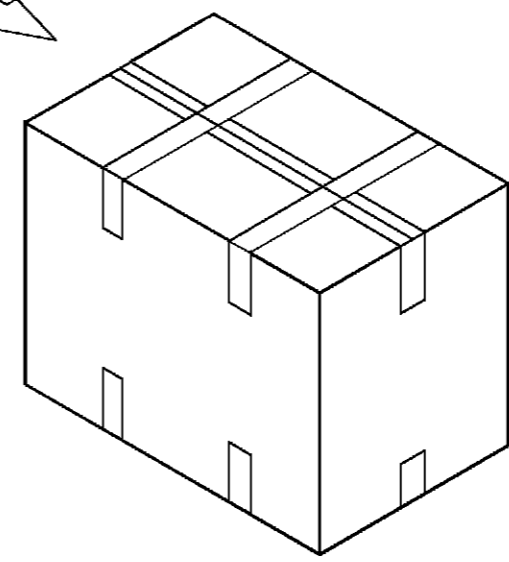
CARTON

340mm(L)X 470mm(W)X 178mm(H)
(FOR HEADER 2P~5P ONLY)

340mm(L)X 470mm(W)X 365mm(H)
(FOR HEADER 6P~16P ONLY)



INNER BOX
320mm(L)X 220mm(W)X 155mm(H)



PCS/CARTON	PCS/BAG	POS.	PART NUMBER
12,000	200	16P	3-440205-6
12,000	200	15P	3-440205-5
12,800	200	14P	3-440205-4
15,000	250	13P	3-440205-3
16,000	250	12P	3-440205-2
18,000	250	11P	3-440205-1
19,200	300	10P	3-440205-0
22,400	350	9P	2-440205-9
22,400	350	8P	2-440205-8
25,600	400	7P	2-440205-7
28,800	450	6P	2-440205-6
17,600	550	5P	2-440205-5
20,800	650	4P	2-440205-4
27,000	750	3P	2-440205-3
40,000	1,000	2P	2-440205-2
12,800	200	14P	1-440205-4
18,000	250	11P	1-440205-1
19,200	300	10P	1-440205-0

TOLERANCES UNLESS OTHERWISE SPECIFIED: 0 PLC ± 1 PLC ± 2 PLC ± 3 PLC ± ANGLES ±	DWN	O. HU	TYCO HOLDINGS (BERMUDA) VII LTD. TAIWAN BRANCH		
	CHK	A. WU			
MATERIAL SEE NOTE	APVD	J. CHENG	NAME 2.0 MM PITCH HPI VERTICAL POST HEADERS, LACK PIN.		
	PRODUCT SPEC	19-MAY-2003			
FINISH SEE NOTE	QUALIFICATION TEST REPORT	LOC	SIZE	DRAWING NO	REV
	WEIGHT	DW		C-440205	B1
			SCALE	SHEET	
			--	2 OF 2	

SEE SHEET 1.	ECN	DWN	CHK	DATE
LTR	REVISION RECORD			

单击下面可查看定价，库存，交付和生命周期等信息

[>>TE Connectivity\(泰科\)](#)