

THIS DRAWING IS UNPUBLISHED.

RELEASED FOR PUBLICATION

ALL RIGHTS RESERVED.

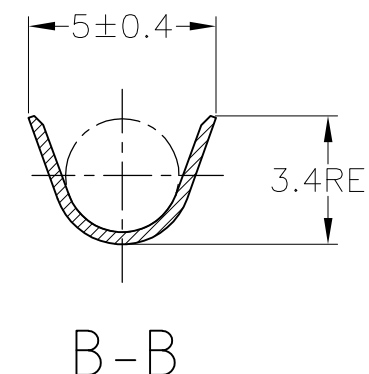
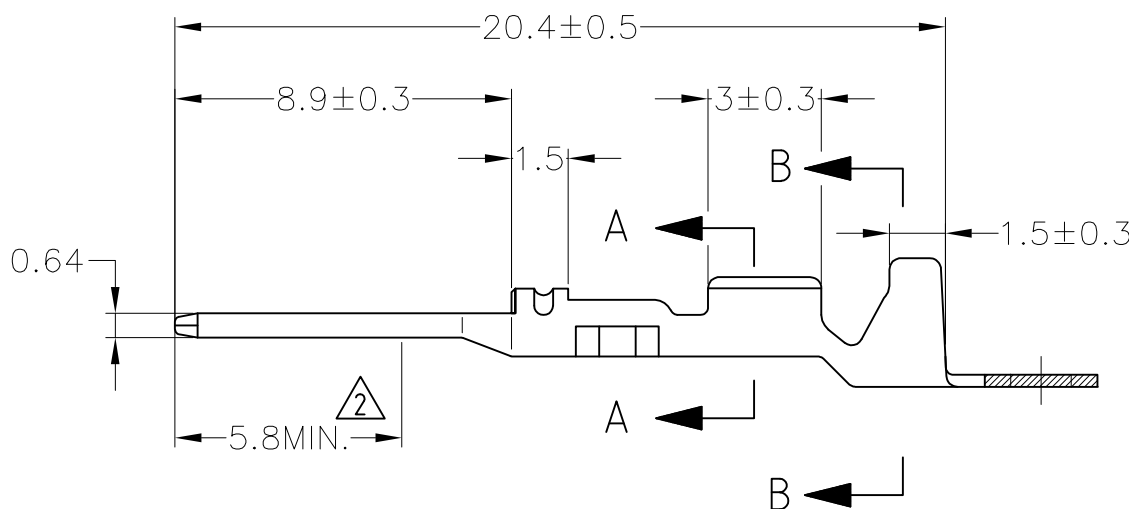
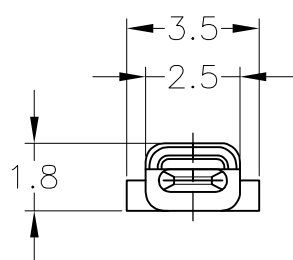
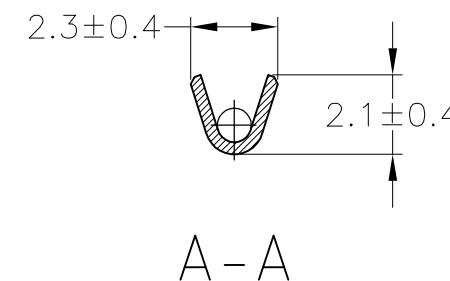
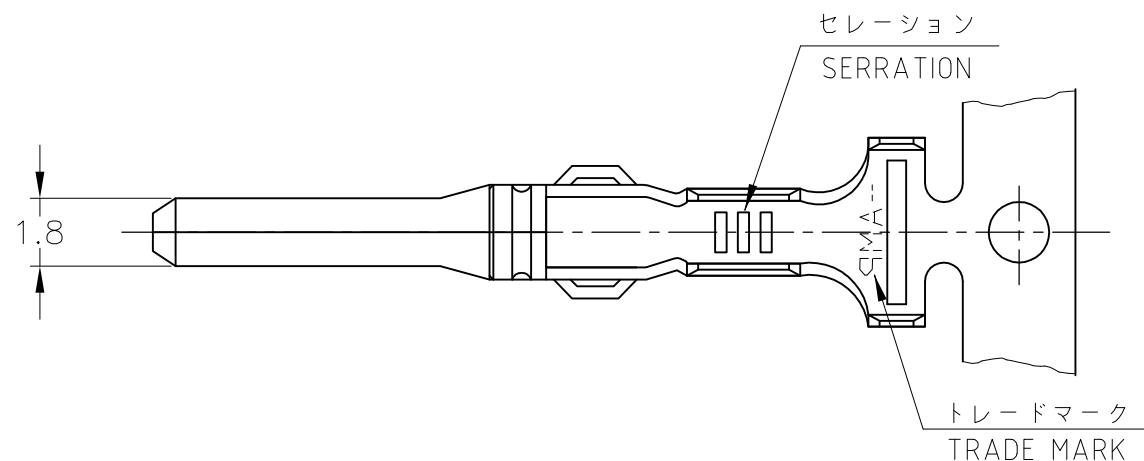
© COPYRIGHT - By -

LOC J

DIST -

REVISIONS

P	LTR	DESCRIPTION	DATE	DWN	APVD
	C1	REVISED PER ECO-11-005140	31MAR11	RK	HMR



1. 嵌合相手端子型番 : 171630
 △ 部分金めっき

1. RECEPTACLE CONTACT : 171630
 △ SELECTIVE GOLD PLATING

△ 2 SELECTIVE GOLD PLATING 部分金めっき	BRASS 黄銅 板厚0.32	171631-2	2
PRE-TIN (0.76μm MIN.) 錫めっき済	BRASS 黄銅 板厚0.32	171631-1	1
FINISH 仕上	MATERIAL 材料	PN 型番	ITEM No. 項番

WIRE RANGE
抱合電線断面積 AV,AVS
0.2-0.5mm² (AWG #24-#20)

INSULATION DIA
被覆外径 1.4-2.4

THIS DRAWING IS A CONTROLLED DOCUMENT.

DIMENSIONS: 単位: 耗 mm	TOLERANCES UNLESS OTHERWISE SPECIFIED: 一般公差
	0 PLC ± - 1 PLC ± - 2 PLC ± - 3 PLC ± - 4 PLC ± - ANGLES ± -

一般公差 (GENERAL TOLERANCE)	
10以下	±0.2
10を超え 30以下	±0.25
30を超え 100以下	±0.3
角度	±3°

MATERIAL
材料 SEE TABLE
表参照

FINISH
仕上 SEE TABLE
表参照

DWN T.SHINOHARA	27JUN01
CHK K.BETSUI	27JUN01
APVD K.BETSUI	27JUN01
PRODUCT SPEC 製品規格	-
APPLICATION SPEC 取付適用規格	114-5082
WEIGHT	0.35 g

TE Connectivity		NAME 名称	
		ECONOSEAL J-MARKII+ CONNECTOR TAB CONTACT	
SIZE	CAGE CODE	DRAWING NO 番号	RESTRICTED TO
A3	00779	C-171631	-

CUSTOMER DRAWING SCALE 5:1 SHEET 1 OF 1 REV C1

单击下面可查看定价，库存，交付和生命周期等信息

[>>TE Connectivity\(泰科\)](#)