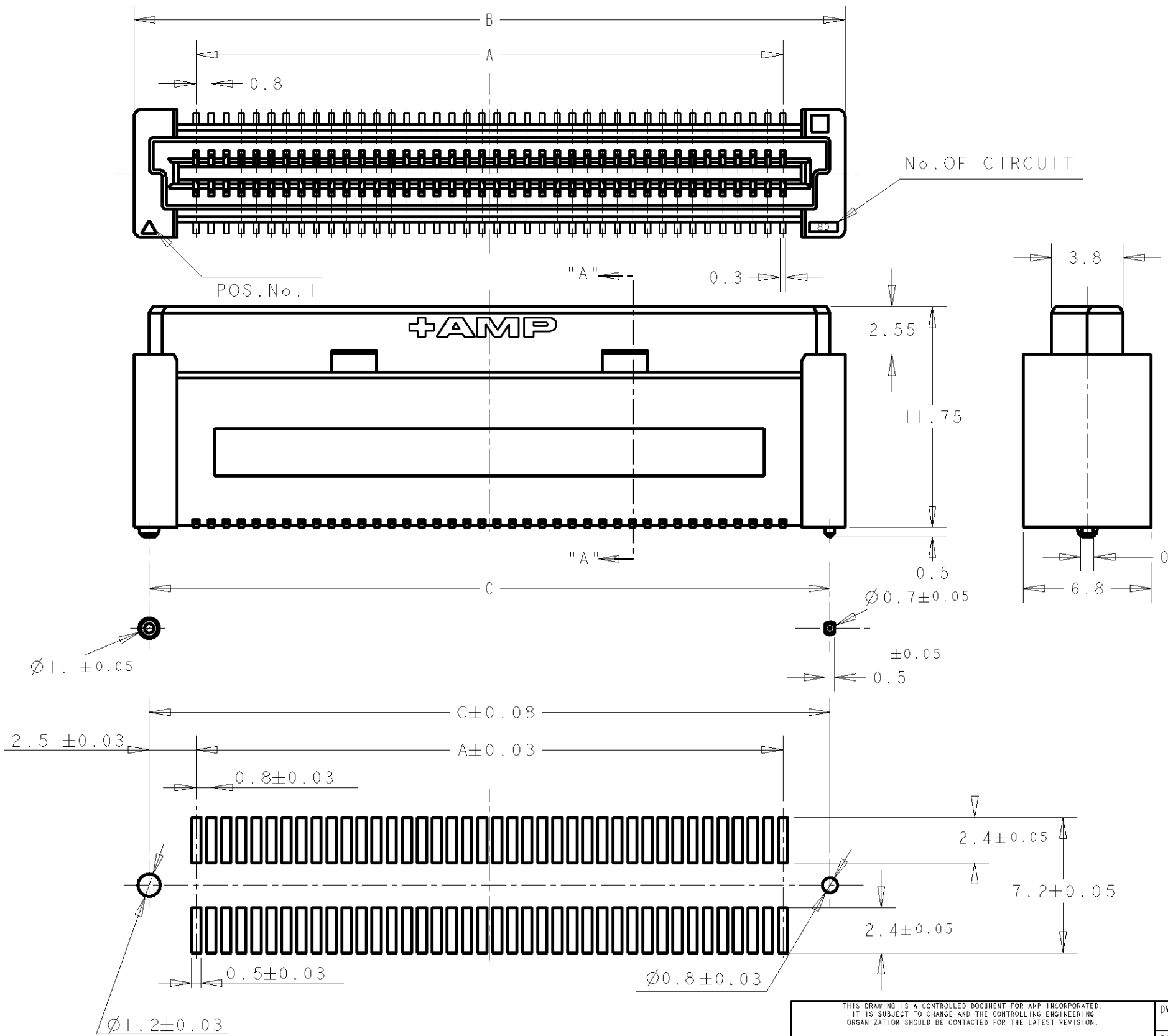
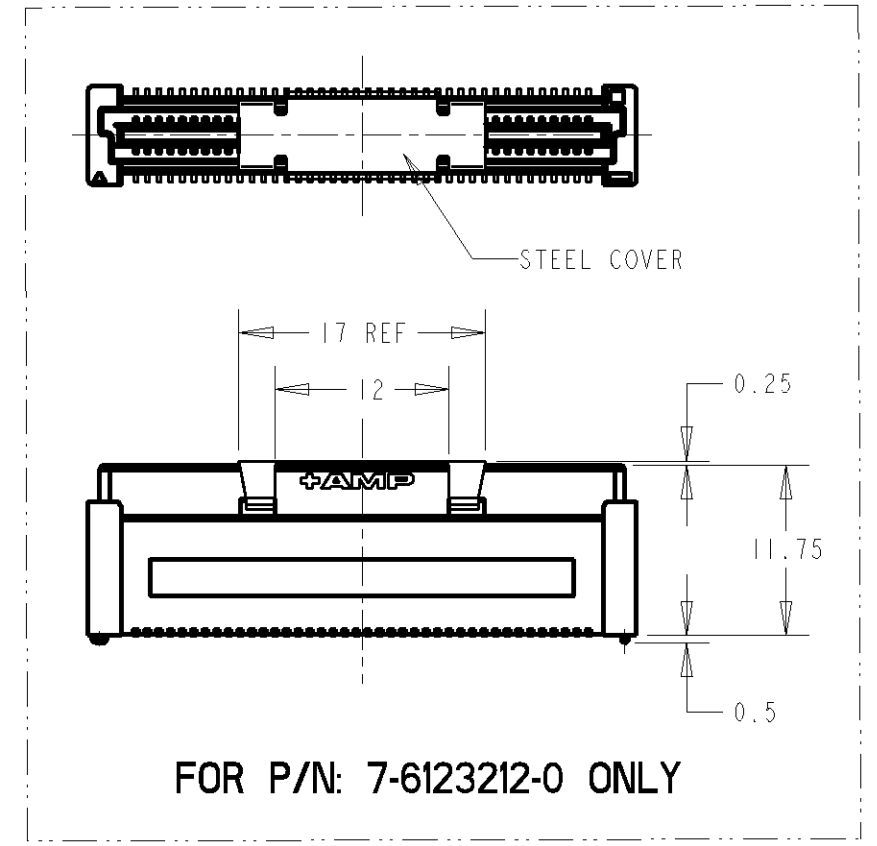


THIS DRAWING IS UNPUBLISHED. RELEASED FOR PUBLICATION .19 .  
 © COPYRIGHT 19 BY AMP INCORPORATED. ALL RIGHTS RESERVED.

LOC	DIST	REVISIONS					
DY	-	P	LTR	DESCRIPTION	DATE	DWN	APVD
		01		REVISED PER ECR-06-029208	14DEC06	SYJ	LSF



- NOTES:
- 1. MATERIAL: HOUSING: L.C.P. (HIGH TEMP. THERMOPLASTIC) UL 94V-0, NATURAL. CONTACT: BERYLIUM COPPER.
  - 2. FINISH: CONTACT AREA: 0.00076 MIN GOLD ON 0.0013 MIN ALL OVER NICKEL. SOLDERING AREA: 0.002 MIN MATTE-TIN
  - 3. POSITION SERIES: SEE TABLE. (SHEET 2)
  - 4. CONN STACK HEIGHT COMBINE OF PLUG "Y" H VS REC "X" H. STACK HEIGHT = Y + X - 5
  - 5. FOR STEEL COVER PICK AND PLACE VERSION, DESCRIPTION PRINTING ON TUBE IS: "REC ASS'Y (H=13mm), W/ STEEL COVER, 0.8mm BTB STACKING CONN"



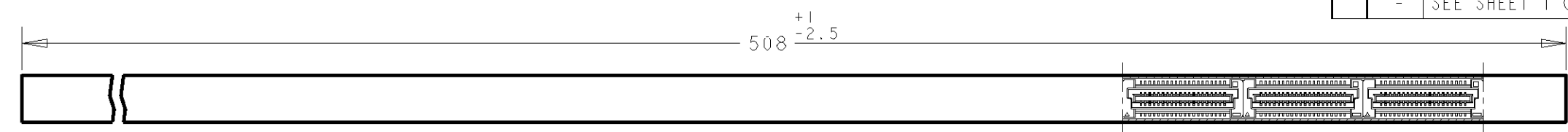
P/N SEE SHEET 2 OF 2

RECOMMENDED P.C. BOARD LAYOUT

THIS DRAWING IS A CONTROLLED DOCUMENT FOR AMP INCORPORATED. IT IS SUBJECT TO CHANGE AND THE CONTROLLING ENGINEERING ORGANIZATION SHOULD BE CONTACTED FOR THE LATEST REVISION.		DWN FLORENCE TAN 23AUG04	Tyco Electronics (Singapore) Pte. Ltd.
DIMENSIONS: mm		CHK ERIC TNG	
TOLERANCES UNLESS OTHERWISE SPECIFIED:		APVD SF J FONG	NAME REC ASSY
0 PLC ±		PRODUCT SPEC 108-5390	FOR FH 0.8 B-T-B CONNECTOR 13H
1 PLC ±0.30		APPLICATION SPEC 114-5254	0.5 BOSS LENGTH (0.76um GOLD)
2 PLC ±0.25		WEIGHT -	SIZE A3
3 PLC ±0.20		CUSTOMER DRAWING	CAGE CODE 00779
4 PLC ±			DRAWING NO C-6123212
ANGLES ±3°			SCALE 4:1
MATERIAL	FINISH		SHEET 1 OF 2
1	2		REV 01

THIS DRAWING IS UNPUBLISHED. RELEASED FOR PUBLICATION .19 .  
 © COPYRIGHT 19 BY AMP INCORPORATED. ALL RIGHTS RESERVED.

LOC	DIST	REVISIONS			
P	LTR	DESCRIPTION	DATE	DWN	APVD
DY	-	- SEE SHEET 1 OF 2	-	-	-



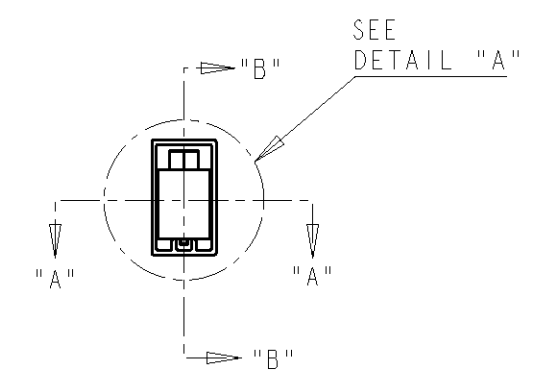
REFERENCE PICTURE OF TUBE PACK (WITHOUT STEEL COVER VERSION)

SECT "A" - "A"

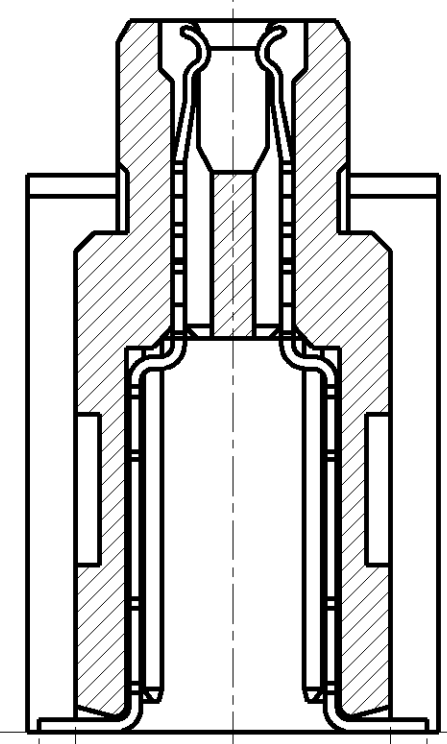


REC ASS'Y (H=13mm), 0.8mm BTB STACKING CONN

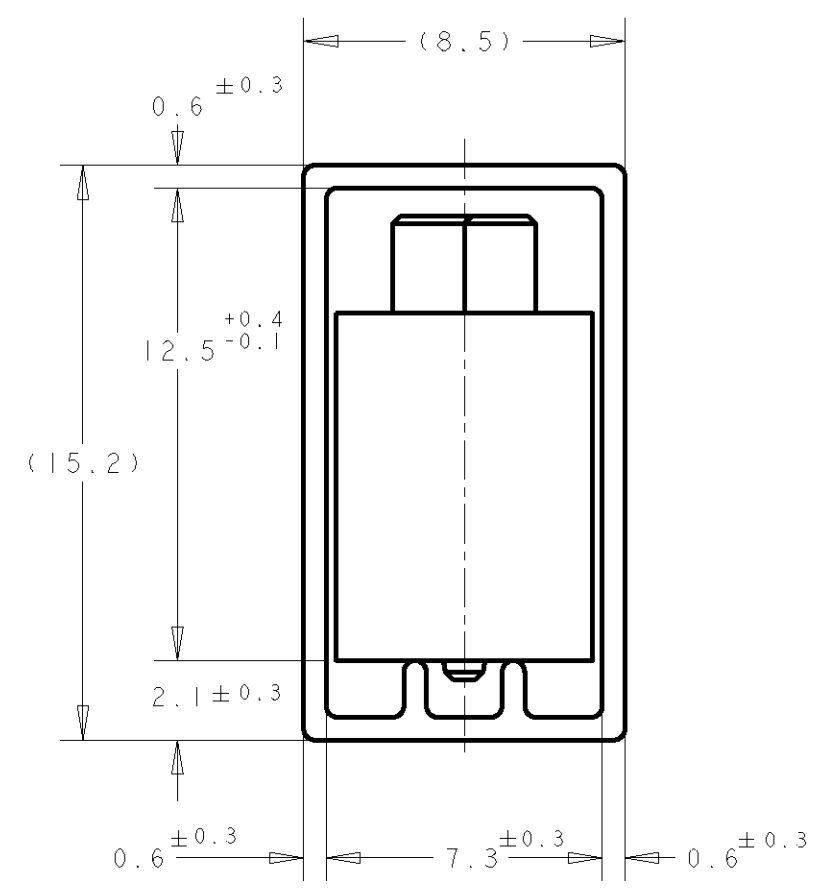
SECT "B" - "B"



SEE DETAIL "A"

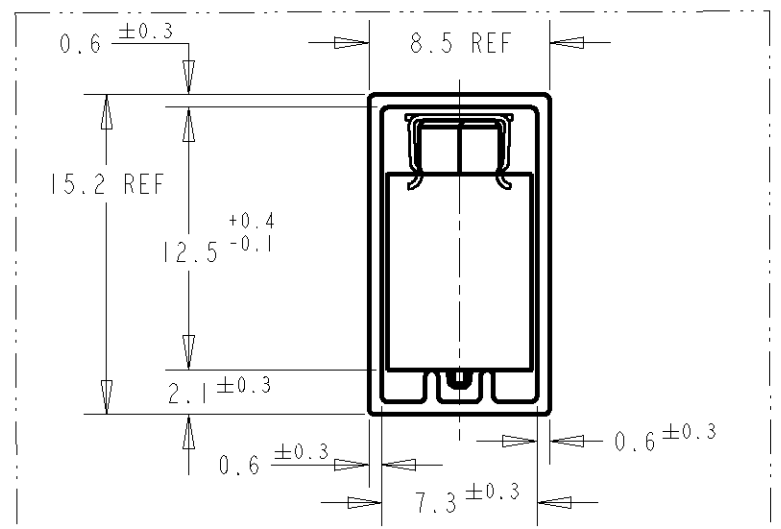


SECT "A" - "A"  
(SCALE: 8-1)



DETAIL "A"  
(SCALE 5-1)

REMARKS	STATUS	C	B	A	POS.	PART No.
WITH STEEL COVER	AVAILABLE	84.20	85.80	79.20	200	7- -0
		84.20	85.80	79.20	200	6- -0
WITHOUT STEEL COVER	AVAILABLE	76.20	77.80	71.20	180	5- -9
		68.20	69.80	63.20	160	5- -8
		60.20	61.80	55.20	140	5- -6
		52.20	53.80	47.20	120	5- -5
		44.20	45.80	39.20	100	5- -4
		36.20	37.80	31.20	80	5- -3
		28.20	29.80	23.20	60	5- -2
		20.20	21.80	15.20	40	5-6123212-1



FOR P/N: 7-6123212-0 ONLY

THIS DRAWING IS A CONTROLLED DOCUMENT FOR AMP INCORPORATED. IT IS SUBJECT TO CHANGE AND THE CONTROLLING ENGINEERING ORGANIZATION SHOULD BE CONTACTED FOR THE LATEST REVISION.

DWN: FLORENCE TAN (16SEP04)  
 CHK: ERIC TNG  
 APVD: SF L FONG

**tyco Electronics** Tyco Electronics (Singapore) Pte. Ltd.

NAME: REC ASSY FOR FH 0.8 B-T-B CONNECTOR 13H 0.5 BOSS LENGTH (0.76um GOLD)

PRODUCT SPEC: 108-5390  
 APPLICATION SPEC: 114-5254

SIZE: A3 CAGE CODE: 00779 DRAWING NO: C-6123212

MATERIAL: 1 FINISH: 2

WEIGHT: -

CUSTOMER DRAWING SCALE: 4:1 SHEET: 2 OF 2 REV: 01

单击下面可查看定价，库存，交付和生命周期等信息

[>>TE Connectivity\(泰科\)](#)