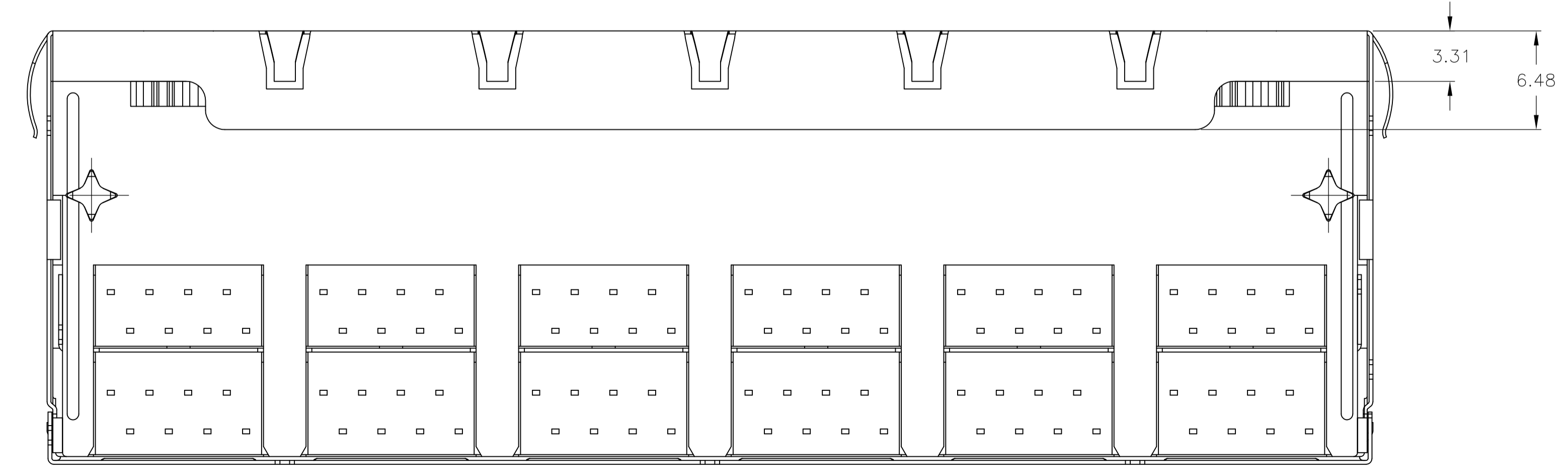
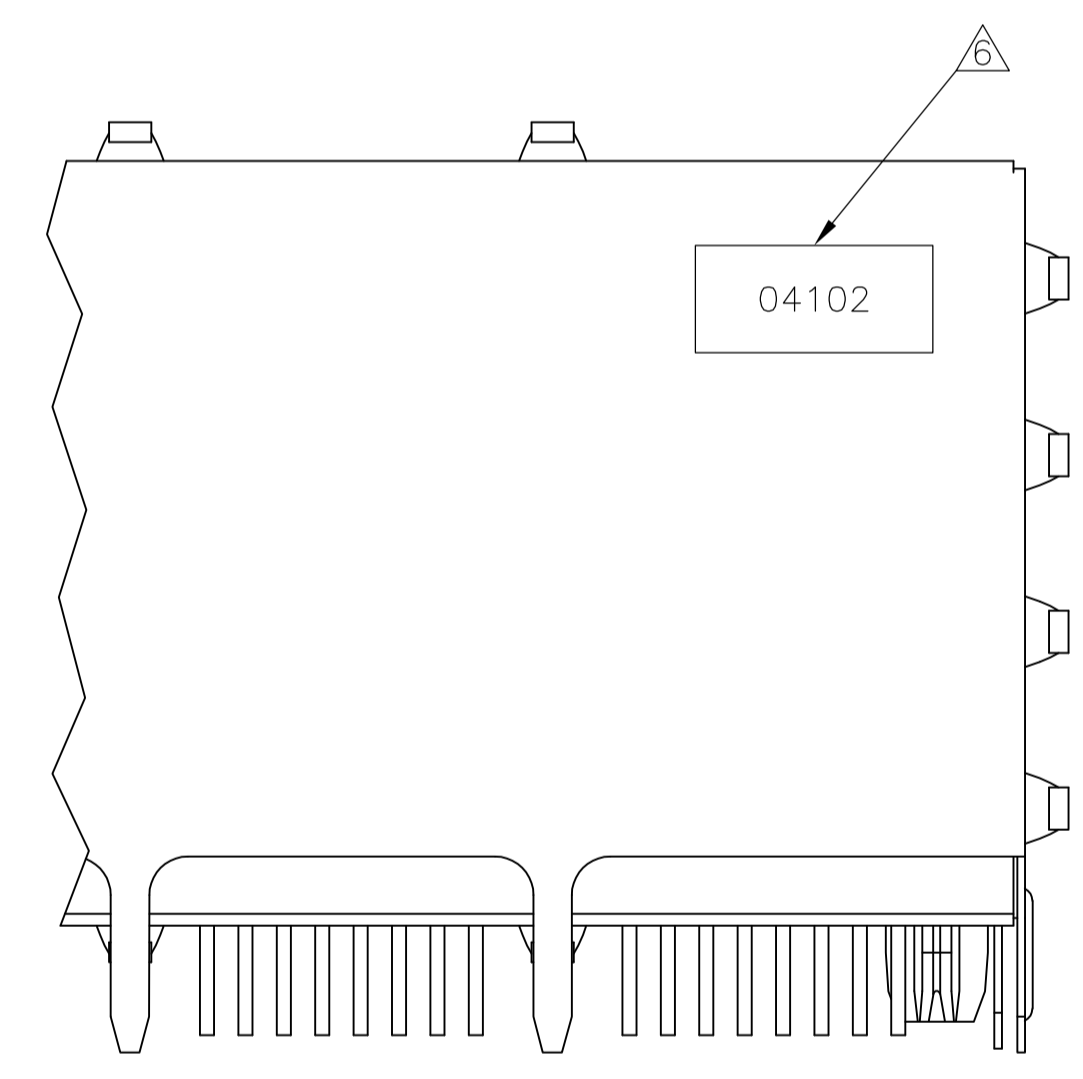
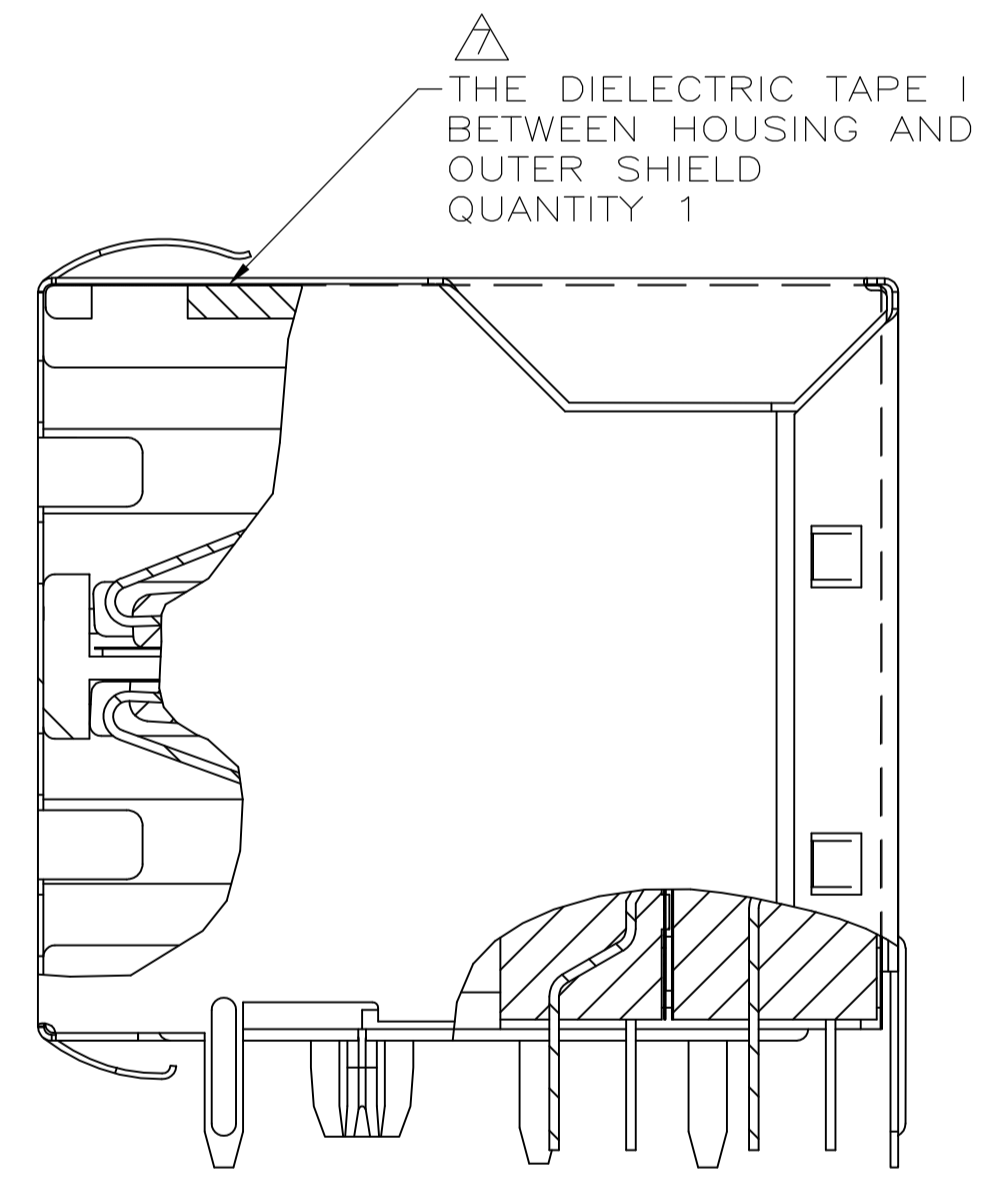
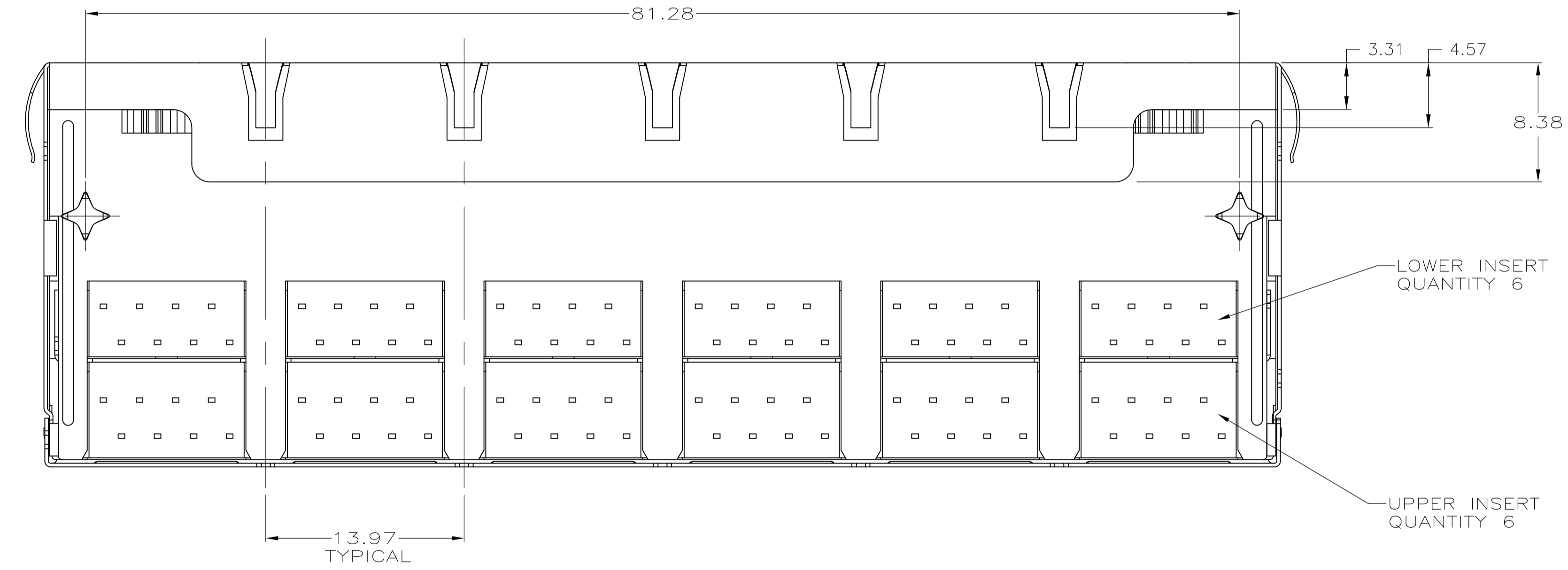


- ⚠ MATERIAL: HOUSING - HIGH TEMPERATURE THERMOPLASTIC, BLACK, UL 94V-0. OVERMOLDED TERMINAL ARRAY - PBT, BROWN. TERMINALS - 0.33 [.013] THICK PHOSPHOR BRONZE PLATED WITH 1.27μm [.000050] MIN THICK HARD GOLD IN LOCALIZED AREA AND 3.81μm [.000150] MIN THICK MATTE TIN IN SOLDER AREA OVER 1.27μm [.000050] MIN THICK NICKEL UNDERPLATE. OUTER SHIELD: 0.196 [.0077] THICK COPPER ALLOY PLATED 1.27μm [.000050] MIN NICKEL, PCB GROUND TABS DIPPED WITH 2.03μm [.000080] MIN TIN.
- ⚠ JACK CAVITY CONFORMS TO FCC RULES AND REGULATIONS, PART 68 SUBPART F.
- ⚠ INNER SHIELD TABS FINAL FORMED AND SIZED BY MATING WITH MODULAR PLUGS TO REDUCE INITIAL MATING INSERTION FORCE. APPLIES TO PN 6116000-1 & -4 ONLY.
- ⚠ USE #30 DRILL BIT OR 3.25mm DRILL BIT WHEN PRODUCING THESE PCB HOLES.
- 5. ALL DIMENSIONS NOMINAL UNLESS OTHERWISE SPECIFIED.
- ⚠ DATE CODE LOCATED ON REAR OF PART APPROX AS SHOWN: FIRST 2 DIGITS ARE LAST 2 DIGITS OF YEAR, SECOND 2 DIGITS ARE MANUFACTURING WORK WEEK, LAST DIGIT IS DAY OF WEEK, WITH SUNDAY=1.
- ⚠ THE DIELECTRIC TAPES ARE ONLY FOR PN 6116000-4.
- ⚠ THE PN 6116000-4 IS PRELIMINARY.
- ⚠ DIELECTRIC WITHSTANDING VOLTAGE: 2250 VDC BETWEEN CONTACT AND SHIELD.
- ⚠ WITH IMPROVED CONTACT, REDUCING CONFLICTS WITH PLUG.

PN 6116000-2 & -3 SHOWN



PN 6116000-1 & -4 SHOWN
(WITH SHORT BOTTOM PANEL GROUND TABS AND 3 REAR TABS)

NICKEL	A,C,E	3	⚠ ⚠ 6116000-4 ⚠ ⚠
NICKEL	A,B,C,D,E	5	6116000-3
NICKEL	A,B,C,D,E	5	6116000-2
NICKEL	A,C,E	3	⚠ ⚠ 6116000-1
SHIELD PLATING	HOLES USED	NO. OF REAR TABS	PART NUMBER

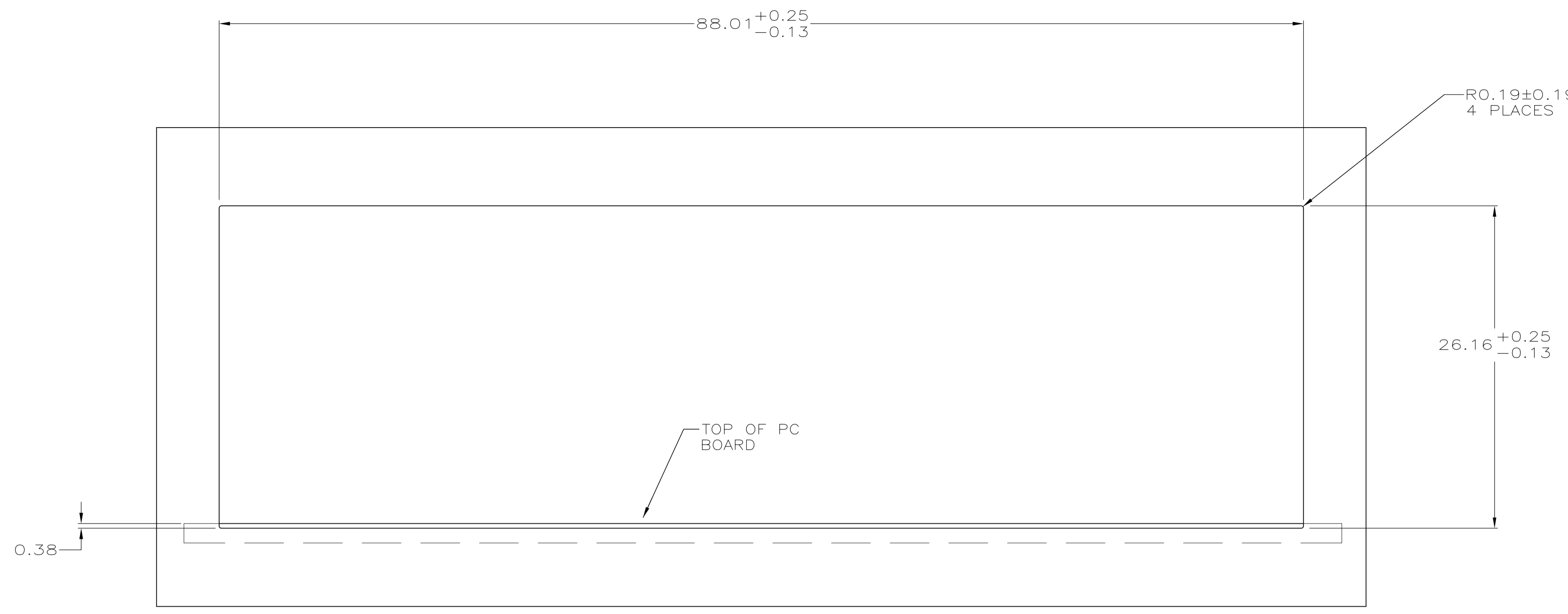
THIS DRAWING IS A CONTROLLED DOCUMENT.

DIMENSIONS: mm	TOLERANCES UNLESS OTHERWISE SPECIFIED:	0 PLC ± 0.13	1 PLC ± 0.13	2 PLC ± 0.13	3 PLC ± 0.13	4 PLC ± 0.13	ANGLES ±
MATERIAL	FINISH	WEIGHT	SCALE	SIZE	CAGE CODE	DRAWING NO.	RESTRICTED TO
			4:1	A1	00779	6116000	

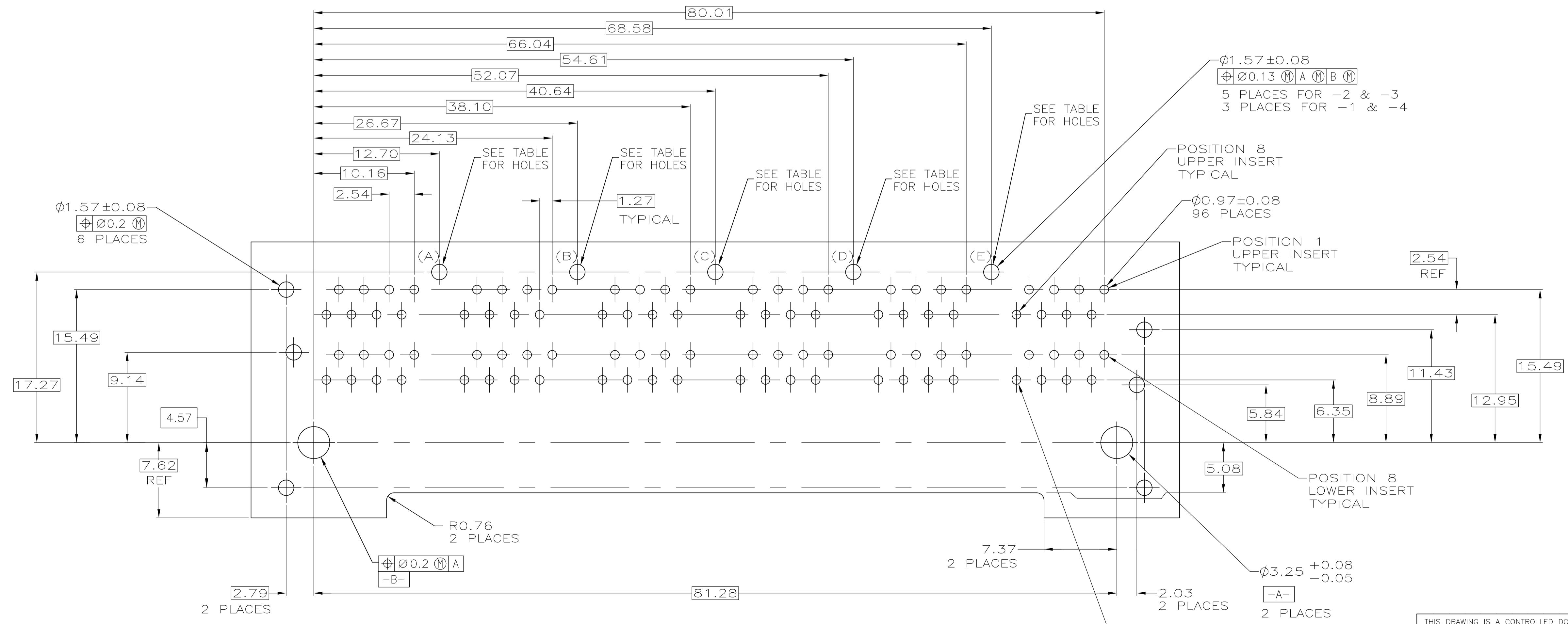
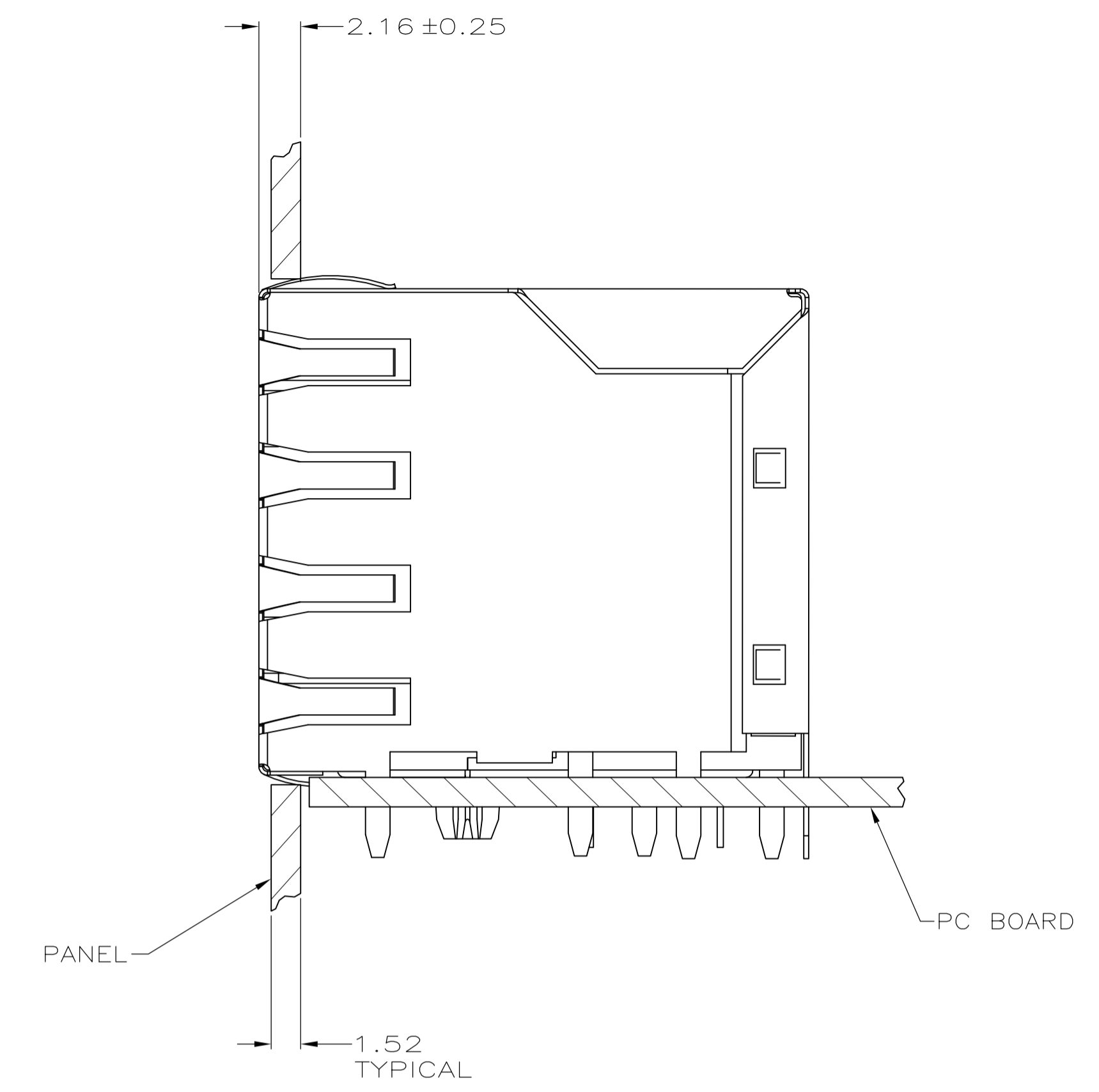
CUSTOMER DRAWING

DATE: 08/JUN/2005
DRAWN BY: L. VARELA - DOCKS
CHECKED BY: J. WESTMAN
APPROVED BY: S. FLICKINGER
NAME: STACKED MODULAR JACK ASSEMBLY, 2x6 PORT, RJ45, SHIELDED, WAVE PANEL GROUNDS, CAT 5/GIGABIT ETHERNET
PRODUCT SPEC: 108-1163-2
APPLICATION SPEC: 114-2048

SCALE: 4:1 SHEET: 1 OF 2 REV: D



SUGGESTED PANEL CUTOUT DIMENSIONS



PC BOARD LAYOUT VIEWED FROM COMPONENT SIDE

THIS DRAWING IS A CONTROLLED DOCUMENT.		DIN	L. VARELA - DOCKS	08/JUN/2005	 TE Connectivity
DIMENSIONS: mm		CHK	J. WESTMAN	08/JUN/2005	
TOLERANCES UNLESS OTHERWISE SPECIFIED:		APVD	S. FLICKINGER	08/JUN/2005	NAME STACKED MODULAR JACK ASSEMBLY, 2x6 PORT, RJ45, SHIELDED, WAVE PANEL GROUNDS, CAT 5/GIGABIT ETHERNET
0 PLC ± 0.13		PRODUCT SPEC	108-1163-2		
1 PLC ± 0.13		APPLICATION SPEC	114-2048		
2 PLC ± 0.13		SIZE	A1		
3 PLC ± 0.13		WEIGHT	00779		SCALE 4:1 SHEET 2 OF 2 REV D
4 PLC ± 0.13		CUSTOMER DRAWING	6116000		
ANGLES ±					

单击下面可查看定价，库存，交付和生命周期等信息

[>>TE Connectivity\(泰科\)](#)