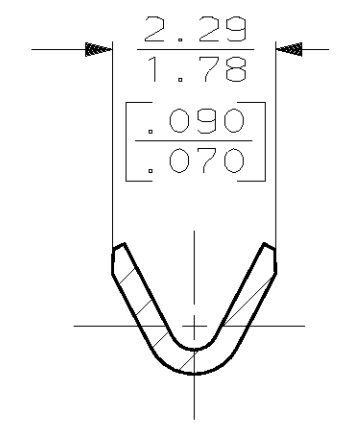
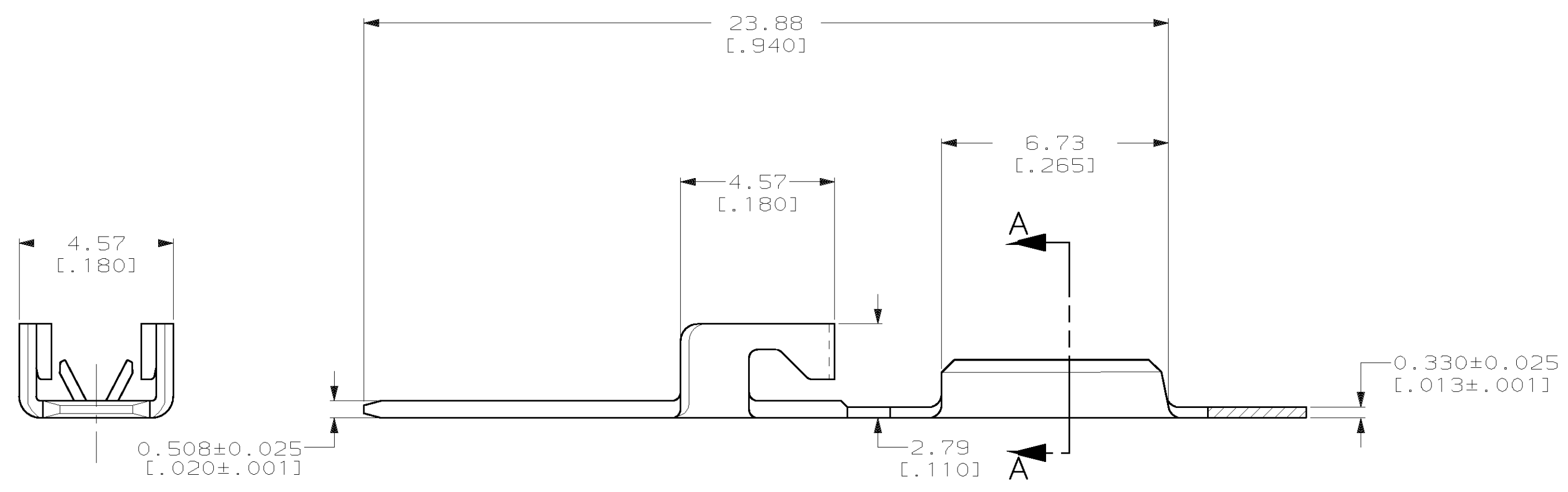
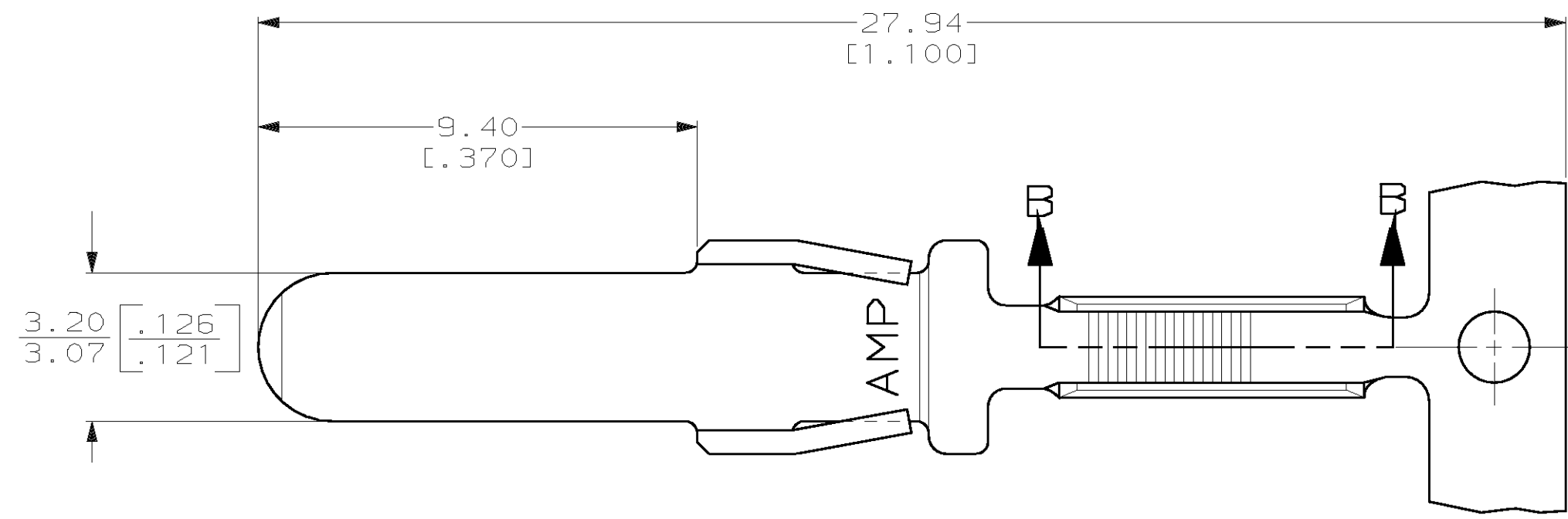
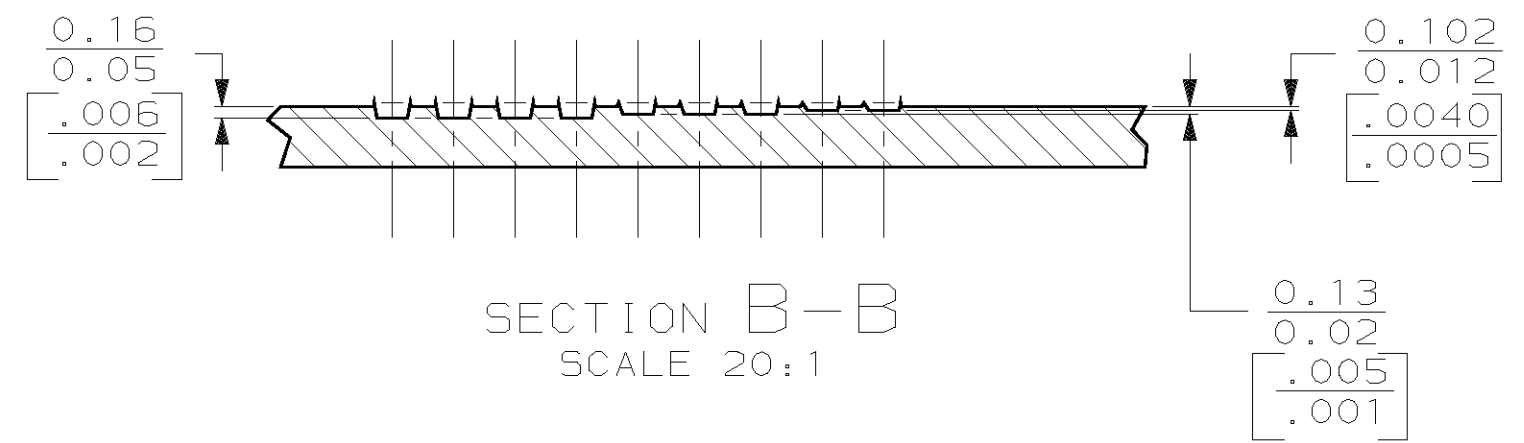


| REVISIONS |      |   |   | DATE                 | APPD          |
|-----------|------|---|---|----------------------|---------------|
| LOC       | DIST | P | F | DESCRIPTION          |               |
| AF        | 50   |   |   | REV PER 0G1A-0048-99 | 04JUN99 JR/DD |

1 CONTINUOUS STRIP ON REEL.



SECTION A-A  
SCALE 10:1



SECTION B-B  
SCALE 20:1

|             |           |
|-------------|-----------|
| 200-850 CMA | 1217072-1 |
| WIRE RANGE  | PART NO   |

|   |                            |   |     |                  |           |
|---|----------------------------|---|-----|------------------|-----------|
| DO NOT SCALE PRINT. UNLESS SPECIFIED DIMENSIONS IN mm [INCHES] TOLERANCES ON:<br>2 PLC DEC ± 0.25 [.010]<br>3 PLC DEC ± -<br>ANGLES ± -                                       | DR 3/10/98<br>JR RUTH      | AMP Incorporated<br>Harrisburg, PA 17105-3608 |     |                  |           |
|   | CHK 3/10/98<br>P FORTNEY   |   |     | NAME             |           |
| MATERIAL<br><br>4M BRASS  | APPD 3/10/98<br>DON DECKER | CONTACT,<br>3.18 [.125] BLADE, AMPLIVAR       |     |                  |           |
| FINISH<br>0.002032 [.000080]<br>MIN TIN PL<br>PER MIL-T-10727   | APPD 3/10/98<br>D BRATINA  |   |     | SIZE             | CAGE CODE |
| THIS DRAWING IS A CONTROLLED DOCUMENT FOR AMP INCORPORATED. IT IS SUBJECT TO CHANGE AND THE CONTROLLING ENGINEERING ORGANIZATION SHOULD BE CONTACTED FOR THE LATEST REVISION. | APPLICATION SPEC           | SCALE   | 8:1 | SHEET            | 1 OF 1    |
|   | WEIGHT -                   | C=1217072                                     |     | CUSTOMER DRAWING |           |

单击下面可查看定价，库存，交付和生命周期等信息

[>>TE Connectivity\(泰科\)](#)