

THIS DRAWING IS UNPUBLISHED.

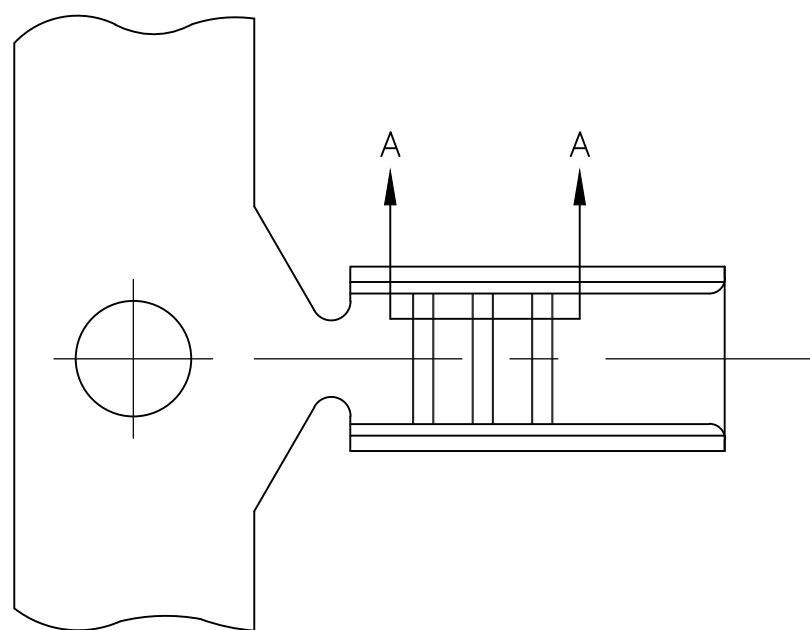
RELEASED FOR PUBLICATION

ALL RIGHTS RESERVED.

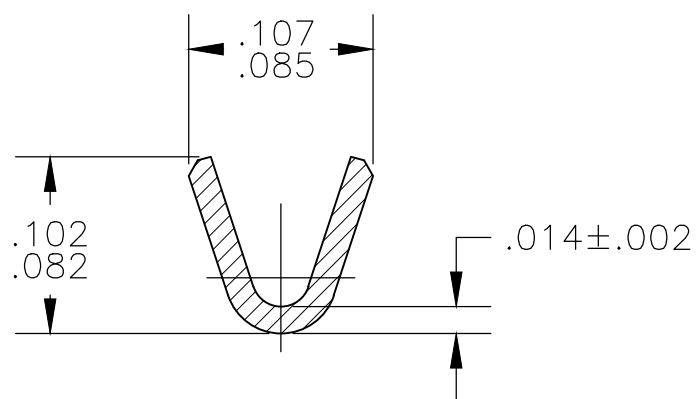
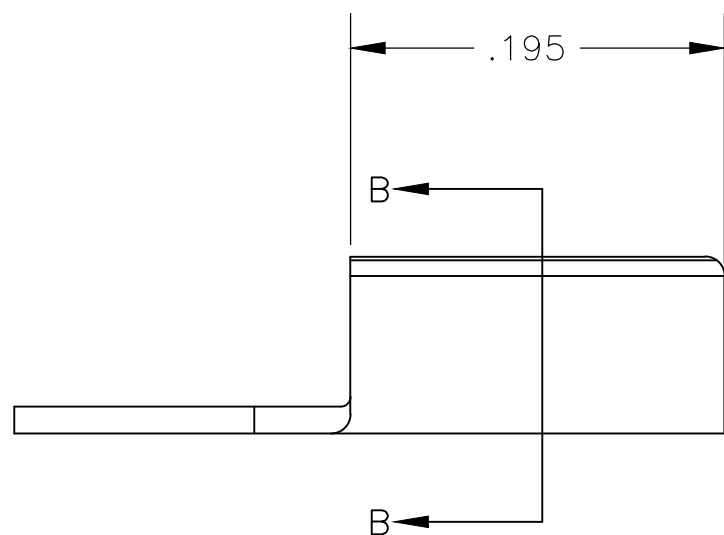
© COPYRIGHT - TE Connectivity

REVISIONS

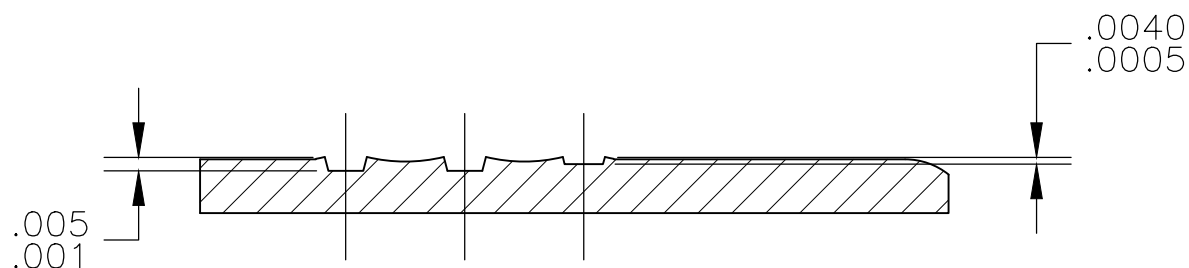
P	LTR	DESCRIPTION	DATE	DWN	APVD
	E2	REVISED PER ECR-12-009678	31JUL2018	BDA	KR



- 1 CONTINUOUS STRIP ON REELS
- 2 P/N 62341-3 SAME AS P/N 62341-1 EXCEPT REVERSE REELED
- 3 CRIMP WIDTH: .070 F
CRIMP HEIGHT: $(\pm.002) = (\text{TOTAL CMA} + 4,000) / 128,000$



SECTION B-B



SECTION A-A
SCALE 20:1

	480-1500 CMA	TIN	2 62341-3
OBSOLETE	480-1500 CMA	NONE	62341-2
	480-1500 CMA	TIN	62341-1
	WIRE RANGE	FINISH	PART NO

THIS DRAWING IS A CONTROLLED DOCUMENT.		DWN	11OCT2006		STE TE Connectivity											
DIMENSIONS: INCHES		CHK	-													
TOLERANCES UNLESS OTHERWISE SPECIFIED:		APVD	-													
<table border="0"> <tr><td>0 PLC</td><td>± -</td></tr> <tr><td>1 PLC</td><td>± -</td></tr> <tr><td>2 PLC</td><td>± -</td></tr> <tr><td>3 PLC</td><td>± .015</td></tr> <tr><td>4 PLC</td><td>± -</td></tr> <tr><td>ANGLES</td><td>± 1° 0'</td></tr> </table>		0 PLC	± -	1 PLC		± -	2 PLC	± -	3 PLC	± .015	4 PLC	± -	ANGLES	± 1° 0'	PRODUCT SPEC	-
0 PLC	± -															
1 PLC	± -															
2 PLC	± -															
3 PLC	± .015															
4 PLC	± -															
ANGLES	± 1° 0'															
MATERIAL	BRASS	FINISH	SEE TABLE		NAME	-										
		APPLICATION SPEC	114-2016		SIZE	CAGE CODE	DRAWING NO	RESTRICTED TO								
		WEIGHT	-		A3	00779	C-62341	-								
CUSTOMER DRAWING					SCALE	10:1	SHEET	1 OF 1								
					REV	E2										

单击下面可查看定价，库存，交付和生命周期等信息

[>>TE Connectivity\(泰科\)](#)