

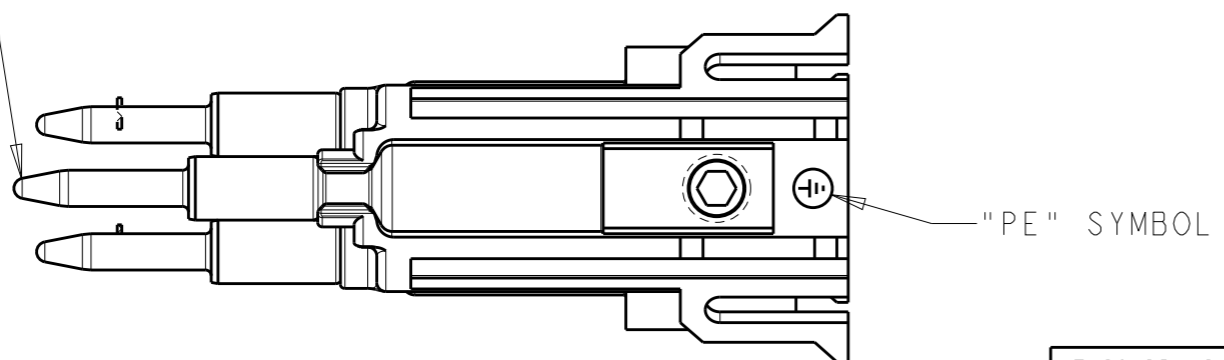
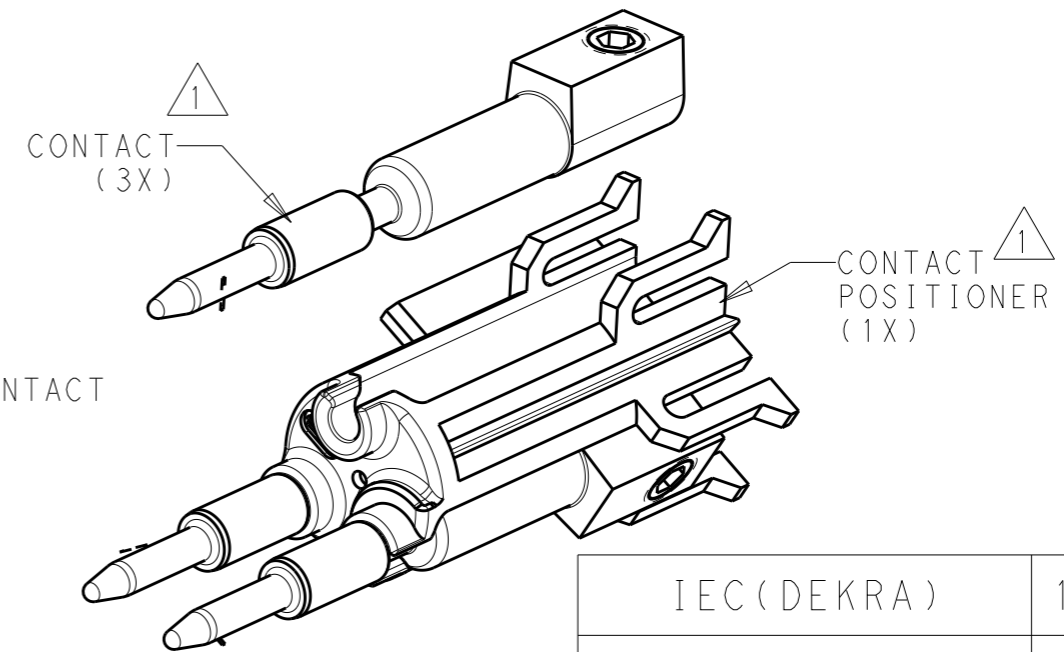
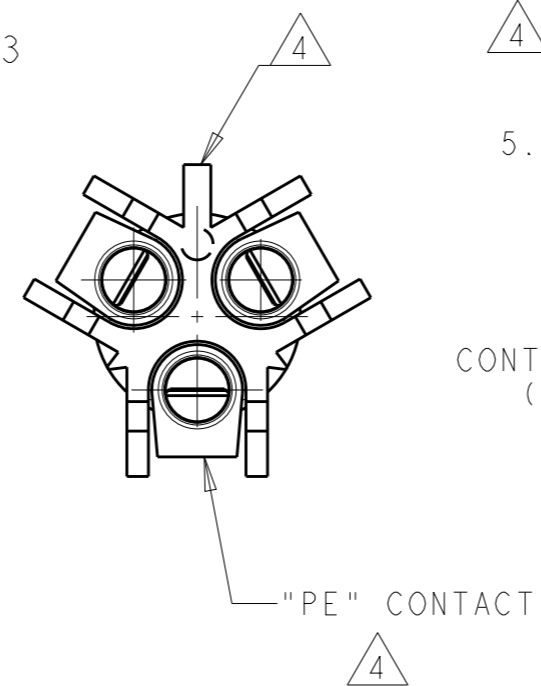
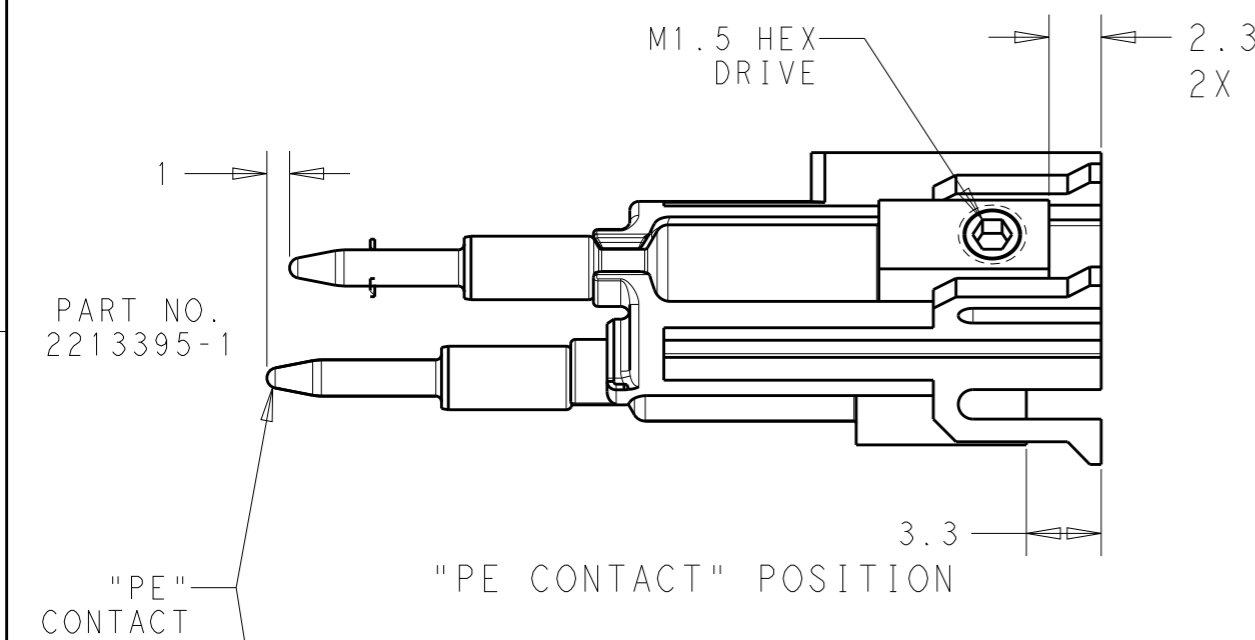
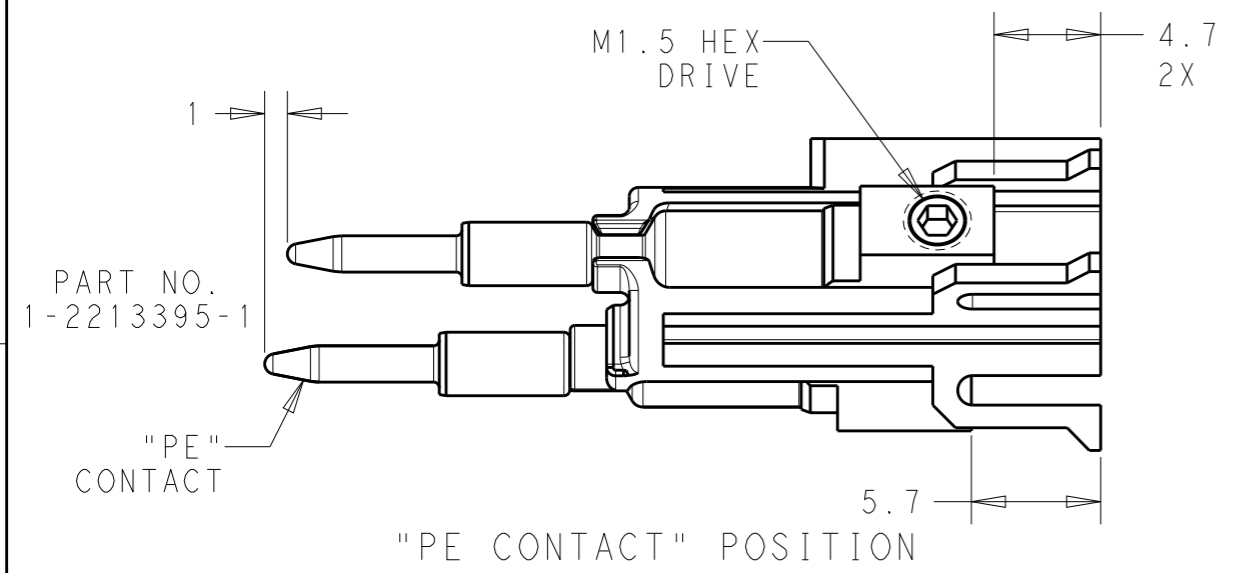
THIS DRAWING IS UNPUBLISHED. RELEASED FOR PUBLICATION 20
 © COPYRIGHT 20 BY - ALL RIGHTS RESERVED.

REVISIONS

P	LTR	DESCRIPTION	DATE	DWN	APVD
	A	REVISED AS PER ECR-15-005925	21APR2015	RS	JL
	A1	REVISED AS PER ECR-15-011621	06AUG2015	RS	JL

NOTES:

- 1 MATERIALS:
 CONTACTS: COPPER ALLOY, TIN PLATE
 CONTACT POSITIONER: GLASS FILLED PBT, COLOR BLACK.
- 2. MUST COMPLY WITH DIRECTIVE 2002/95/EC (ROHS)
- 3. CONTACTS (3X) ARE PRE-ASSEMBLED INTO CONTACT POSITIONER AS SHOWN.
- 4 ASSEMBLY "KEY" ALIGNS WITH "PE" CONTACT AS SHOWN.
- 5. THIS PRODUCT HAS NOT COMPLETED VALIDATION TESTING.



IEC(DEKRA)	1-2213395-1
UL	2213395-1
AGENCY APPROVALS	PART NO.

THIS DRAWING IS A CONTROLLED DOCUMENT.		DWN J. SHAFFER 31MAR2014	TE Connectivity			
DIMENSIONS: mm		CHK M. LUKSIC 31MAR2014				
		APVD M. LUKSIC 31MAR2014				
TOLERANCES UNLESS OTHERWISE SPECIFIED:		PRODUCT SPEC 108-133014	NAME ASSY, FI PIN, NECTOR M-LINE SEALED, 3 POSN			
0 PLC ±- 1 PLC ±0.2 2 PLC ±0.13 3 PLC ±- 4 PLC ±- ANGLES ±		APPLICATION SPEC 114-32111	SIZE A3	CAGE CODE -	DRAWING NO C-2213395	RESTRICTED TO -
MATERIAL TBD		WEIGHT -	SCALE 3:1		SHEET 1 OF 1	REV A1
-		Customer Drawing				

单击下面可查看定价，库存，交付和生命周期等信息

[>>TE Connectivity\(泰科\)](#)