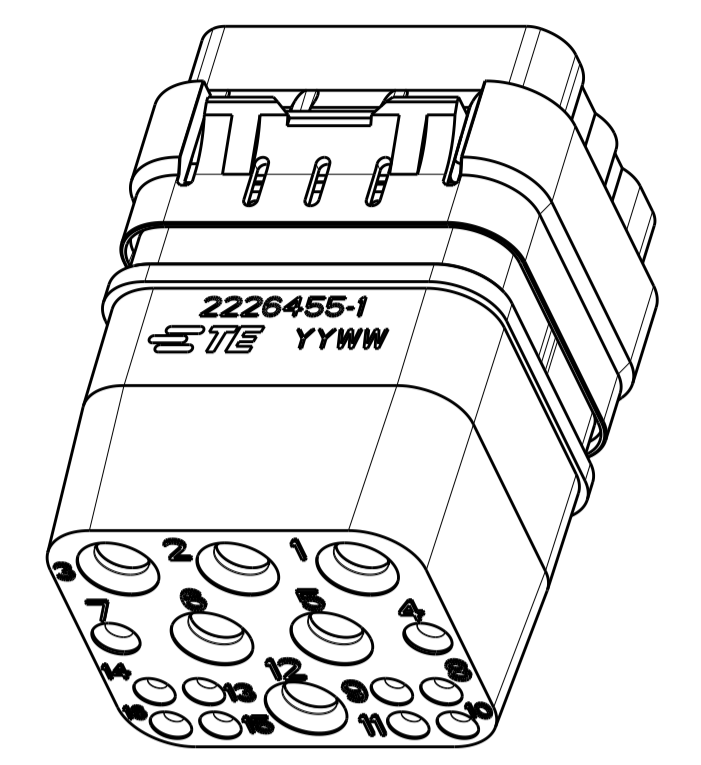
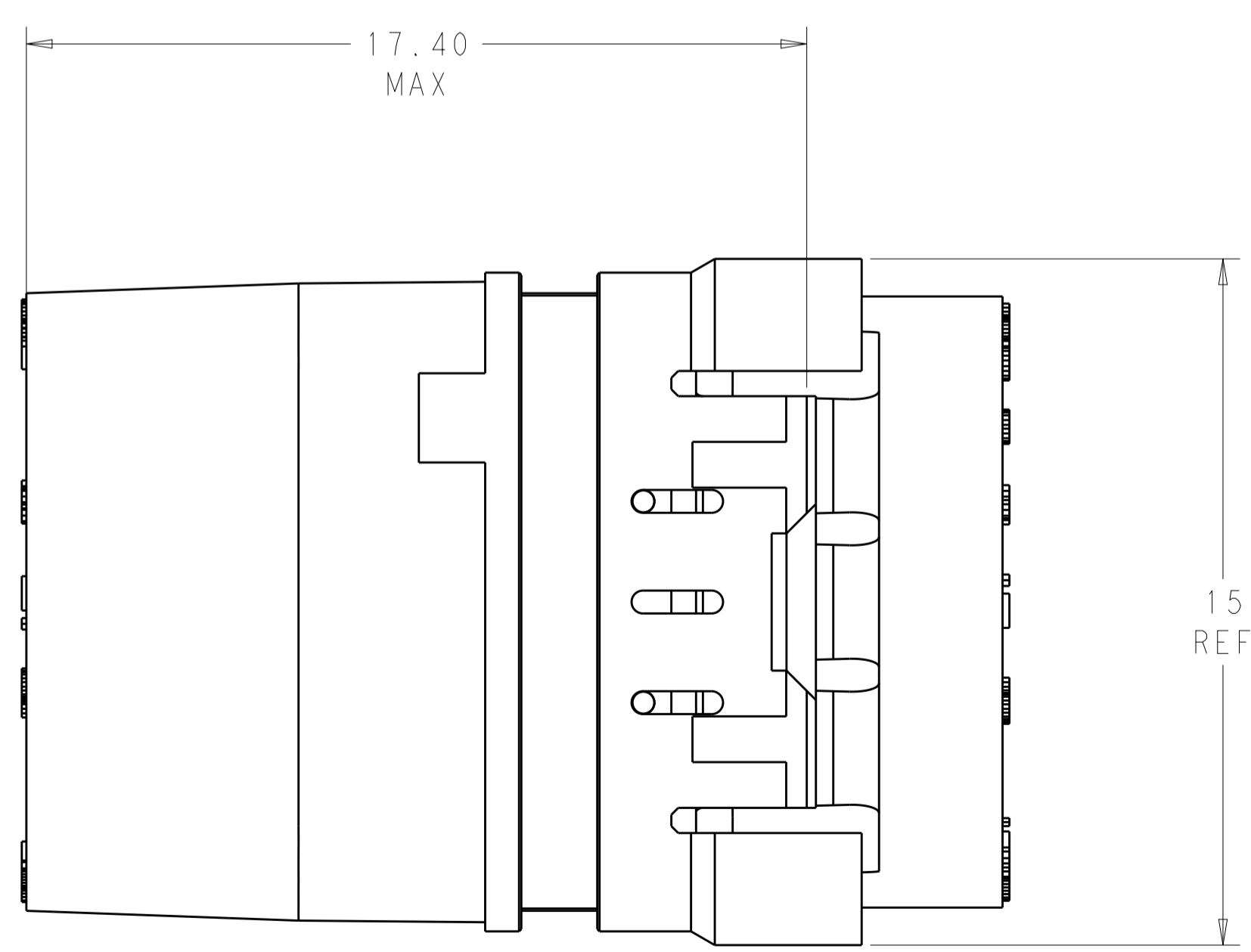
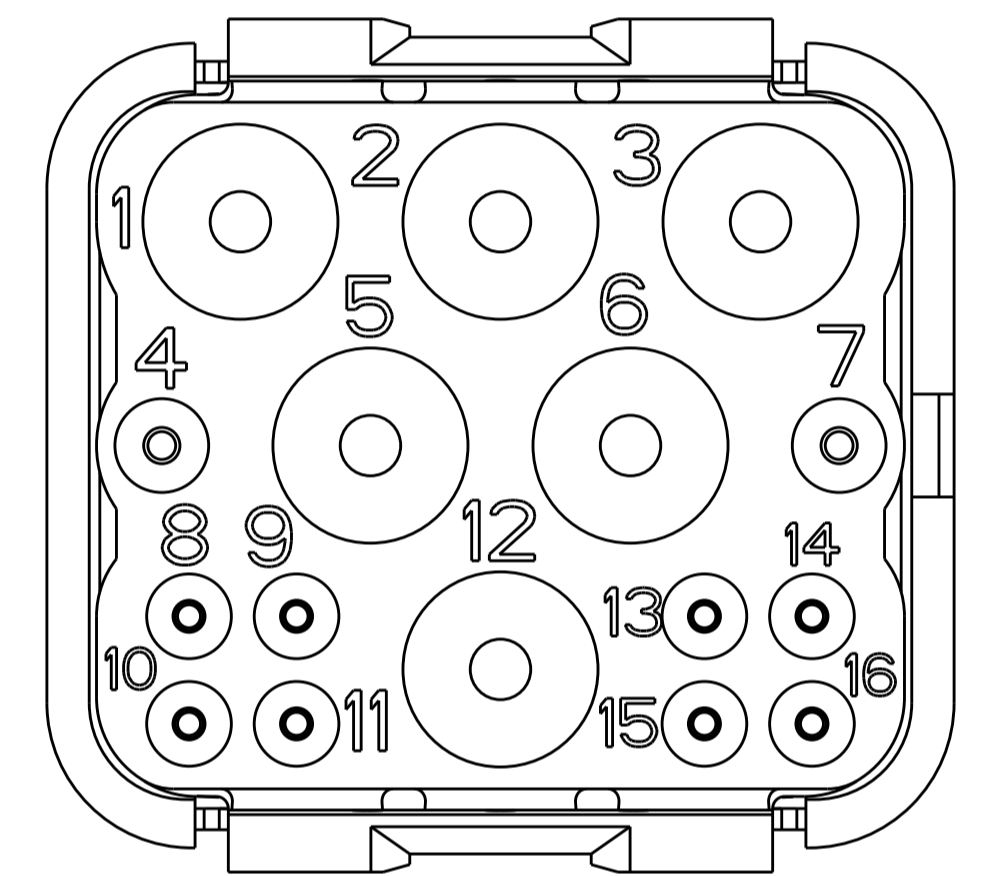
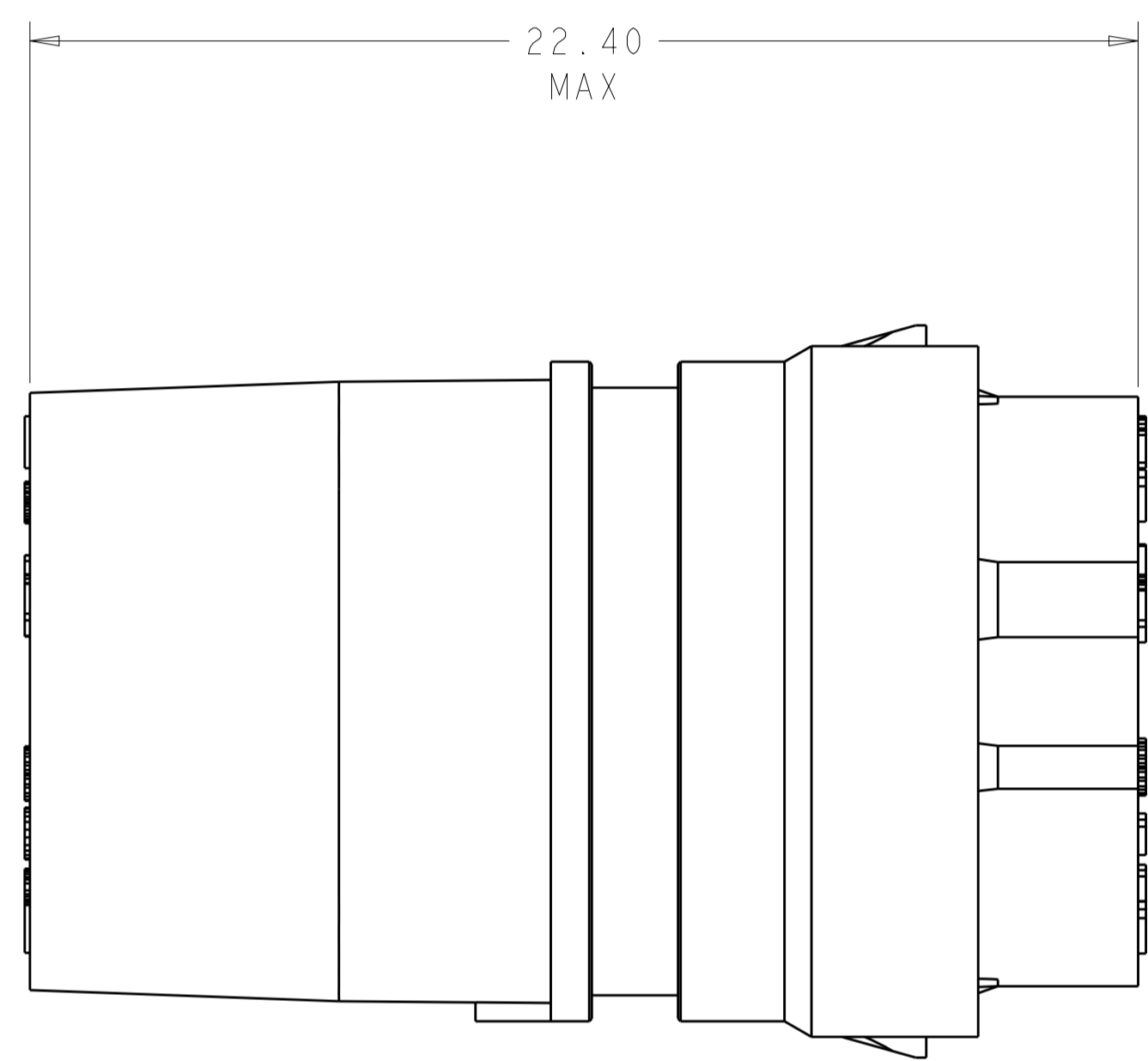
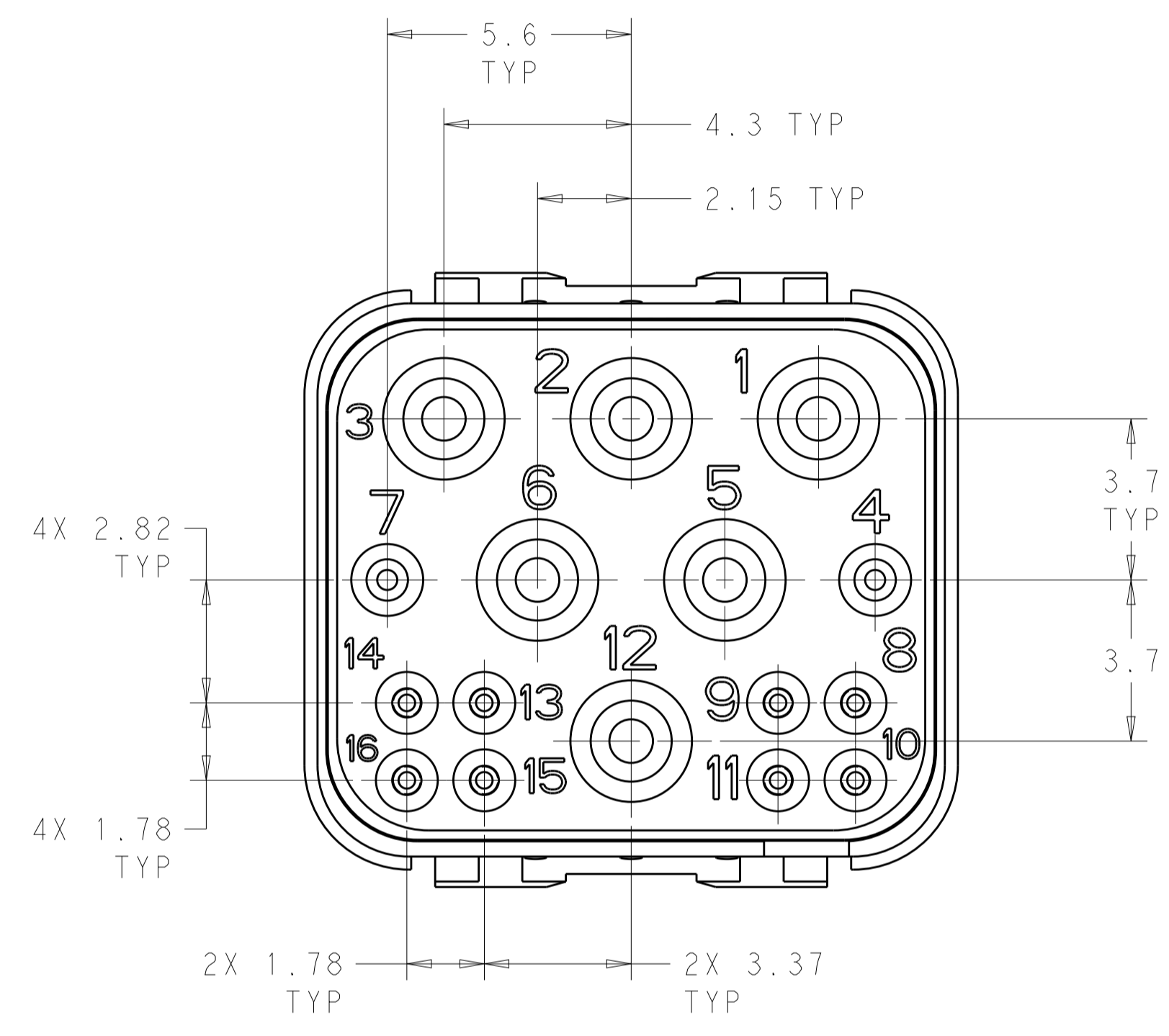


- TEMPERATURE RANGE: -55°C TO +175°C
- MATERIAL: THERMOPLASTIC, FLUOROSILICONE
- CHARACTERISTICS:
  - DELIVERED WITHOUT CONTACTS, MUST BE ORDERED SEPARATELY.
  - SOCKET #16 CONTACTS (QTY=6) PER MIL-C 39029/57-358 (DEUTSCH P/N 38946-16L)
  - SOCKET #22 CONTACTS (QTY=2) PER MIL-C 39029/57-354 (DEUTSCH P/N 38946-22L)
  - SOCKET GbE CONTACTS (QTY=8) (DEUTSCH P/N 605704 OR 724-0003-24 OR TE P/N 2226892-1)
- HAND CRIMP TOOL FOR GbE CONTACTS:
  - DMC M22520/2-01, SETTING NUMBER 3
  - POSITIONER: K1586
- COMPATIBLE WITH ARINC 809 PLUG SHELLS (DEUTSCH P/N DMC-MD20 SERIES)
- COMPATIBLE WITH ARINC 809 RECEPTACLE SHELLS (DEUTSCH P/N DMC-MD24 AND DMC-MD26 SERIES)

REVISIONS					
P.	LTN	DESCRIPTION	DATE	DMN	APVD
H		REV PER ECO 19-016450	11-22-19	CT	RL



SCALE 4:1



2226455-1 ASSEMBLY, SOCKET, INSERT MODULE

2226455-1 PART NUMBER

THIS DRAWING IS A CONTROLLED DOCUMENT.		DMN: D BROCKWAY 29MAY2013	 TE Connectivity
		CHK: R LUENTE 29MAY2013	
DIMENSIONS:		NAME: SOCKET INSERT, MODULE CABLE ATTACH, GbE + POWER	
TOLERANCES UNLESS OTHERWISE SPECIFIED:		PRODUCT SPEC	
mm	0 PLC ±	APPLICATION SPEC	
	1 PLC ±0.5	SIZE: CAGE CODE: DRAWING NO: A100779C=2226455	
	2 PLC ±0.13	RESTRICTED TO	
	3 PLC ±0.013	WEIGHT	
	4 PLC ±0.001	CUSTOMER DRAWING	
	ANGLES ±0.0001	SCALE: 8:1 SHEET 1 OF 1 REV H	
FINISH			

单击下面可查看定价，库存，交付和生命周期等信息

[>>TE Connectivity\(泰科\)](#)