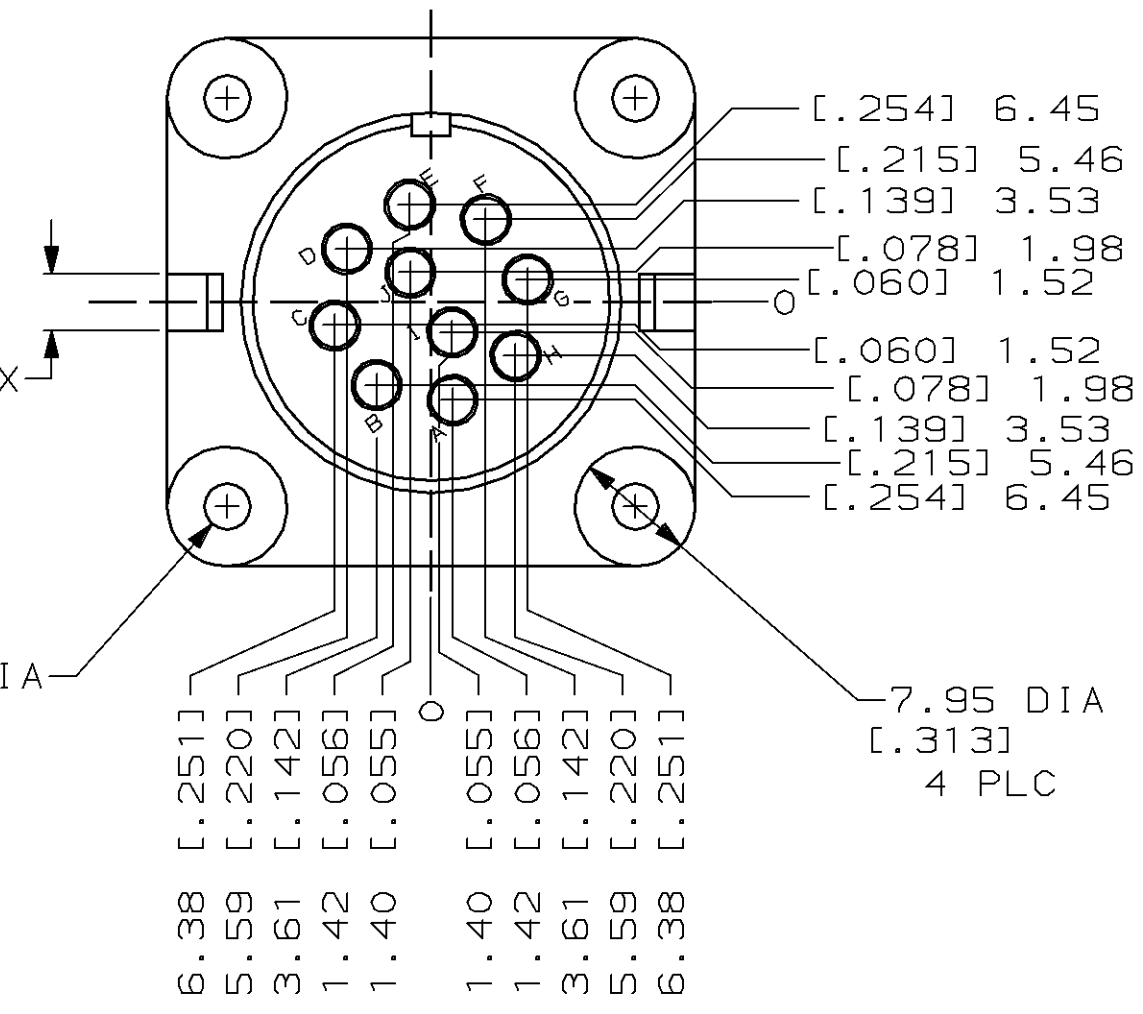
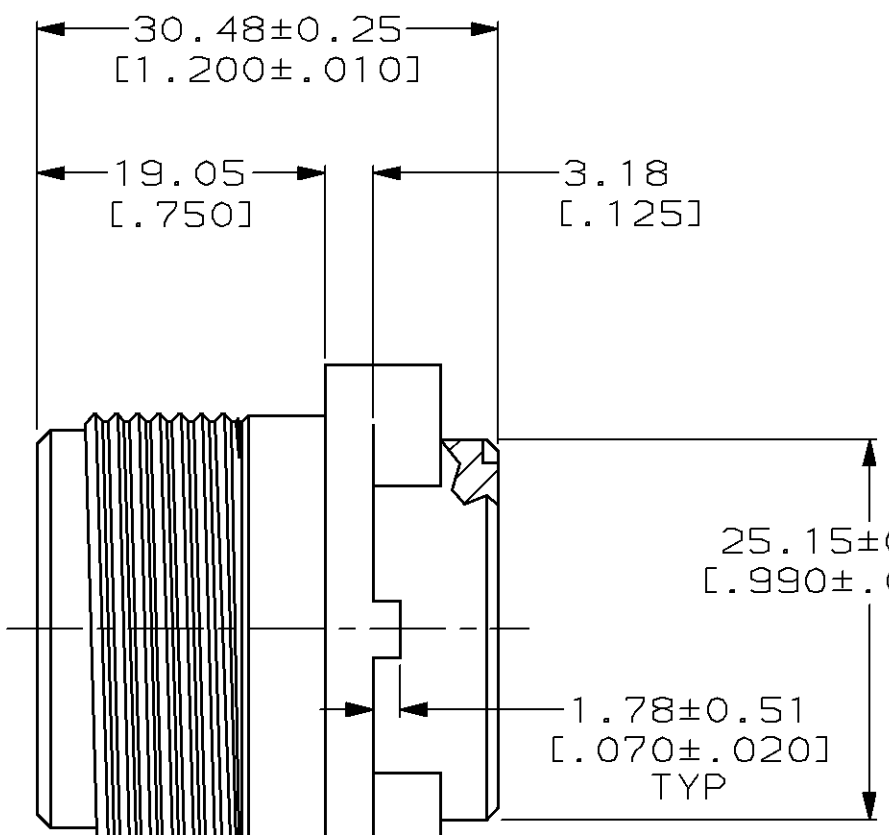
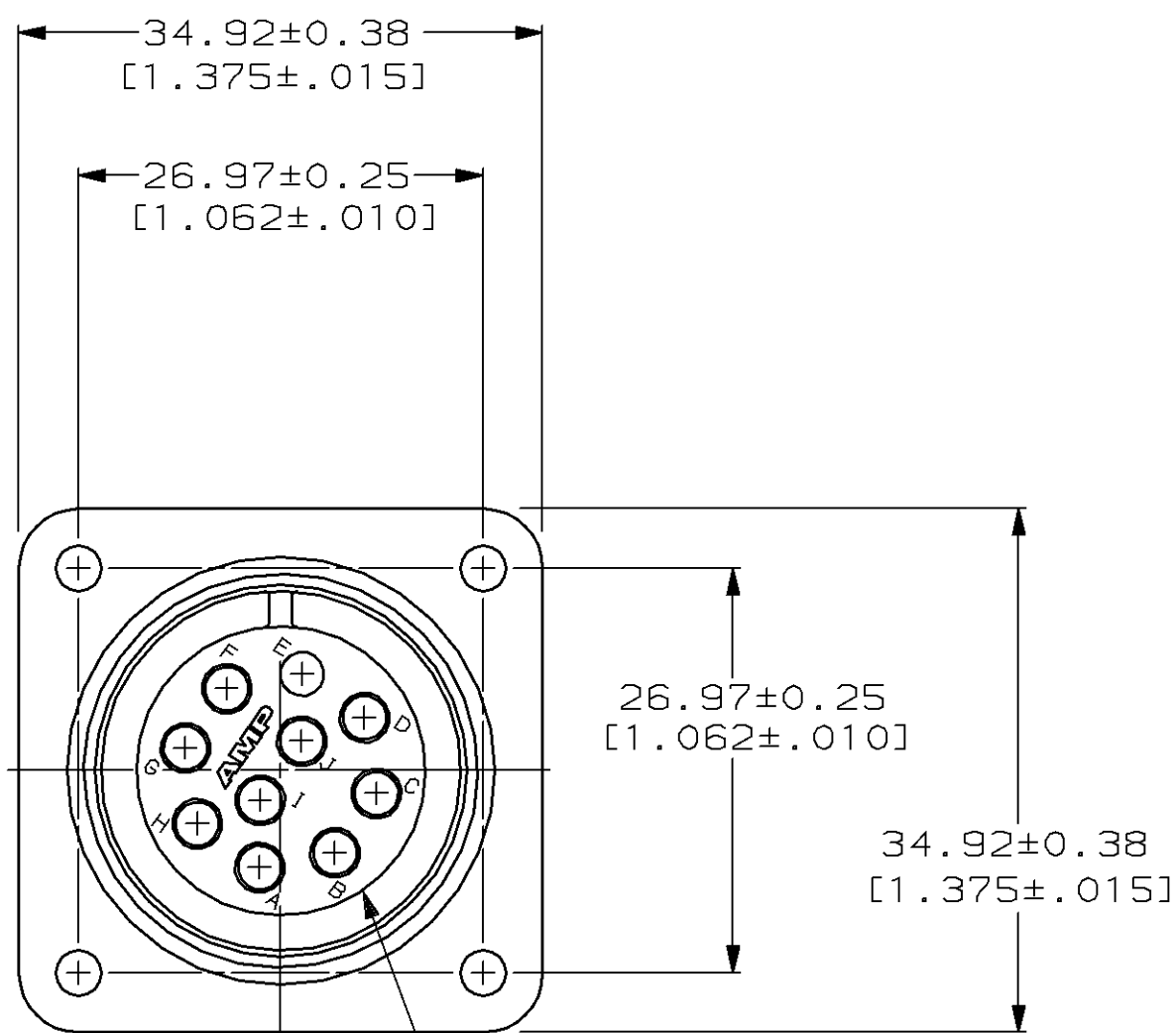


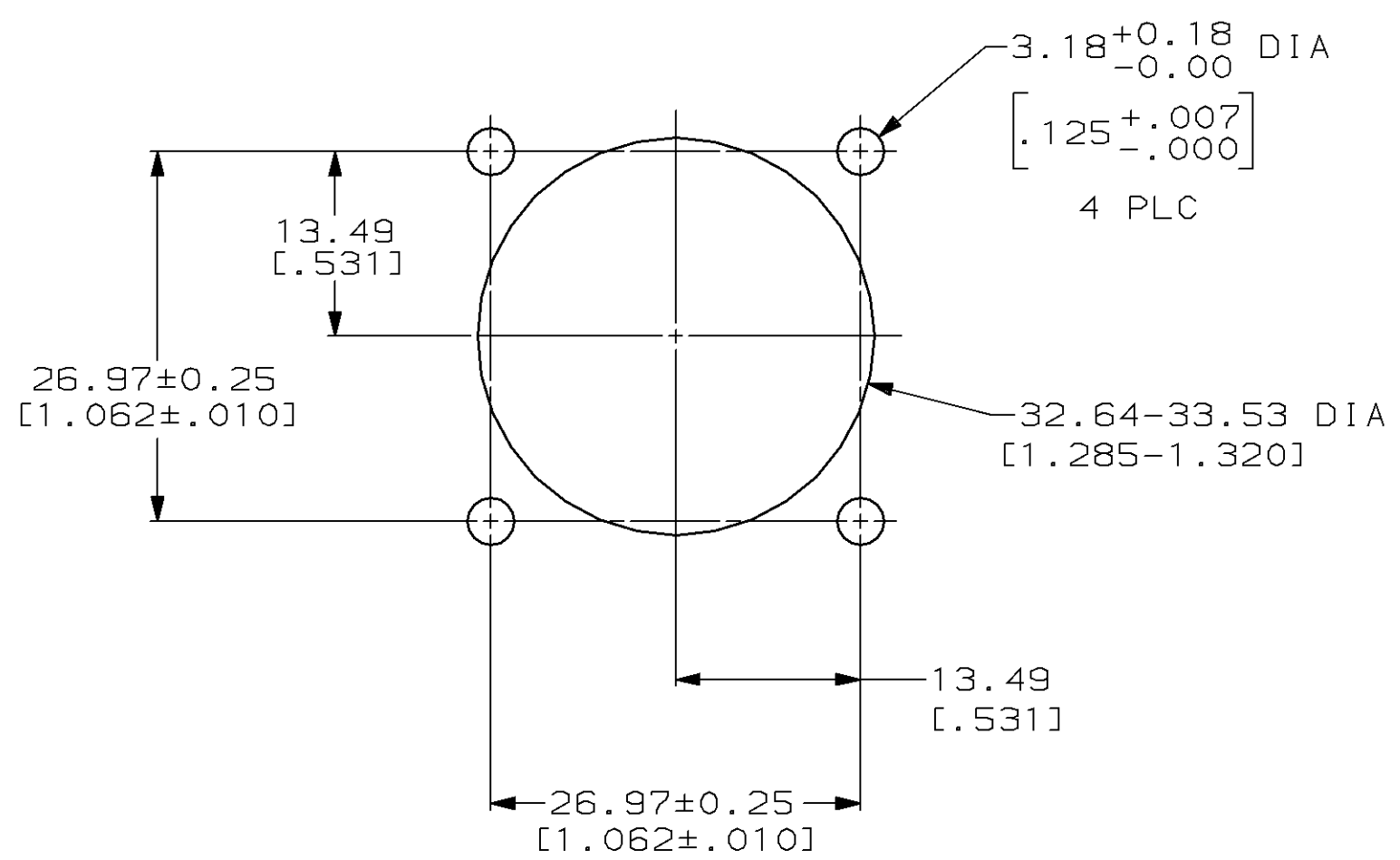
LOC	DIST	P	F	ZONE	LTR	REVISIONS			
						DESCRIPTION	DATE	APPD	
BD	35					0	RLSE, WAS 91-5029-1, NPR 3371	4-91	KB
						A	REV PER ECN BD5278	08/13/91	KB
						B	REV PER ECN BD5637	05/29/92	KB
						C	REV PER EC 0020-155-94	03/10/94	AF
						D	REV PER EC 0020-0740-94	07/13/94	AF
						E	REV PER EC 0020-0657-95	06/27/95	RB



1 1/8-18 UNEF-2A
 PD 27.622 MAX
 [1.0875]
 MAJOR DIA 28.539 MAX
 [1.1236]

4.06 MAX [.160] PANEL THICKNESS
 7.62 [.300] 4 PLC

CAVITY IDENTIFICATION LETTERS BOTH SIDES



PANEL CUTOUT

- 1 AMP PART NO APPEARS ON THIS SURFACE.
- 2. THIS PART ACCEPTS TYPE III+ SOCKET CONTACTS.
- 3. RECEPTACLE MATES WITH PRODUCT DESIGNED TO MIL SPEC 5015.

DO NOT SCALE PRINT. UNLESS SPECIFIED DIMENSIONS IN mm [INCHES] TOLERANCES ON : 2 PLC DEC ± 0.13 [.005] 3 PLC DEC ± - ANGLES ± 1°		DR 4-29-91 J. McCLINTON		AMP Incorporated Harrisburg, PA 17105-3608	
MATERIAL POLYAMID, BLACK		CHK 5-2-91 R. STONE			
FINISH -		APPD 5-2-91 K. BEAVER		NAME RECEPTACLE HOUSING, 18-10, REVERSE SEX, SQUARE FLANGE, CPC	
		APPD 5-2-91 J. FULPONI		SIZE C 00779	
		PRODUCT SPEC 108-10024		DRAWING NO 213667	
		APPLICATION SPEC 114-10004		SCALE 2:1	
		WEIGHT -		SHEET 1 OF 1	

单击下面可查看定价，库存，交付和生命周期等信息

[>>TE Connectivity\(泰科\)](#)