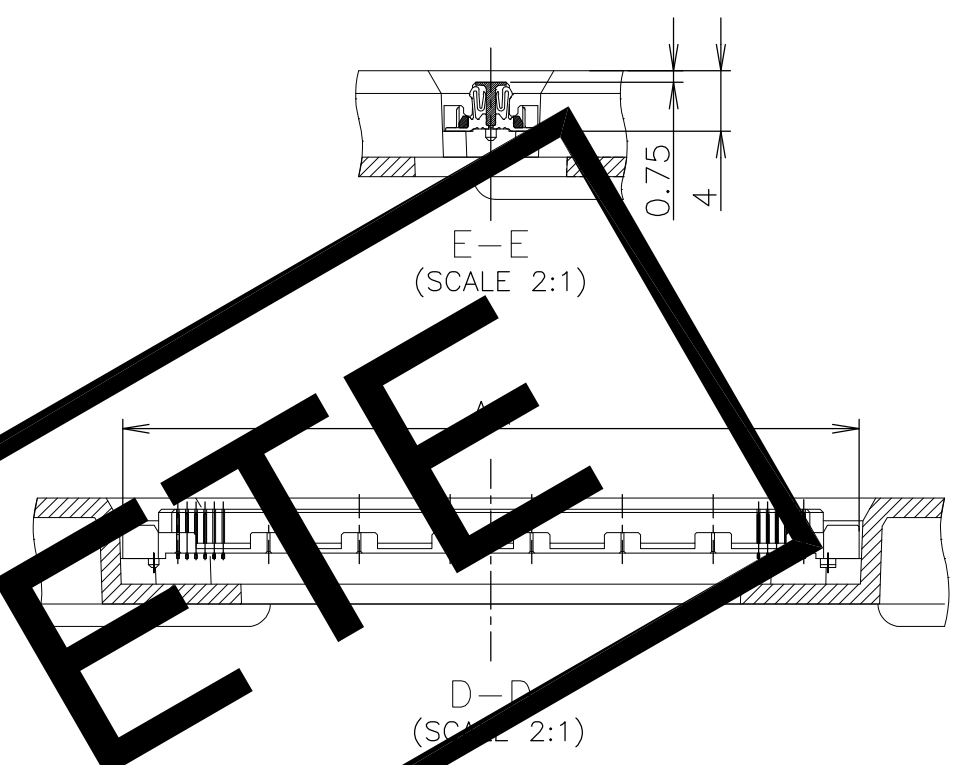
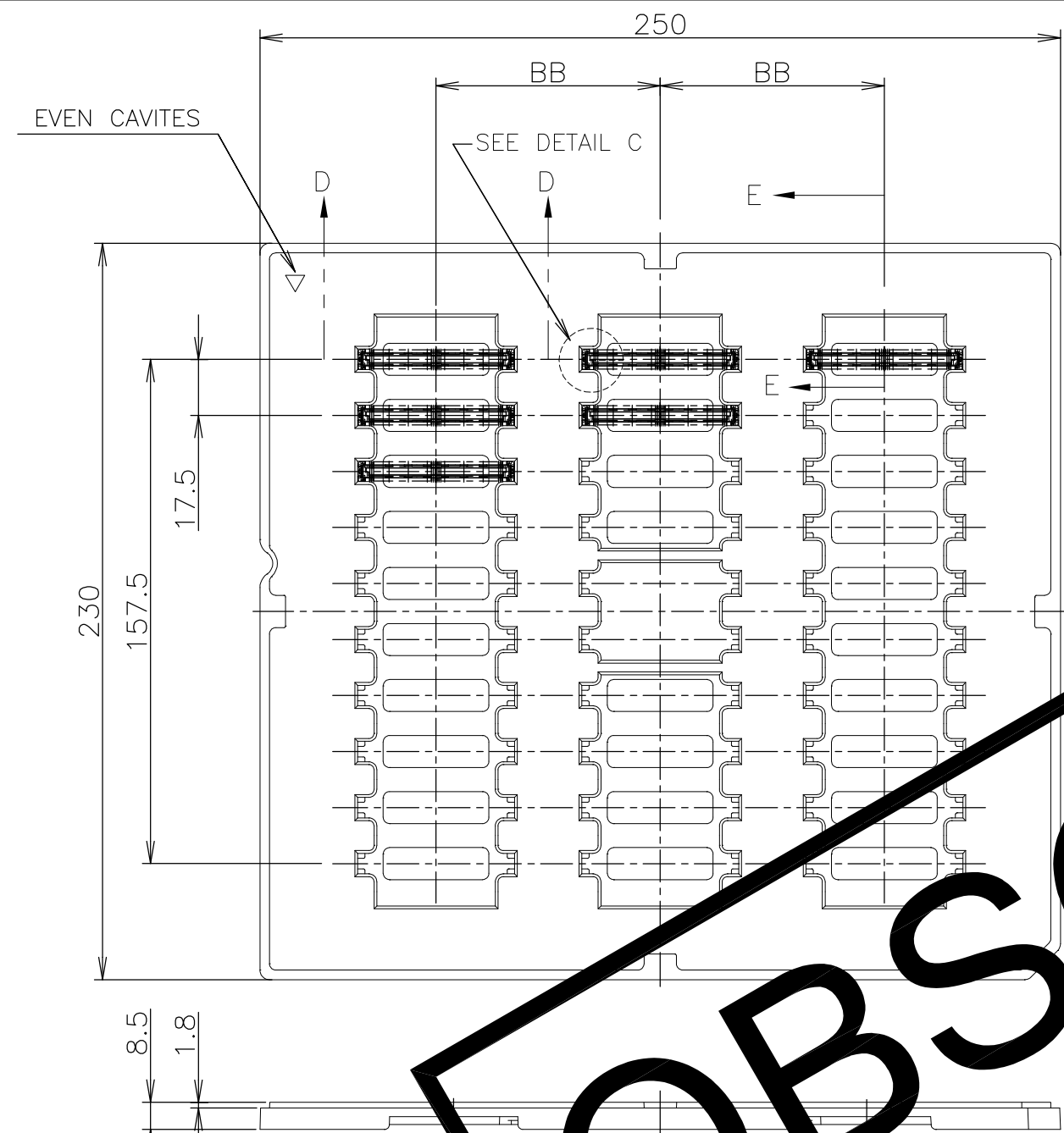
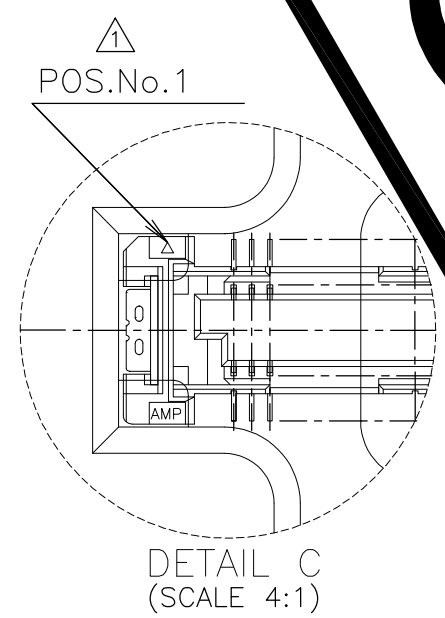


THIS DRAWING IS UNPUBLISHED. RELEASED FOR PUBLICATION APR ,2007.
 © COPYRIGHT 2007 BY TYCO ELECTRONICS CORPORATION. ALL RIGHTS RESERVED.

LOC	DIST	REVISIONS			
P	LTR	DESCRIPTION	DATE	DWN	APVD
J		A	REVISED	18JUN07	Y.S Y.N
		B	REVISED PER ECO-17-002393	25MAY17	B.J S.Y



OBSOLETE



GENERAL TOLERANCE
 10 >= : ±0.2
 30 >= >10: ±0.25
 100 >= >30: ±0.3
 ANGLES: ±3°

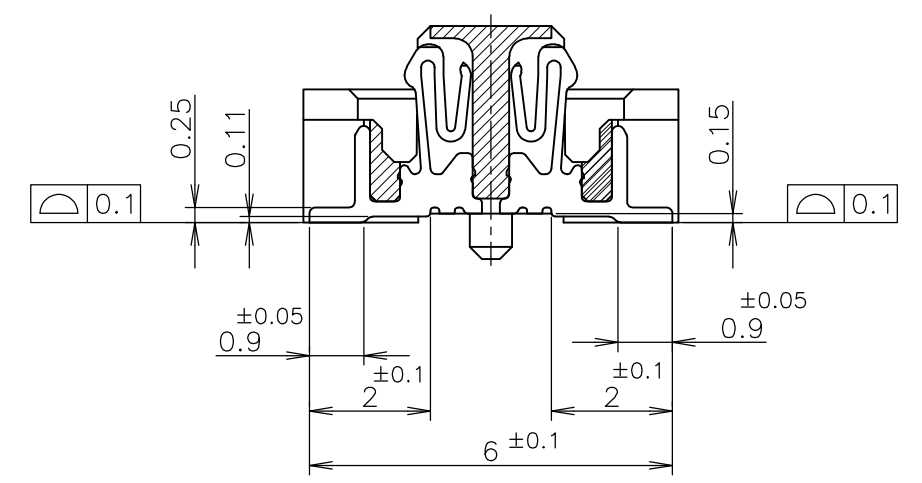
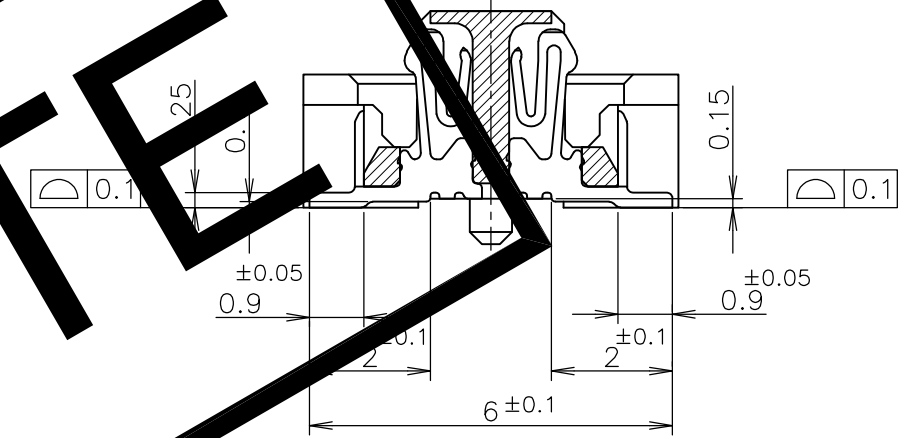
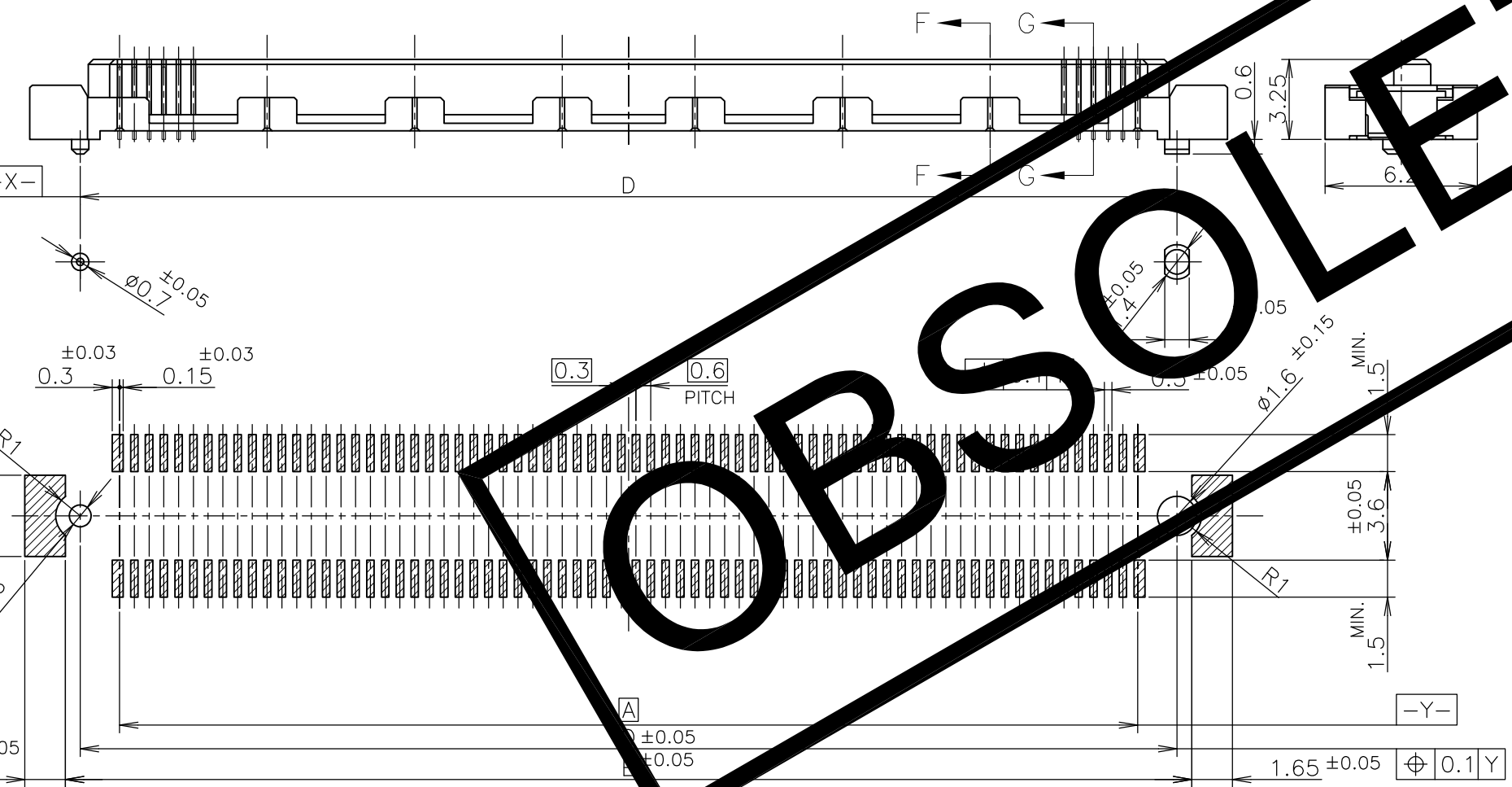
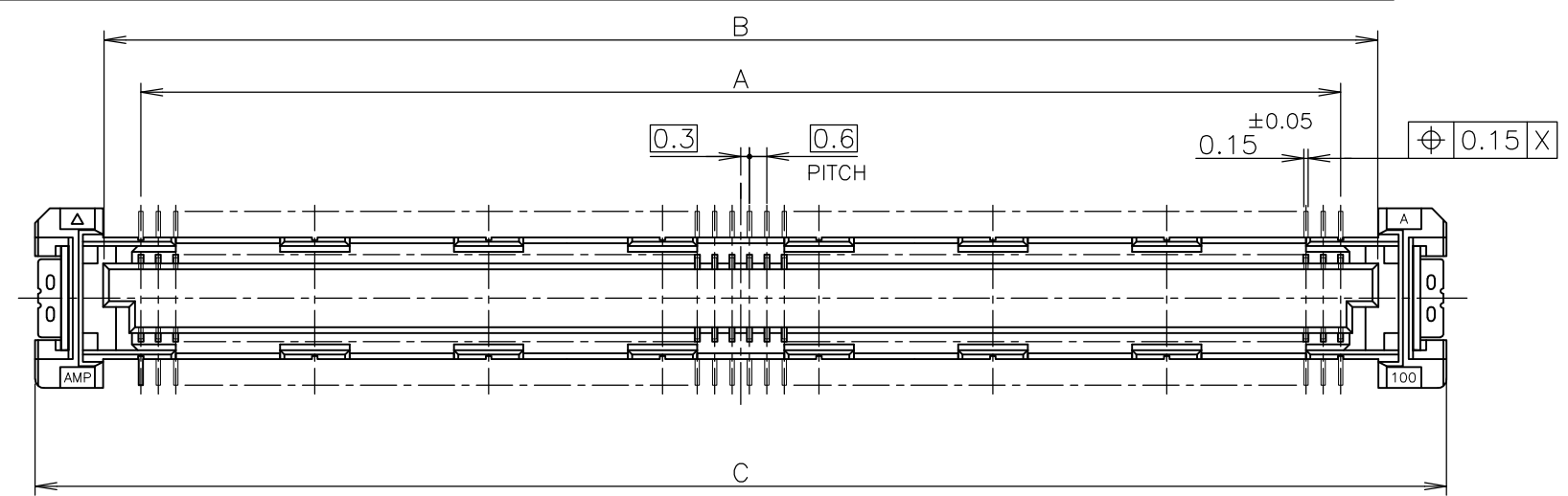
THIS DRAWING IS A CONTROLLED DOCUMENT.	
DIMENSIONS: MM	TOLERANCES UNLESS OTHERWISE SPECIFIED: 0 PLC ± - 1 PLC ± - 2 PLC ± - 3 PLC ± - 4 PLC ± - ANGLES ± - FINISH ± -
MATERIAL	

SEALANT	TOOLING STATUS	ROW	QTY	BB	AA	POS.	PART NO.
AVAILABLE		3	30	70	54.7	160	1-1981983-1
NOT AVAILABLE					48.7	140	1- -0
					42.7	120	-9
					36.7	100	-8
		3	30	70	33.7	90	-7
		5	50	43	30.7	80	-6
					27.7	70	-5
					24.7	60	-4
					21.7	50	-3
					18.7	40	-2
NOT AVAILABLE		5	50	43	15.7	30	1981983-1

DWN Y.NAKAZAWA 02APR2007		Tyco Electronics AMP K.K. Kawasaki,Japan	
CHK T.FUTATSUGI 02APR2007		NAME	
APVD T.FUTATSUGI 02APR2007		HARD TRAY ASSY	
PRODUCT SPEC 108-60047		FH 0.6BTB CONNECTOR	
APPLICATION SPEC 114-5255		REC 4H W/G-CONT AU-PLATED 0.00076mm	
SIZE A3	CAGE CODE 00779	DRAWING NO C-1981983	RESTRICTED TO
CUSTOMER DRAWING		SCALE 1:2	SHEET 1 OF 3 REV B

THIS DRAWING IS UNPUBLISHED. RELEASED FOR PUBLICATION APR , 2007.
 © COPYRIGHT 2007 BY TYCO ELECTRONICS CORPORATION. ALL RIGHTS RESERVED.

LOC	DIST	REVISIONS		
J		P	LTR	DESCRIPTION
				DATE
				DWN
				APVD
		SEE SHEET 1 OF 3		



OBSOLETE

AVAILABLE	51.8	50.6	54.7	50	47.4	160	1-1981983-1
NOT AVAILABLE	45.8	44.6	48.7	44	41.4	140	1-0
	39.8	38.6	42.7	38	35.4	120	-9
	33.8	32.6	36.7	32	29.4	100	-8
	30.8	29.6	33.7	29	26.4	90	-7
	27.8	26.6	30.7	26	23.4	80	-6
	24.8	23.6	27.7	23	20.4	70	-5
	21.8	20.6	24.7	20	17.4	60	-4
	18.8	17.6	21.7	17	14.4	50	-3
	15.8	14.6	18.7	14	11.4	40	-2
NOT AVAILABLE	12.8	11.6	15.7	11	8.4	30	1981983-1
TOOLING STATUS	E	D	C	B	A	POS	△ PART NO.

RECOMMENDED P.C.BOARD LAYOUT

THIS DRAWING IS A CONTROLLED DOCUMENT.		DWN	Tyco Electronics		Tyco Electronics AMP K.K.	
DIMENSIONS: MM		CHK	NAME		Kawasaki.Japan	
TOLERANCES UNLESS OTHERWISE SPECIFIED:		APVD	PRODUCT SPEC		HARD TRAY ASSY	
0 PLC ± 0.3		PRODUCT SPEC	APPLICATION SPEC		FH 0.6BTB CONNECTOR	
1 PLC ± 0.3		APPLICATION SPEC	WEIGHT		REC 4H W/G-CONT AU-PLATED 0.00076mm	
2 PLC ± 0.3		WEIGHT	SIZE	CAGE CODE	DRAWING NO	RESTRICTED TO
3 PLC ± 0.3			A3	00779	G-1981983	
4 PLC ± 0.3			CUSTOMER DRAWING		SCALE	SHEET
ANGLES ± 3'					4:1	2 OF 3
FINISH					REV	B

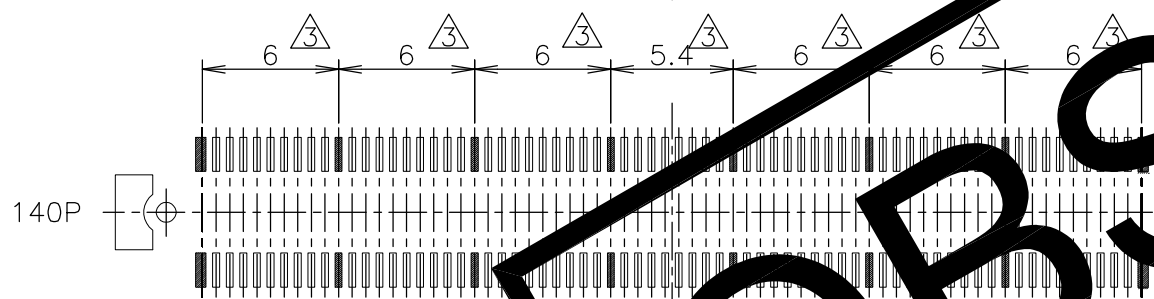
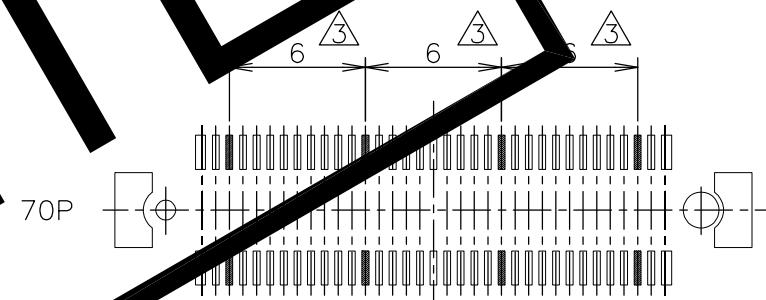
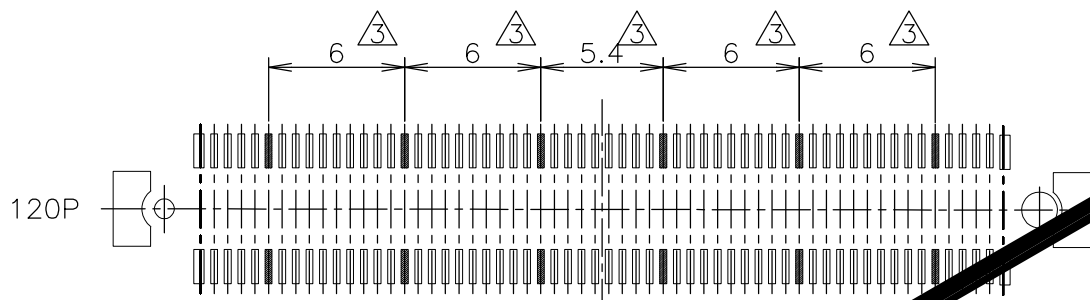
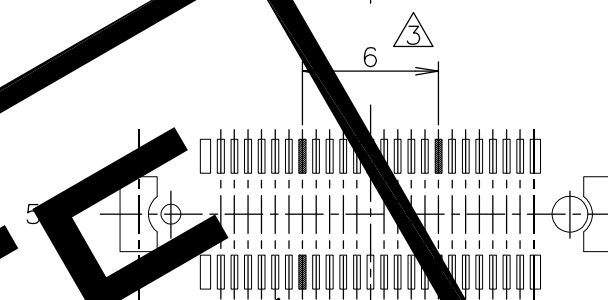
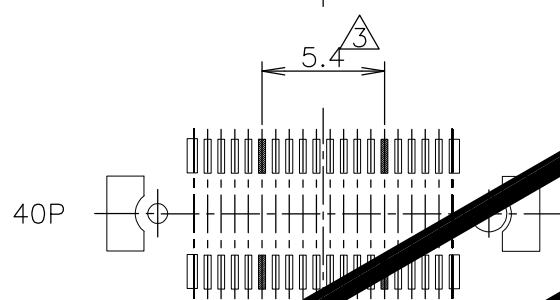
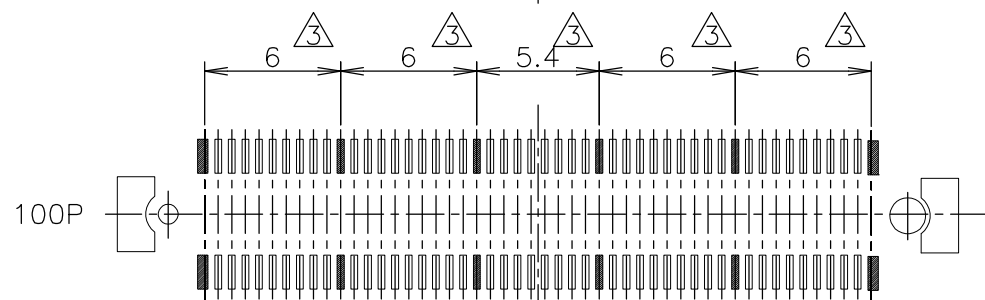
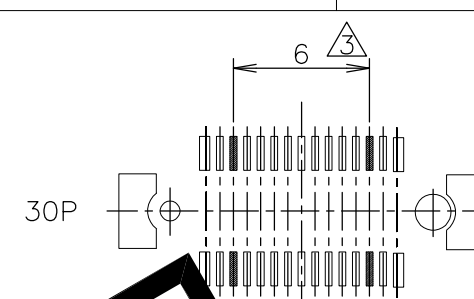
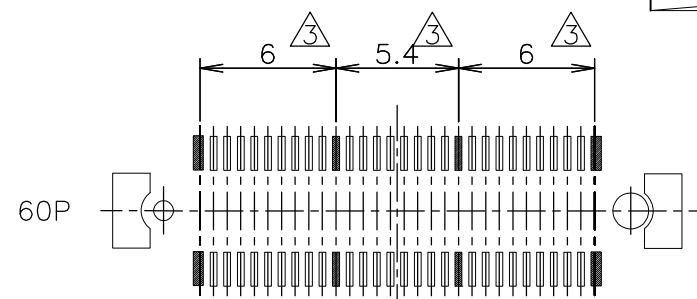
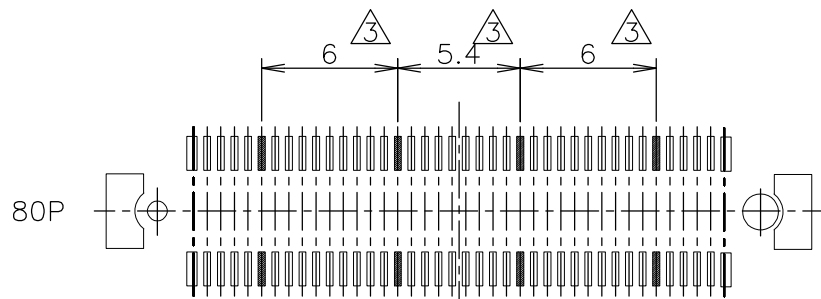
THIS DRAWING IS UNPUBLISHED. RELEASED FOR PUBLICATION APR , 2007.

© COPYRIGHT 2007 BY TYCO ELECTRONICS CORPORATION. ALL RIGHTS RESERVED.

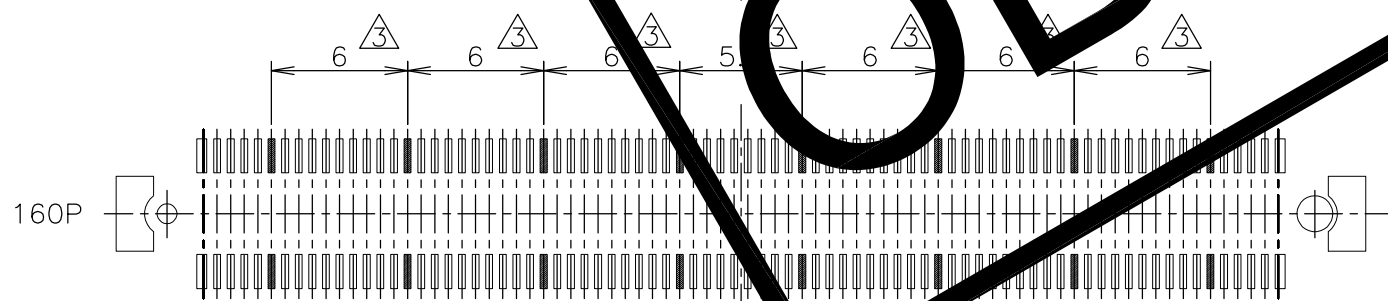
LOC J DIST

REVISIONS

P	LTR	DESCRIPTION	DATE	DWN	APVD
-	-	SEE SHEET 1	-	-	-



- △ MATERIAL ; HOUSING : HIGH TEMP THERMO PLASTIC UL94V-0
- △ FINISH ; CONTACT : COPPER ALLOY
- △ UNDER PL Ni 0.0013mm MIN ALL OVER.
- △ CONTACT AREA 0.00076 MIN Au PL.
- △ SOLDERING AREA: SIGNAL POS 0.00005 MIN Au PL.
- △ GROUND POS 0.001 MIN TIN PL.
- △ THIS POSITION IS GROUND CIRCUIT.
- △ PACKING SEE SHEET 1.



OBSOLETE

THIS DRAWING IS A CONTROLLED DOCUMENT.		DWN		Tyco Electronics		Tyco Electronics AMP K.K.	
DIMENSIONS: MM		TOLERANCES UNLESS OTHERWISE SPECIFIED:		CHK		Kawasaki.Japan	
0 PLC ± 0.3		1 PLC ± 0.3		APVD		NAME	
2 PLC ± 0.3		3 PLC ± 0.3		PRODUCT SPEC		HARD TRAY ASSY	
4 PLC ± 0.3		ANGLES ± 3'		APPLICATION SPEC		FH 0.6BTB CONNECTOR	
FINISH		MATERIAL		WEIGHT		REC 4H W/G-CONT AU-PLATED 0.00076mm	
				CUSTOMER DRAWING		SIZE CAGE CODE DRAWING NO RESTRICTED TO	
				A3 00779 C-1981983		SCALE 3:1 SHEET 3 OF 3 REV B	

单击下面可查看定价，库存，交付和生命周期等信息

[>>TE Connectivity\(泰科\)](#)