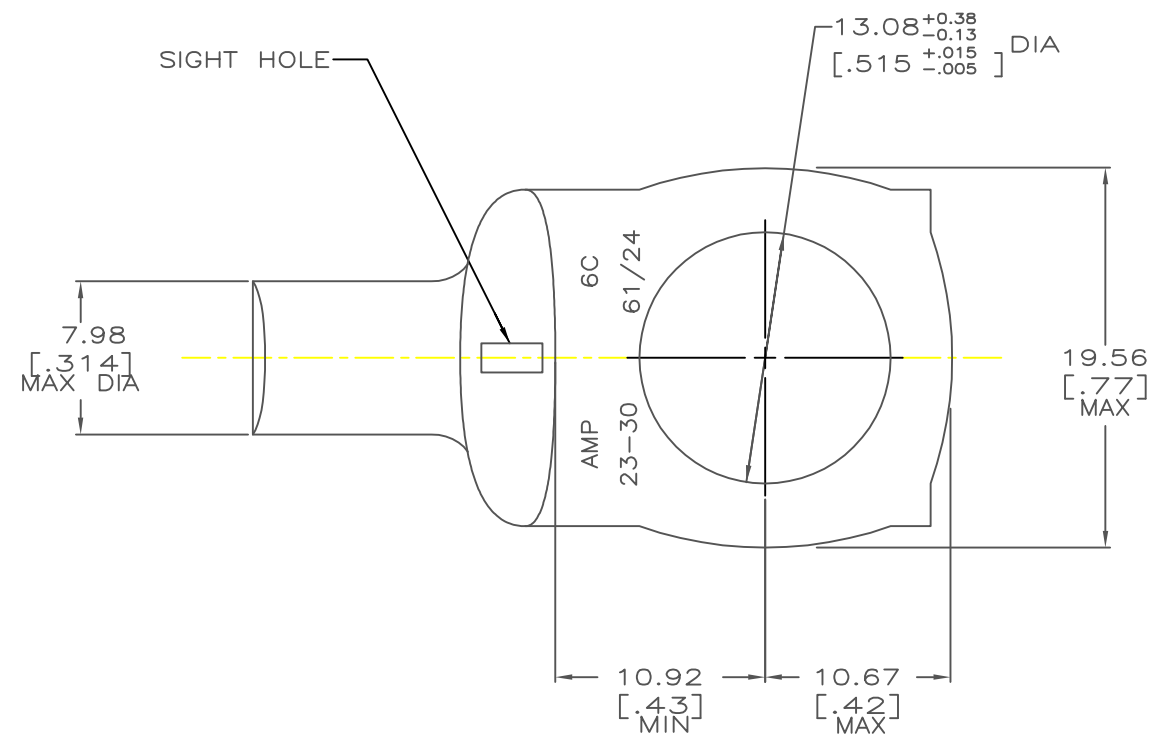


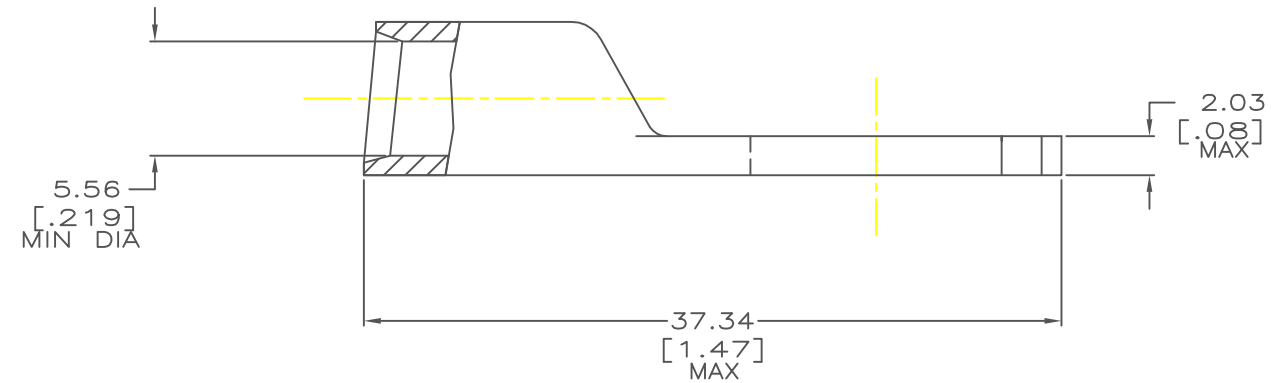
DRAWING MADE IN THIRD ANGLE PROJECTION

THIS DRAWING IS UNPUBLISHED. RELEASED FOR PUBLICATION .19  
 © COPYRIGHT 19 BY AMP INCORPORATED. ALL INTERNATIONAL RIGHTS RESERVED.

LOC		DIST		REVISIONS			
ZONE	LTR	DESCRIPTION	DATE	APPD			
G	86	P	F	C	Removal of color coding on the barrel of the lug	06/06/2017	MN



1 CIRCULAR MIL AREA RANGE: 20,800-33,100 CM  
 2 TIN PL 0.00381[.000150] MIN THK PER MIL-T-10727



328158  
 PART NO

DO NOT SCALE PRINT. UNLESS SPECIFIED DIMENSIONS IN mm [INCHES] TOLERANCES ON : 2 PLC DEC ± 0.51[.020] 3 PLC DEC ± - ANGLES ± -	DR 02/28/90 DK SCHRUM	AMP INCORPORATED Harrisburg, Pa. 17105	
MATERIAL  ANNEALED COPPER ASTM B-152	CHK 19JAN95 MS FEHER	NAME  TERMINAL, AMPOWER™, WIRE SIZE: 6 AWG	
FINISH  2	APPD 19JAN95 WJ VOCKROTH	SIZE C	CAGE CODE 00779
	APPD 19JAN95 TL SHUTTER	DRAWING NO 328158	
	PRODUCT SPEC 108-30200	SCALE 4:1	SHEET 10F 1
	APPLICATION SPEC -	WEIGHT .014 LB	

**METRIC**

单击下面可查看定价，库存，交付和生命周期等信息

[>>TE Connectivity\(泰科\)](#)