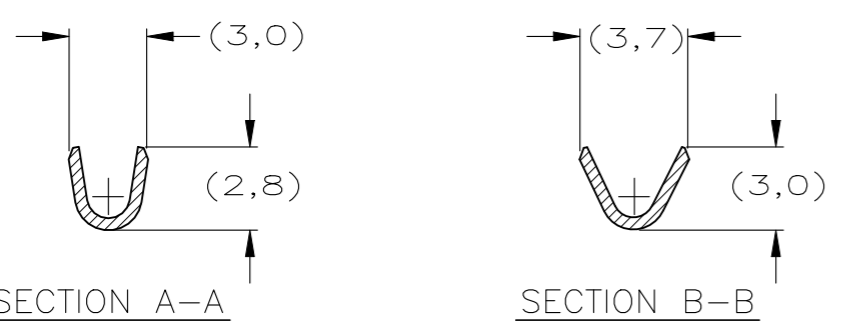
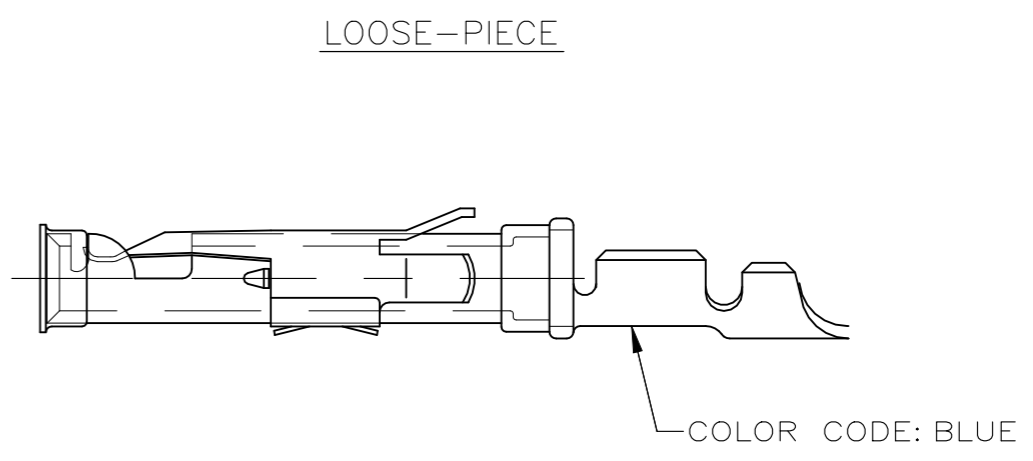
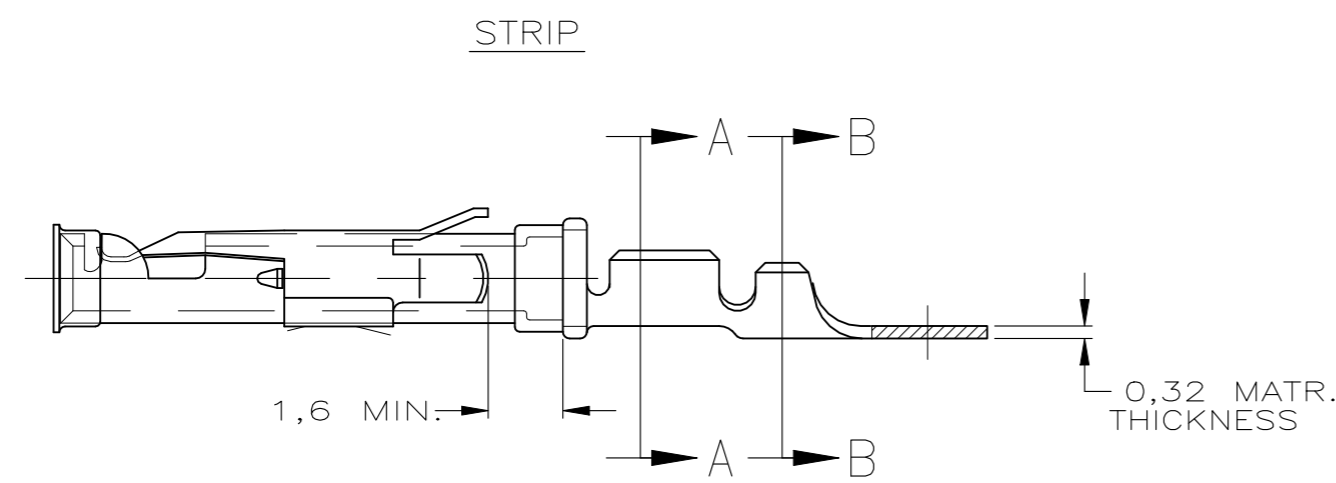
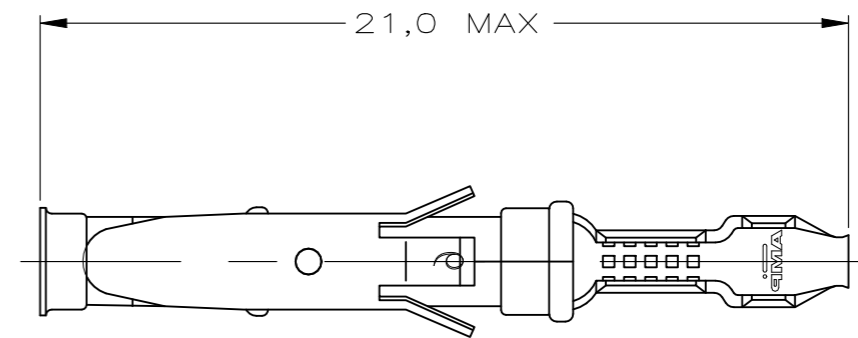
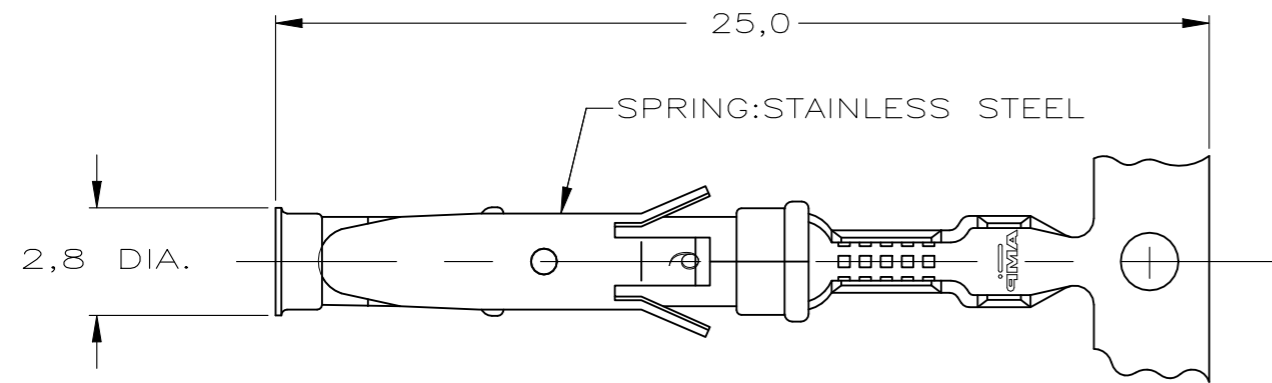


REVISIONS					
P	LTR	DESCRIPTION	DATE	DWN	APVD
	G	ECO-21-006957	25JUN2021	RK	MZ

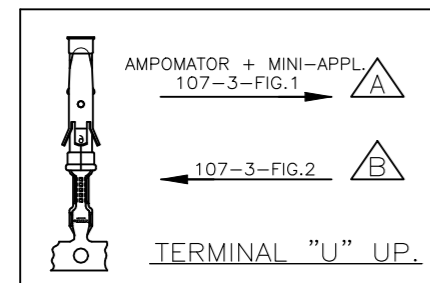


NOTES :

- 1 FOR CRIMP DETAILS SEE SPEC. 114-19000
- 2 MEETS PRODUCT SPECIFICATION 108-10042
- 3 OBSOLETE PARTS: OBSOLETE CIS STREAMLINING PER D.RENAUD/D.SINISI
- 4 OMISSION OF 6 CONTACTS MAX PER REEL OF 5000PCS

WIRE RANGE : 0,75-1,50 mm² (18-16 AWG)
 INSUL. RANGE : 2,0 -2,5 mm (.080-.100)

OBSOLETE	3	163767-6	A		PH.BRONZE	SILVER	28
		163767-5	A	164840-2	PH.BRONZE	SEL.GOLD	22
		163767-4	A		PH.BRONZE	EL.TIN	20
OBSOLETE	3	163767-3	B	164840-3	PH.BRONZE	SILVER	28
OBSOLETE		163767-2	B		PH.BRONZE	SEL.GOLD	22
OBSOLETE		163767-1	B	164840-1	PH.BRONZE	EL.TIN	20
		PART NUMBER	DIRECTION OF REEL	LOOSE-PIECE	MATERIAL	PLATING	



NOTES	MATERIAL	THICKNESS	AREA
20	TIN	2,0 μm	ALL OVER
21	NICKEL GOLD TIN	0,8 μm	ALL OVER CONTACT AREA BARREL
22	NICKEL GOLD TIN	1,27 μm .76 μm 1,01 μm	ALL OVER CONTACT AREA BARREL
23	NICKEL GOLD	1,2 μm	ALL OVER CONTACT AREA BARREL
27	NICKEL SILVER TIN	2,5 μm	ALL OVER CONTACT AREA BARREL
28	SILVER	0,5 μm	ALL OVER
29	SILVER	2,5 μm	ALL OVER

THIS DRAWING IS A CONTROLLED DOCUMENT.	
DIMENSIONS: mm	TOLERANCES UNLESS OTHERWISE SPECIFIED:
	0 PLC ± -
	1 PLC ± -
	2 PLC ± -
	3 PLC ± -
MATERIAL REFER TABLE	FINISH REFER TABLE

DWN	19.08.1987
CHK	L.V.D.HAYDEN
APVD	P.V.D.HAGEN
PRODUCT SPEC	L.V.SOEST
APPLICATION SPEC	108-10042
WEIGHT	114-19000
	-

STE TE Connectivity

TYPE III+, SIZE 16, SOCKET ASS'Y,
18-16 AWG, 2.0-2.5mm DIA INSULATION

SIZE	CAGE CODE	DRAWING NO	RESTRICTED TO
A3	00779	C-163767	-

CUSTOMER DRAWING

SCALE	SHEET	REV
-	1 OF 1	G

单击下面可查看定价，库存，交付和生命周期等信息

[>>TE Connectivity\(泰科\)](#)