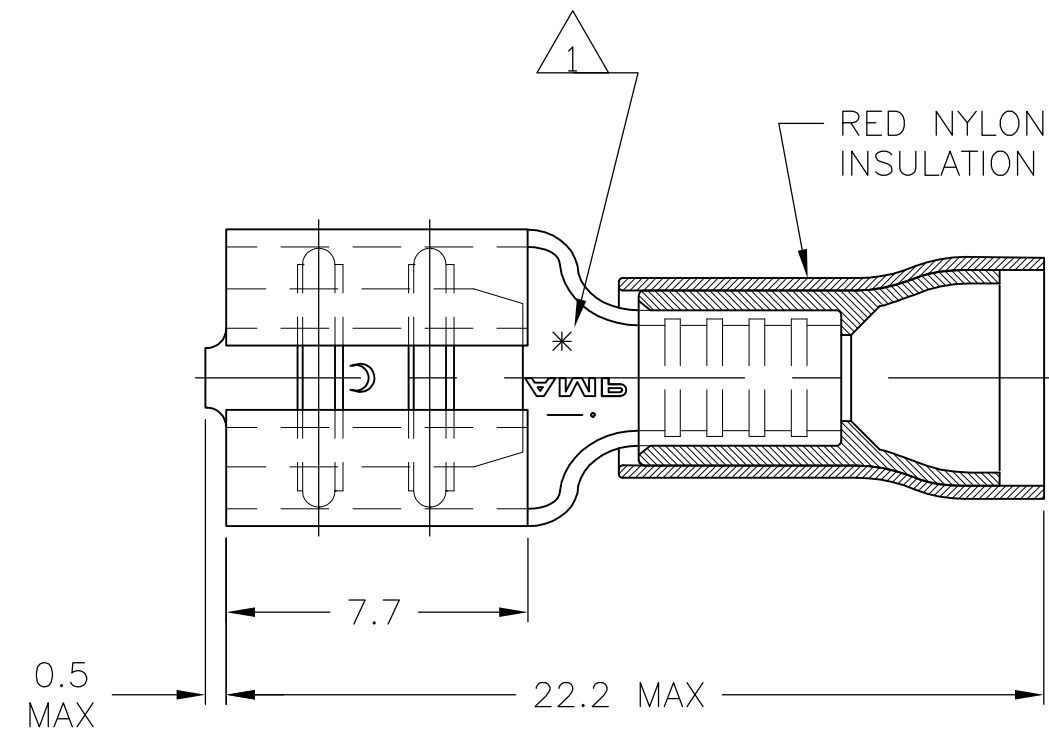
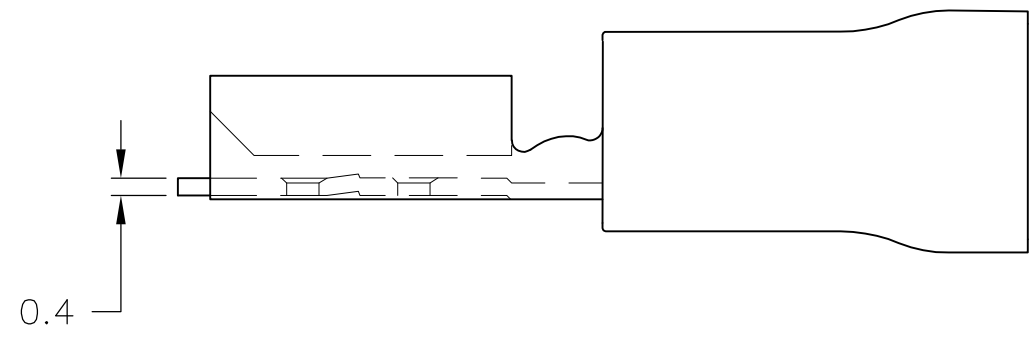
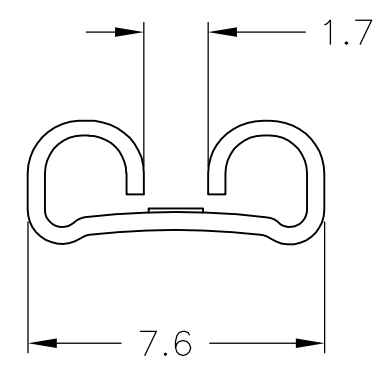


THIS DRAWING IS UNPUBLISHED. RELEASED FOR PUBLICATION
 © COPYRIGHT - By - ALL RIGHTS RESERVED.

LOC	DIST	REVISIONS					
		P	LTR	DESCRIPTION	DATE	DWN	APVD
G	86		L5	REVISED PER ECO-11-004587	11MAR11	RK	HMR



- 1 ASTERISK * FOR PHOS BRONZE VERSION ONLY.
- 2 WIRE RANGE: 0,3-1,5mm²
- 3 INSULATION RANGE: 3,5mm MAX DIA.
- 4 MATING TAB THK IS 0,8
- 5 SUPERSEDED BY 9-160583-5
- 6 SUPERSEDED BY 9-160583-6
- 7 SUPERSEDED BY 5-160583-2
- 8 SUPERSEDED BY 5-160583-5



PACKAGE TYPE	FINISH	MATERIAL	PART NO.
TAPE MOUNTED	GOLD PLATED	1 PHOS. BRONZE	5-160583-7 8
	SILVER PLATED	1 PHOS. BRONZE	5-160583-6 8
	TIN PLATED	1 PHOS. BRONZE	5-160583-5
	GOLD PLATED	BRASS	5-160583-4 7
	SILVER PLATED	BRASS	5-160583-3 7
	TIN PLATED	BRASS	5-160583-2
LOOSE PIECE	TIN-LEAD	1 PHOS. BRONZE	9-160583-8 5
	GOLD PLATED	1 PHOS. BRONZE	9-160583-7 6
	SILVER PLATED	1 PHOS. BRONZE	9-160583-6
	TIN PLATED	1 PHOS. BRONZE	9-160583-5
	GOLD PLATED	BRASS	9-160583-4 6
	SILVER PLATED	BRASS	9-160583-3 6
	TIN PLATED	BRASS	9-160583-2

THIS DRAWING IS A CONTROLLED DOCUMENT.		DWN	JR RUTH	25AUG2004	STE TE Connectivity
		CHK	T MICHIELUTTI	25AUG04	
		APVD	T MICHIELUTTI	25AUG04	
		PRODUCT SPEC	NAME		
		APPLICATION SPEC	RECEPTACLE, FASTON, P.I.D.G., .250 SERIES		
		WEIGHT	A3 00779 C-160583		RESTRICTED TO
CUSTOMER DRAWING		SCALE	4:1	SHEET	1 OF 1
				REV	L5

DIMENSIONS:		TOLERANCES UNLESS OTHERWISE SPECIFIED:	
mm			
		0 PLC	± -
		1 PLC	± -
		2 PLC	± 0.38
		3 PLC	± -
		4 PLC	± -
MATERIAL		FINISH	
-		-	

单击下面可查看定价，库存，交付和生命周期等信息

[>>TE Connectivity\(泰科\)](#)