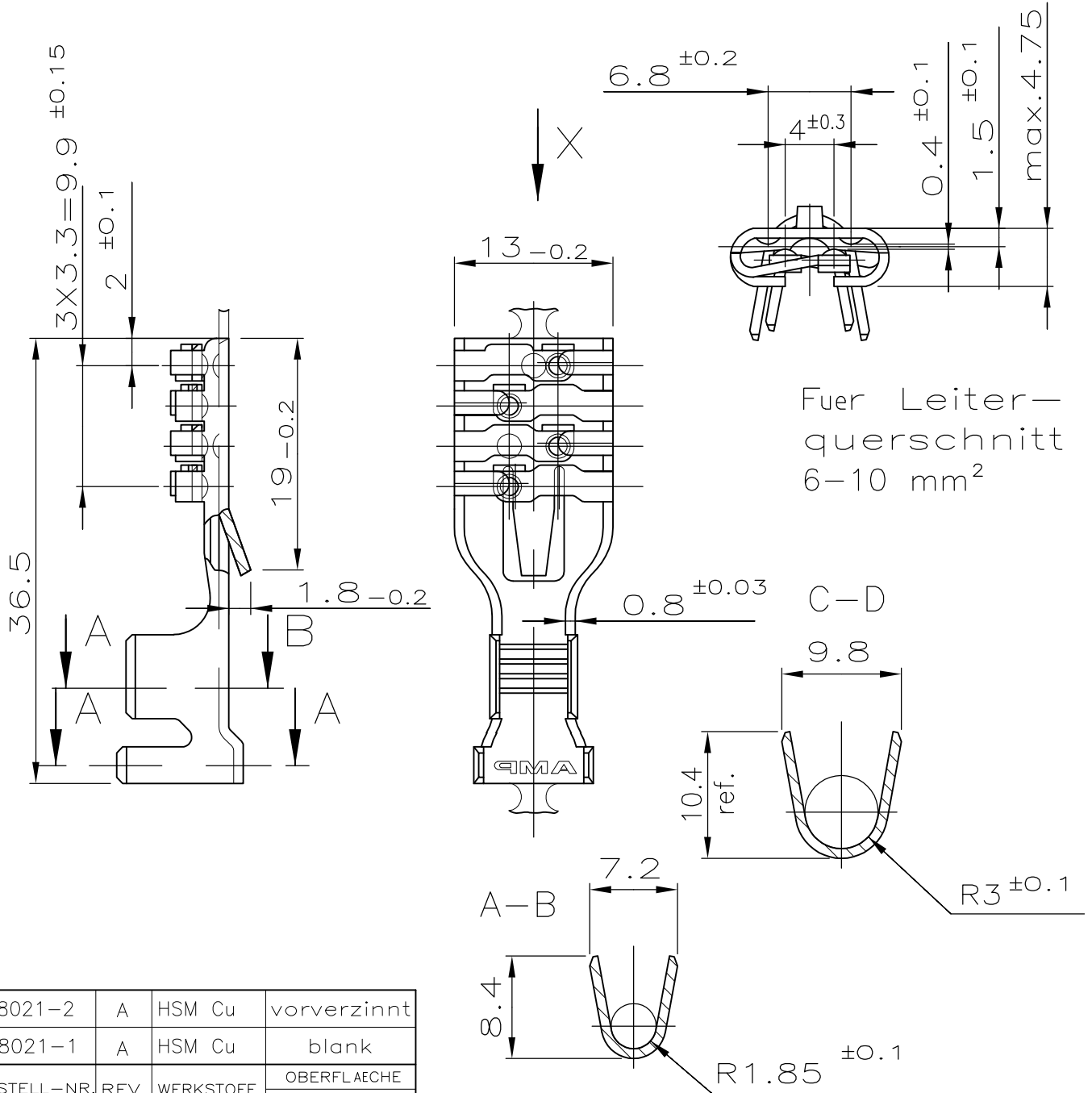


LOC	DIST	REVISIONS			DATE	DWN	APVD
A1	—	P	LTR	DESCRIPTION			
		A2		DIMENSION UPDATED	03JUN2011	PKS	RRP

Ansicht "X"
VIEW "X"



968021-2	A	HSM Cu	vorverzinkt
968021-1	A	HSM Cu	blank
BESTELL-NR.	REV.	WERKSTOFF	OBERFLAECHE FARBE

DIMENSIONS:
mm

DWN	B. Buxbaum	19DEC1994
CHK	A. Machill	19DEC1994
APVD	—	—
PRODUCT SPEC	—	—
APPLICATION SPEC	—	—
WEIGHT	—	—

MATERIAL	HSM Cu	FINISH	—
		TE Connectivity	
		NAME COMBI-CONTACT FUER FLACHSTECKER 6.3-9.5	
SIZE	A4	CAGE CODE	00779
DRAWING NO	C-968021		RESTRICTED TO
CUSTOMER DRAWING			1.5

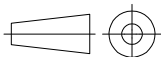
THIS DRAWING IS UNPUBLISHED.

RELEASED FOR PUBLICATION

ALL RIGHTS RESERVED.

COPYRIGHT - By -

0 PLC	± -
1 PLC	± -
2 PLC	± 0.2 mm
3 PLC	± -
4 PLC	± -
ANGLES	± 1.5



单击下面可查看定价，库存，交付和生命周期等信息

[>>TE Connectivity\(泰科\)](#)