

4

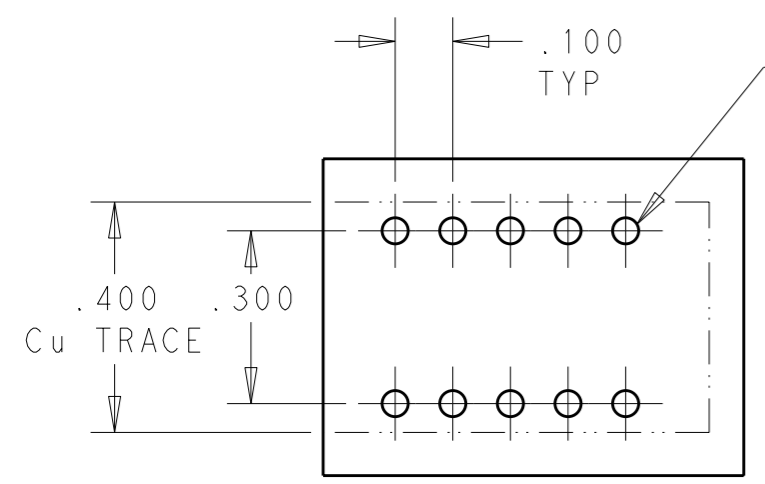
3

2

1

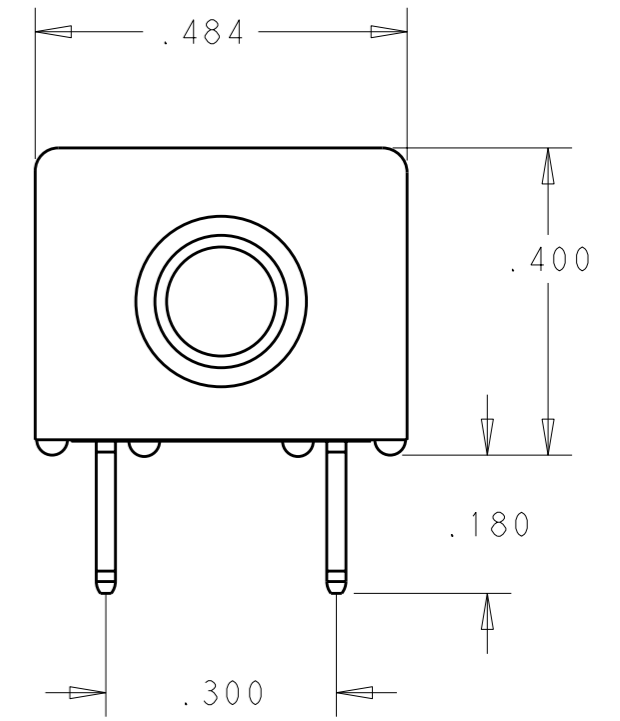
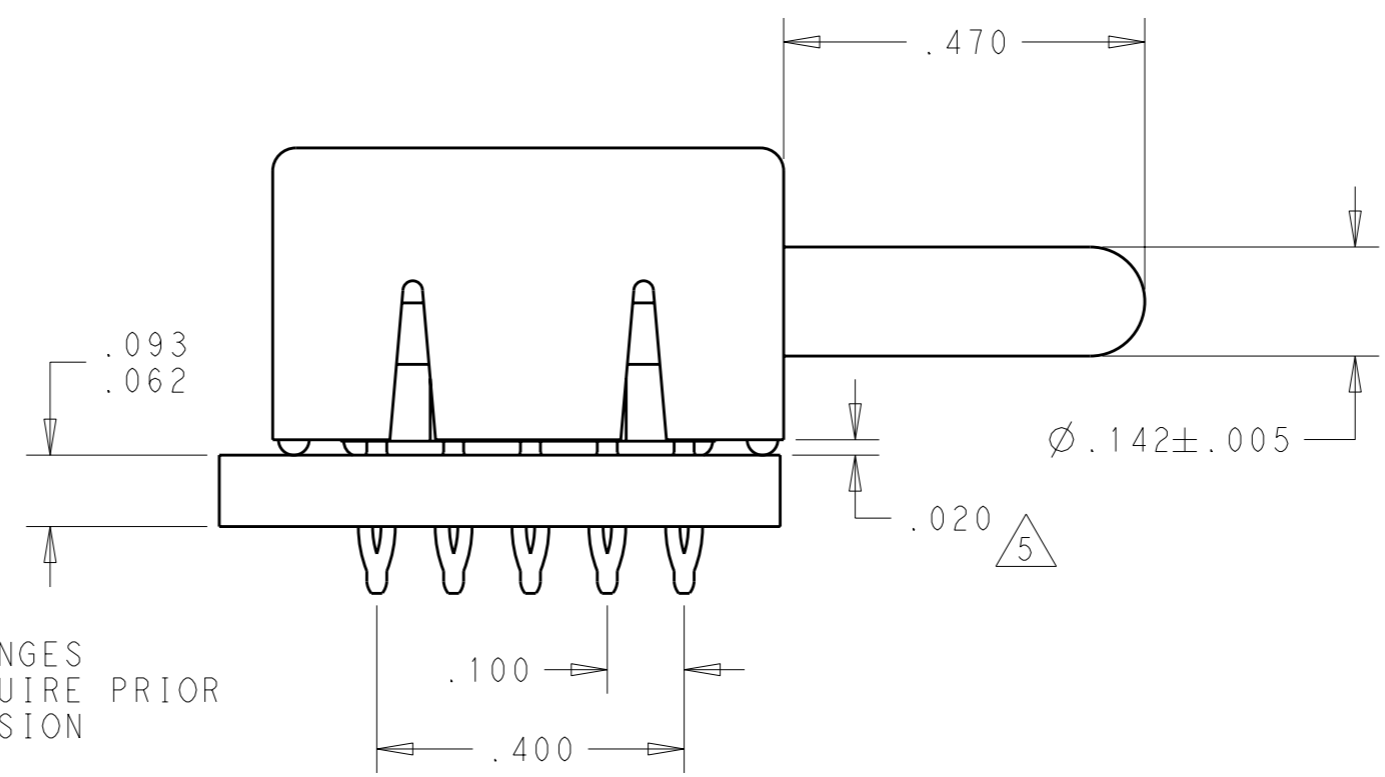
THIS DRAWING IS UNPUBLISHED. RELEASED FOR PUBLICATION 20
 © COPYRIGHT 20 TE ALL RIGHTS RESERVED.

LOC	DIST	REVISIONS			
P	LTR	DESCRIPTION	DATE	DWN	APVD
GP	00	C	REV PER ECO-11-007678	03JUN2011	RG DO



RECOMMENDED FOOTPRINT

DRILLED HOLE $\varnothing .0453 \pm .001$
 AFTER PLATING
 $\varnothing .043 / .037$
 10X



- PART NUMBER CHANGES AND/OR DESIGN CHANGES AFFECTING ITEM INTERCHANGEABILITY REQUIRE PRIOR TE APPROVAL AND AUTHORIZATION BY REVISION TO THIS DRAWING.
- ITEMS PROVIDED TO THIS SPECIFICATION TO BE IDENTIFIED ON CONTAINER WITH THE FOLLOWING INFORMATION: PART NUMBER & DATE CODE OF MANUFACTURE

3 MATERIALS:
 INSULATOR - POLYESTER, GLASS FILLED UL 94V-0 RATED, COLOR: BLACK
 MODULE - ZINC ALLOY
 COMPLIANT PINS - PHOSPHOR BRONZE
 CROWN - BeCu

4 FINISH:
 MODULE - SILVER PLATED .000200 MIN THK. OVER NICKEL .000040 MIN THK.
 COMPLIANT PINS - SILVER PLATED .000200 MIN THK. OVER NICKEL .000040 MIN THK.
 CROWN - GOLD PLATED .000030 MIN THK. OVER NICKEL .000040 MIN THK.

5 A FIVE POUND (5lb) FORCE REQUIRED TO CORRECTLY SEAT THE CONNECTOR WITH PLATED THRU HOLES LESS THAN $\varnothing .040$ INCH.

6643275-1
 PART NUMBER

THIS DRAWING IS A CONTROLLED DOCUMENT.		DWN 11 JAN 2011 LOVATO/GRZYBOWSKI		TE Connectivity	
DIMENSIONS: INCHES		CHK D. ORRIS			
TOLERANCES UNLESS OTHERWISE SPECIFIED:		APVD 11 JAN 2011 CHAU/ORRIS		NAME	
0 PLC ±- 1 PLC ±- 2 PLC ±- 3 PLC ±.020 4 PLC ±- ANGLES ±.5		PRODUCT SPEC		ICCON PIN, PARALLEL COMPLIANT, NON-LOCKING STYLE	
MATERIAL -		FINISH -		APPLICATION SPEC -	
		WEIGHT -		RESTRICTED TO -	
		CUSTOMER DRAWING		SCALE 4:1 SHEET 1 OF 1 REV C	

单击下面可查看定价，库存，交付和生命周期等信息

[>>TE Connectivity\(泰科\)](#)