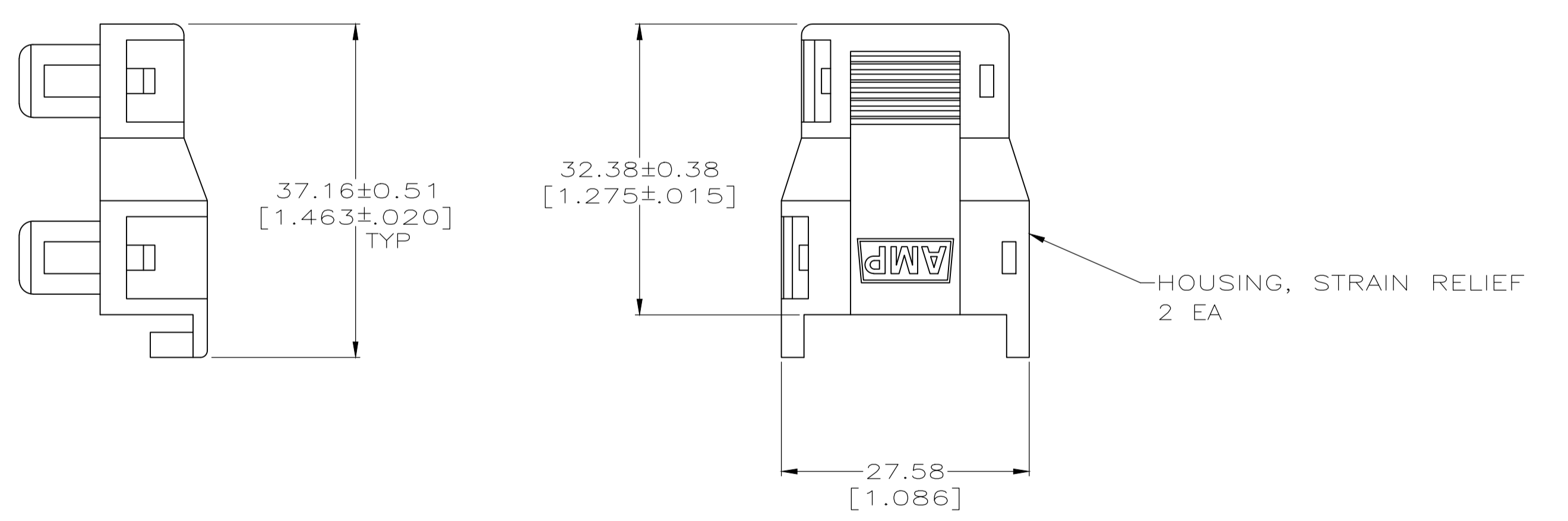
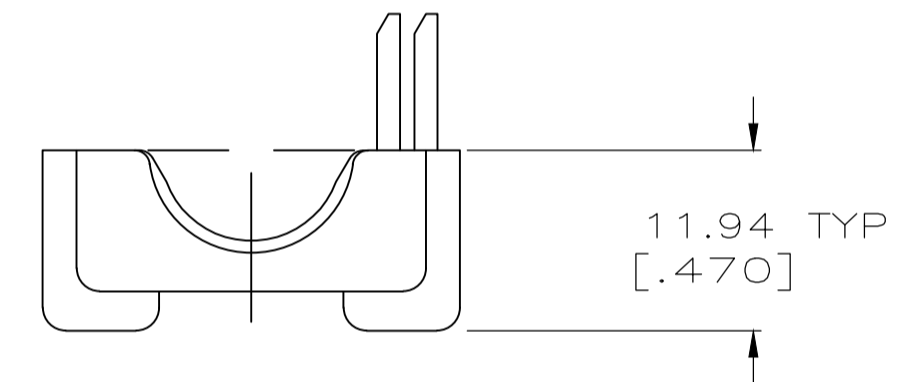
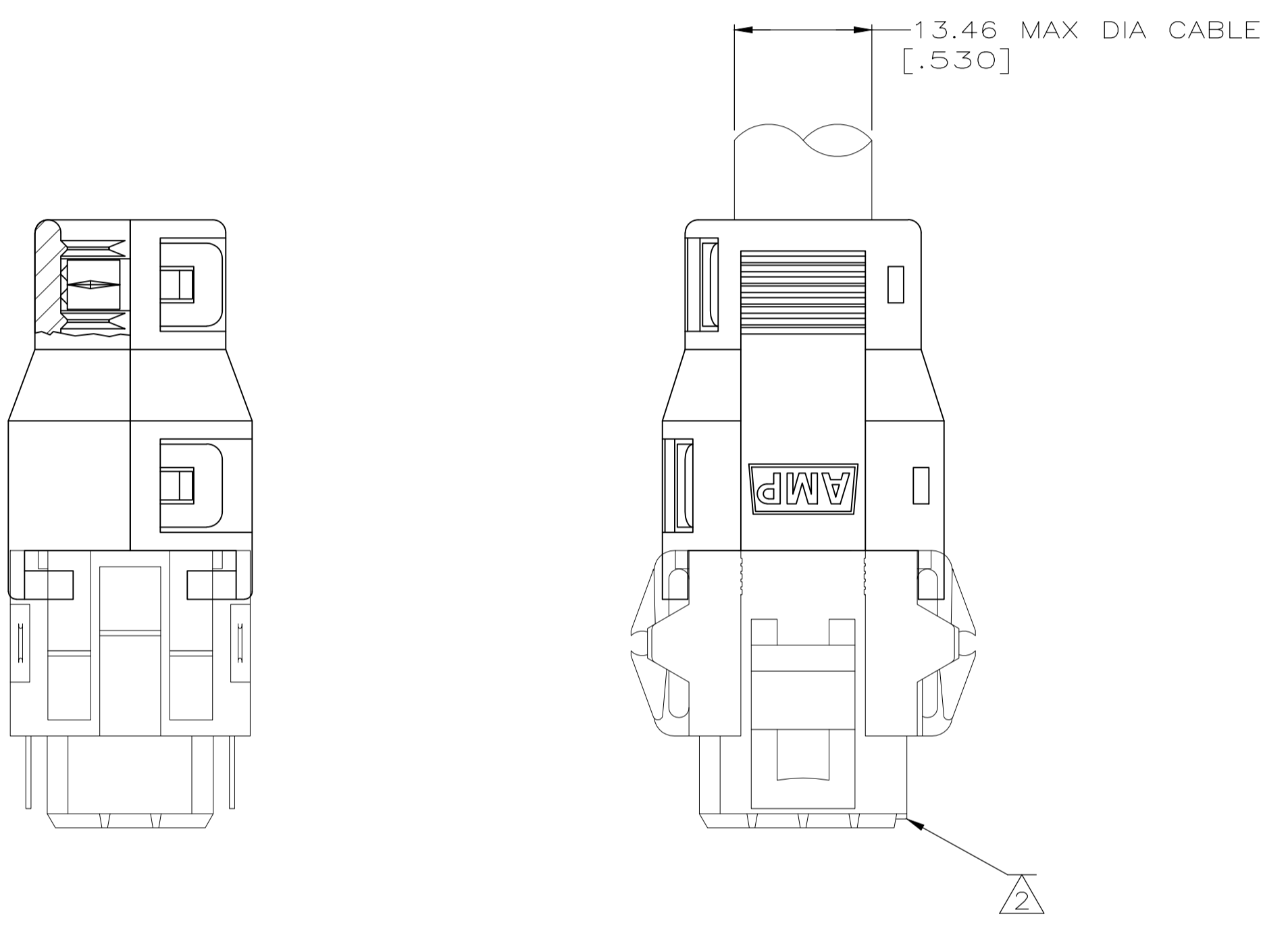
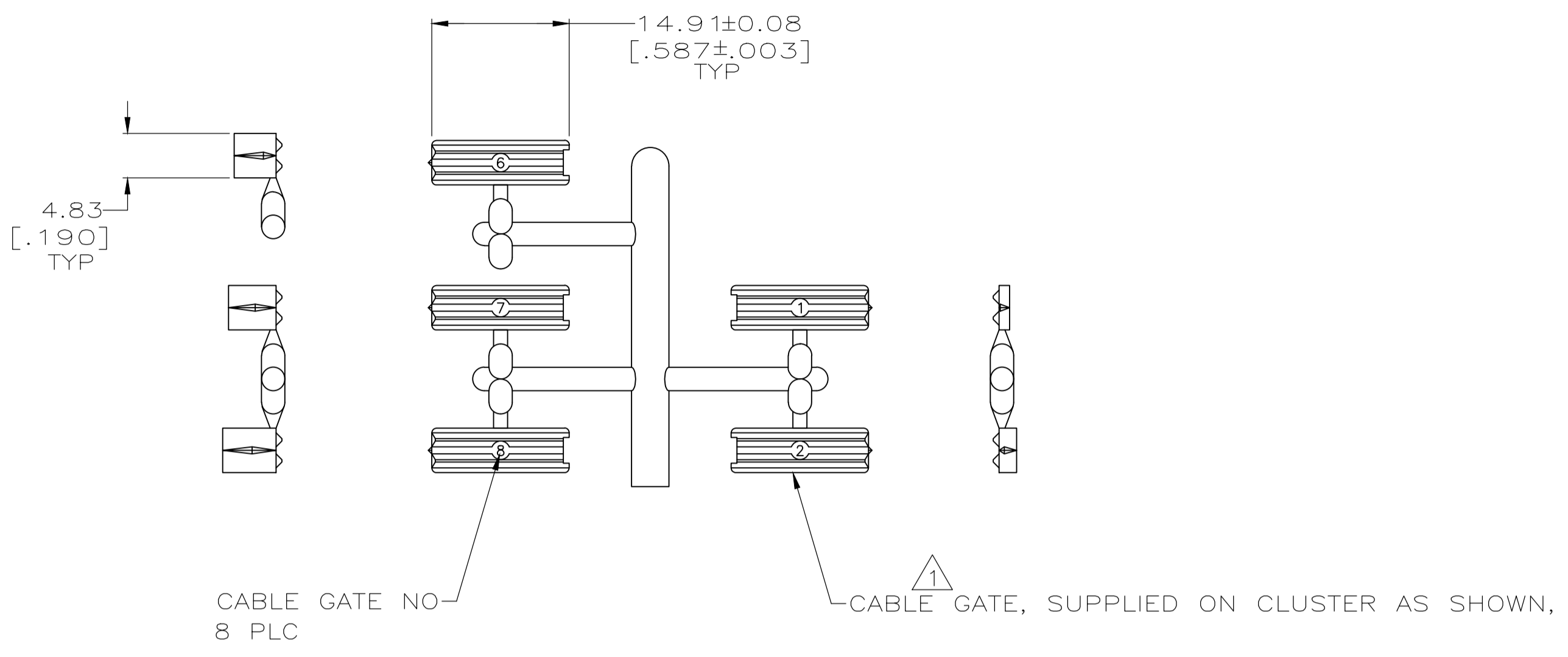
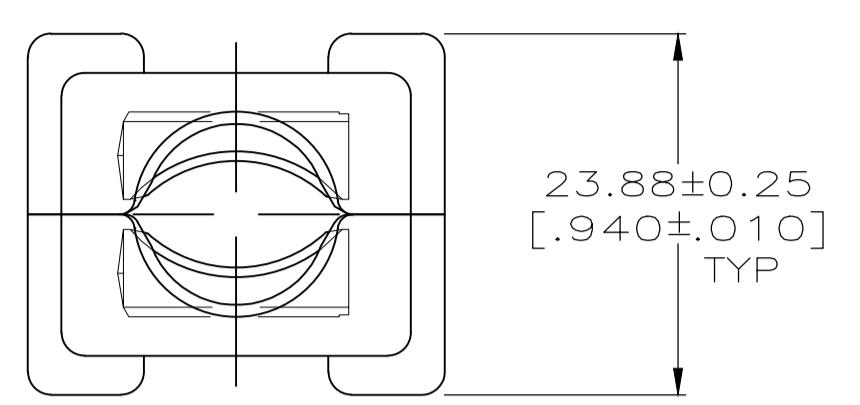


REVISIONS				
P	LTR	DESCRIPTION	DATE	OWN
E		REVISED PER ECO-20-002047	20FEB2020	RK MZ



- ▲ A VARIETY OF CABLE GATES ARE PROVIDED TO ACCOMMODATE A VARIETY OF CUSTOMER CABLE SIZES.
- ▲ PLUG SHOWN FOR REFERENCE ONLY. STRAIN RELIEF CAN BE USED ON EITHER PLUG OR RECEPTACLE.
- ▲ HOUSING MATERIAL: PA66, BLACK, UL 94 V-0 RATED.

207602-1  
PART NUMBER

THIS DRAWING IS A CONTROLLED DOCUMENT.		DIN J McCLINTON 1-27-92	TE Connectivity	
DIMENSIONS: INCHES		CHK R STONE 1-29-92	APVD	
TOLERANCES UNLESS OTHERWISE SPECIFIED:		PRODUCT SPEC	NAME	
0. PLC ± -	1. PLC ± -	108-10033	STRAIN RELIEF KIT, UNASSEMBLED, 12 POSITION, METRIMATE	
2. PLC ± 0.13[.005]	3. PLC ± -	APPLICATION SPEC	SIZE	
4. PLC ± -	ANGLES ± -	FINISH	CAGE CODE	DRAWING NO
MATERIAL ▲	FINISH -	WEIGHT -	A1 00779	C=207602
CUSTOMER DRAWING		SCALE 2:1	SHEET 1 OF 1	REV E

单击下面可查看定价，库存，交付和生命周期等信息

[>>TE Connectivity\(泰科\)](#)