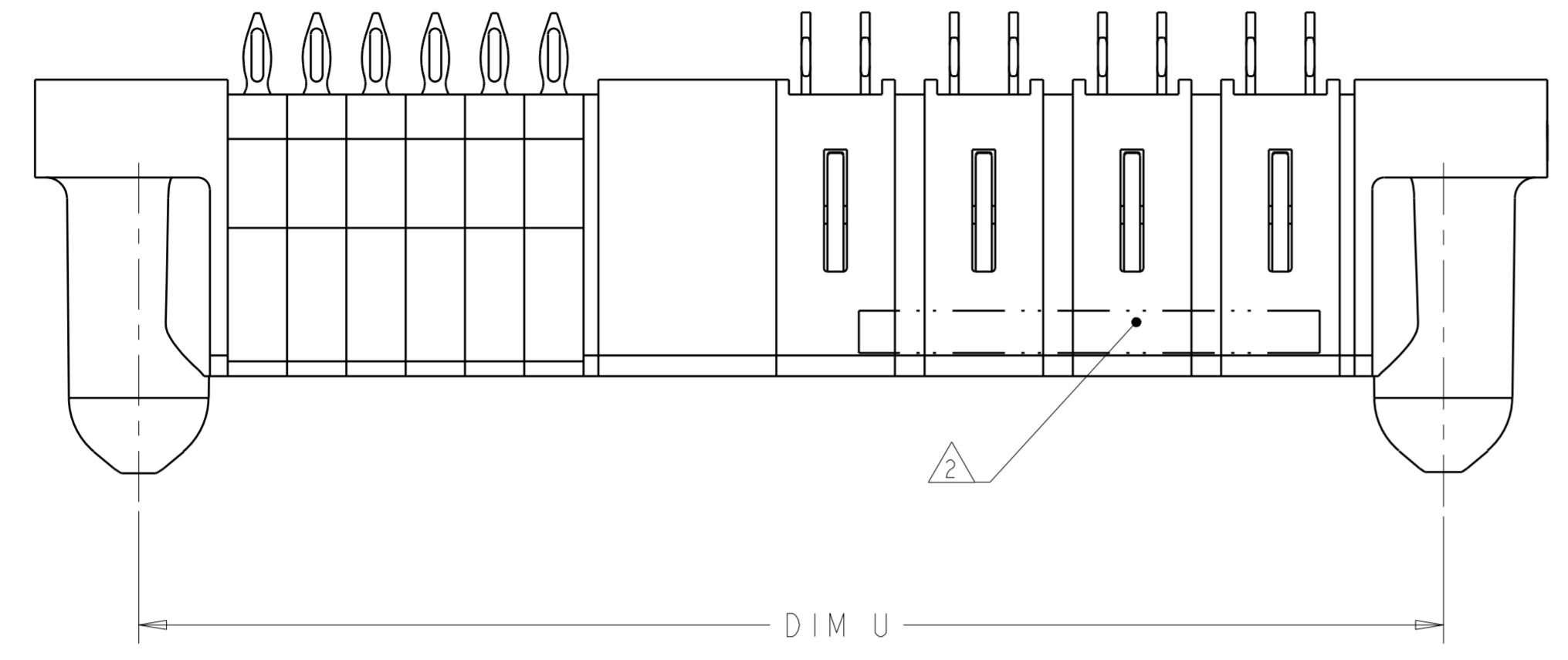
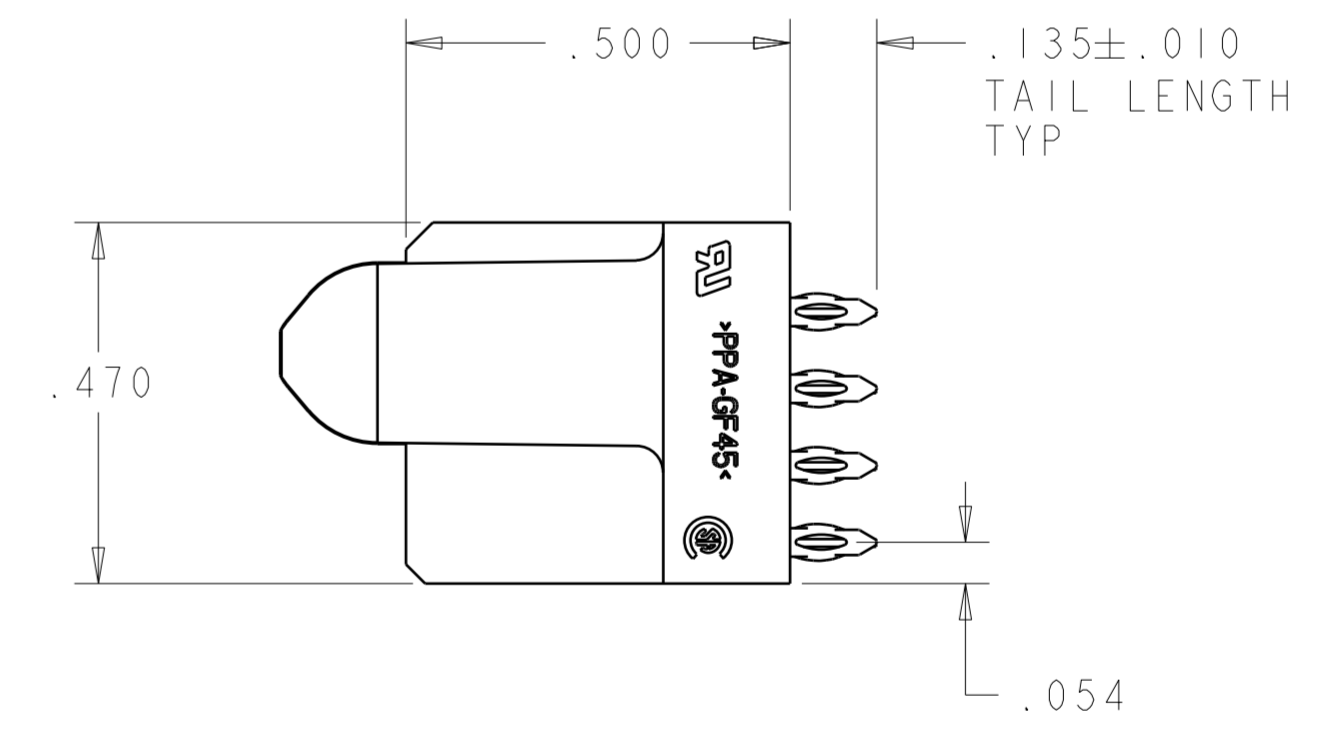
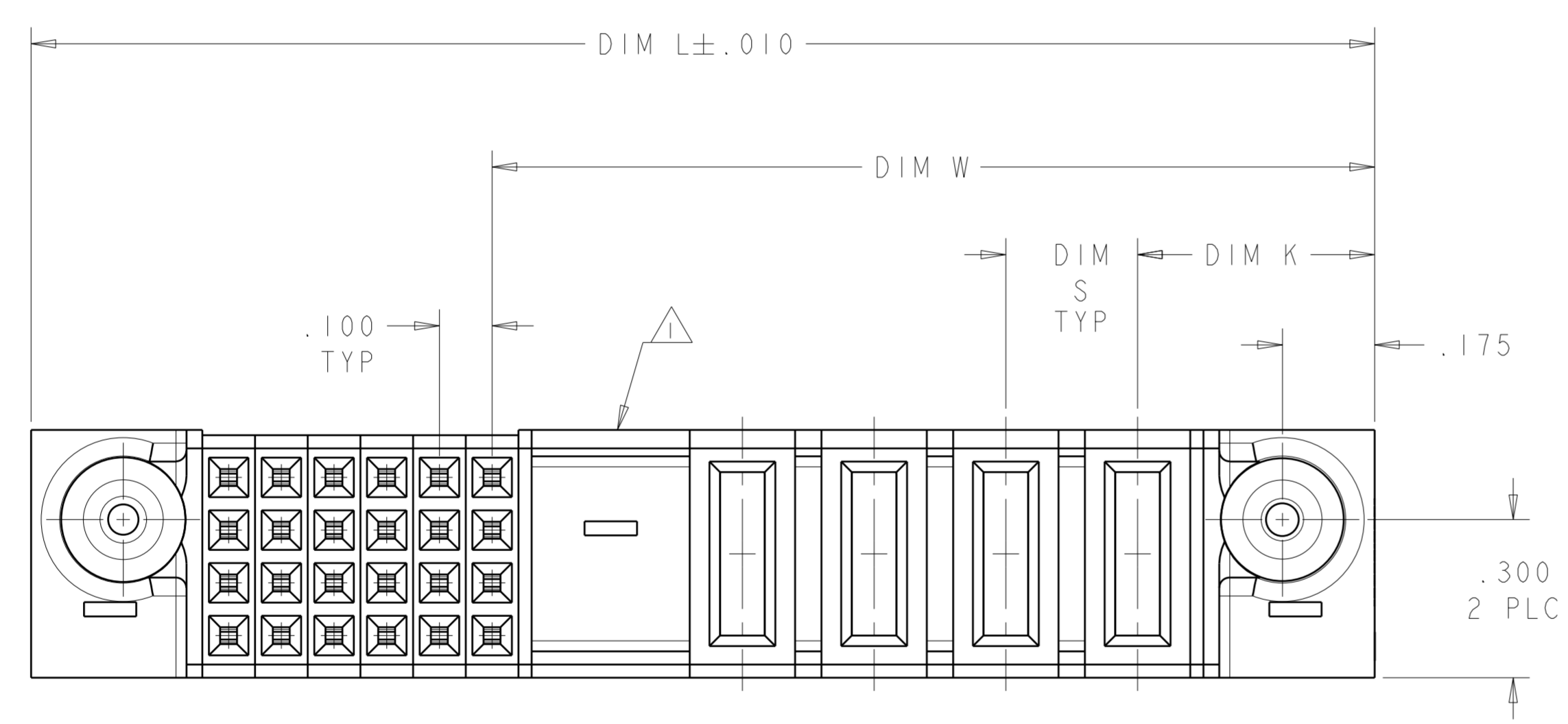


THIS DRAWING IS UNPUBLISHED. RELEASED FOR PUBLICATION 20
 © COPYRIGHT 20 BY TYCO ELECTRONICS CORPORATION. ALL RIGHTS RESERVED.

LOC	DIST	REVISIONS			
		REV	DATE	BY	APPD
ES	00	A	10OCT2006	CZ	SY



- ① OPTIONAL CENTER MODULE, WITH Ø.150 THRU HOLE OR HOLD DOWN FEATURE
- ② "AMP", PART NUMBER, AND DATE CODE TO BE MARKED IN AREA SHOWN, FAR SIDE
- ③ MATERIAL: HOUSING - GLASS FILLED HIGH TEMP THERMO PLASTIC, UL94 V-0
 SIGNAL CONTACT - HIGH CONDUCTIVITY COPPER ALLOY
 POWER CONTACT - HIGH CONDUCTIVITY COPPER ALLOY
- ④ CONTACT PLATING: SIGNAL CONTACTS - .000050 MIN Ni UNDER ALL
 .000030 MIN Au ON CONTACT AREA
 .000100 MIN Sn AT PCB INTERFACE
 POWER CONTACTS - .000050 MIN Ni UNDER ALL
 .000030 MIN Au ON CONTACT AREA
 .000100 MIN Sn AT PCB INTERFACE
- ⑤ MECHANICAL CONNECTOR KEEP OUT ZONE
- ⑥ DATUM AND BASIC DIMENSIONS ESTABLISHED BY CUSTOMER
- ⑦ PCB - ALL HOLE DIAMETERS ARE FINISHED HOLE SIZES
- ⑧ PCB - .0453 +/- .0010 DRILLED HOLES PLATED WITH .0003 MIN Sn
 OVER .001 TO .003 PLATING TO ACHIEVE A .040 DIA HOLE
- ⑨ VARIABLE DIMENSIONS SHOWN ON VIEW (SHEETS 2 AND 3).
- ⑩ POWER CONTACT AREA LUBRICATED WITH LUBRICANT.



5.100	⑨	2.375	5.450	.450	8P + 112S	1892432-4
3.800	⑨	3.175	4.150	.450	12P + 28S	1892432-3
2.275	⑨	1.750	2.625	.450	5P + 24S	1892432-2
2.925	.250	2.375	3.275	.450	8P + 24S	1892432-1
U	S	W	L	K	DESCRIPTION	PART NUMBER

DIMENSIONS: INCHES 		TOLERANCES, UNLESS OTHERWISE SPECIFIED: 0 PLC ± 1 PLC ± 2 PLC ±.01 3 PLC ±.005 4 PLC ±.0020 ANGLES ±°P		DWN CECILY.ZHOU 10OCT2006 CHK S.ZHAO 10OCT2006 APVD S.YAO PRODUCT SPEC 108-1973 APPLICATION SPEC 114-13038 WEIGHT -		Tyco Electronics incorporated Shanghai, P.R. 200233 NAME S.YAO VERTICAL RECEPTACLE ASSEMBLY WITH GUIDES MULTI-BEAM XL SIZE A1 CASE CODE 00779 DRAWING NO C-1892432 RESTRICTED TO -	
MATERIAL ③				FINISH ④		CUSTOMER DRAWING SCALE 4:1 SHEET 1 OF 3 REV A	

单击下面可查看定价，库存，交付和生命周期等信息

[>>TE Connectivity\(泰科\)](#)