

4

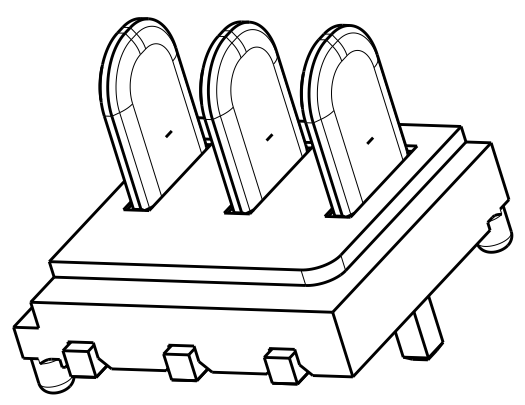
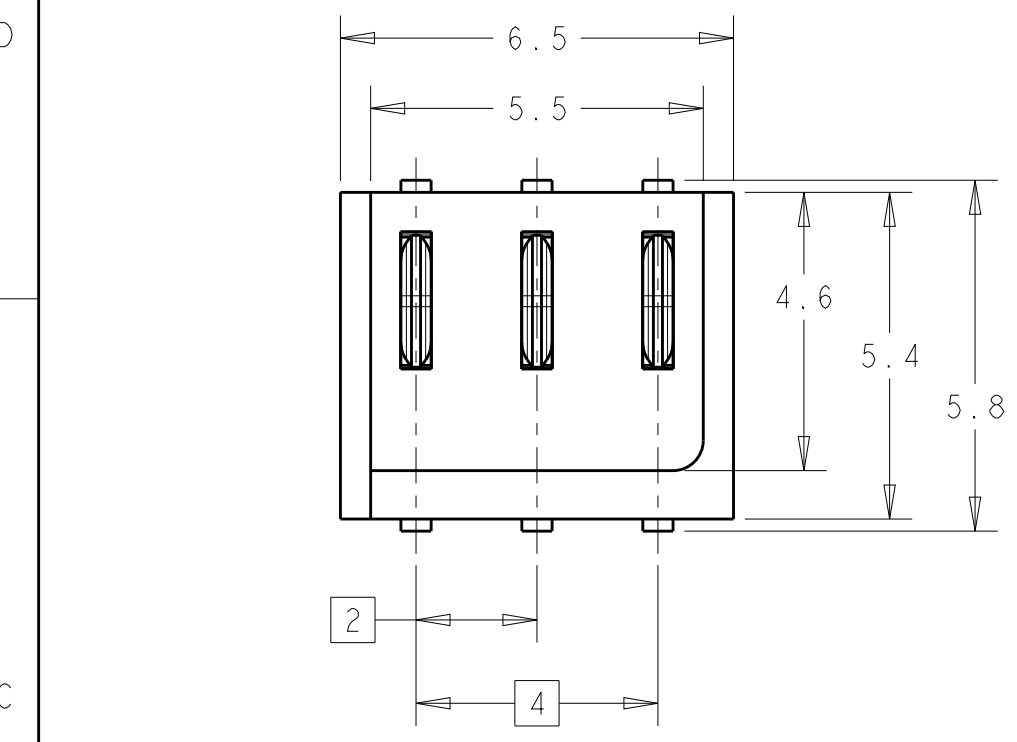
3

2

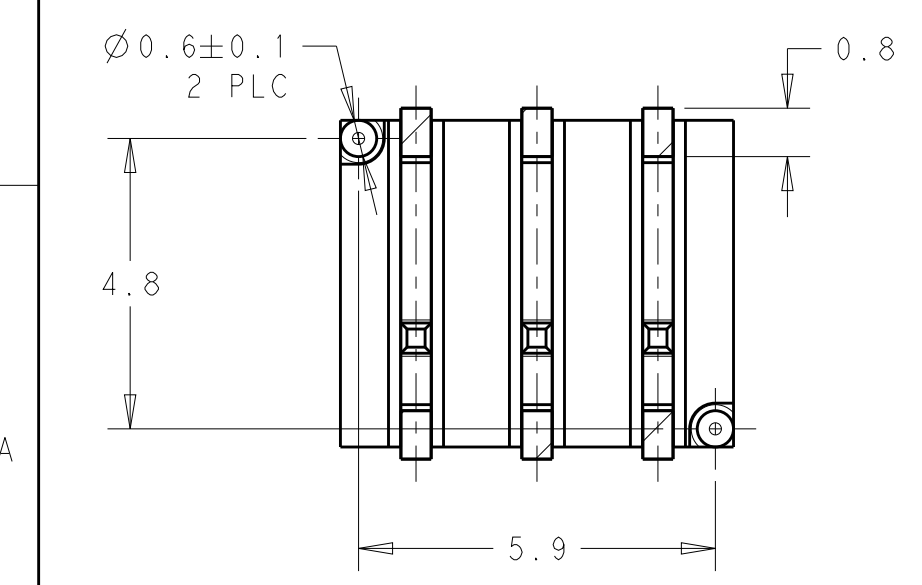
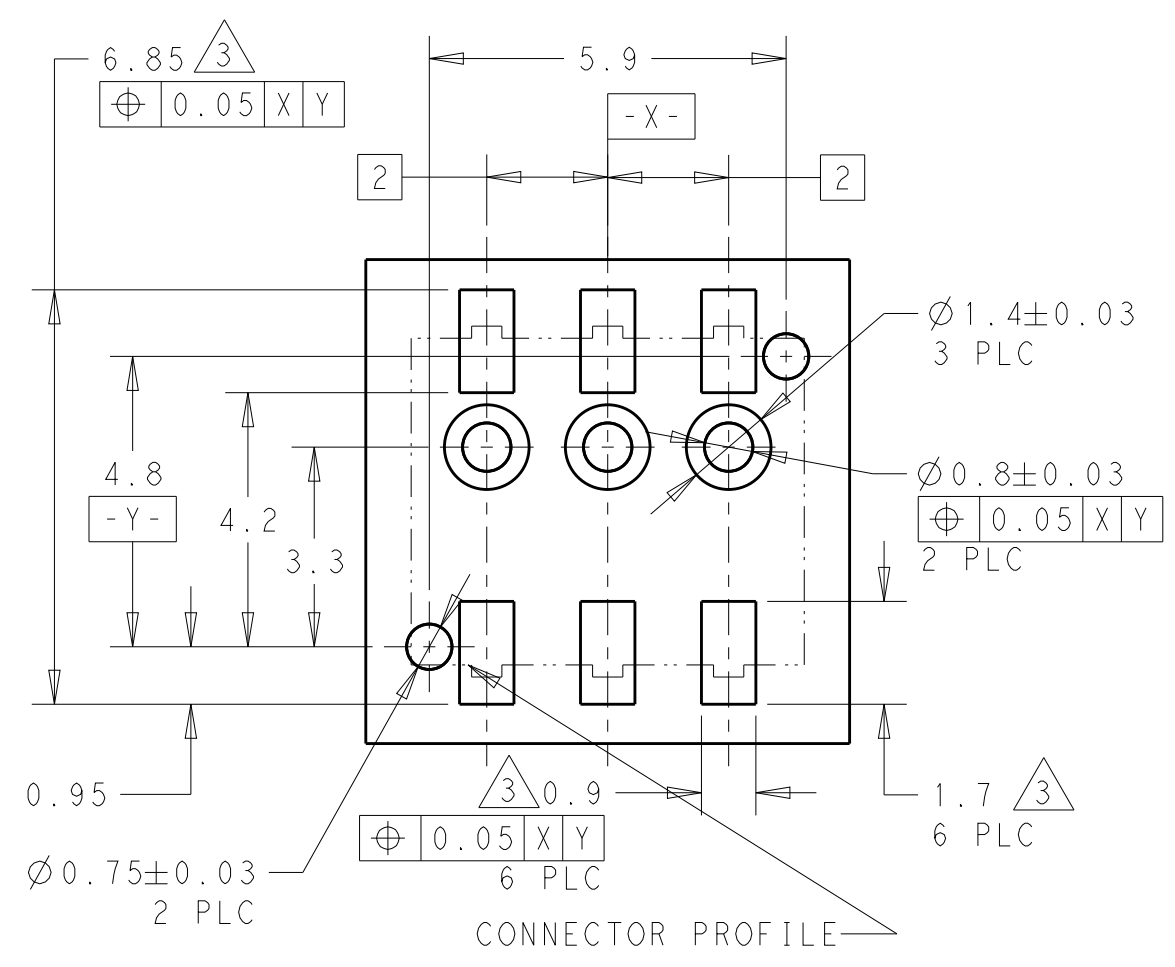
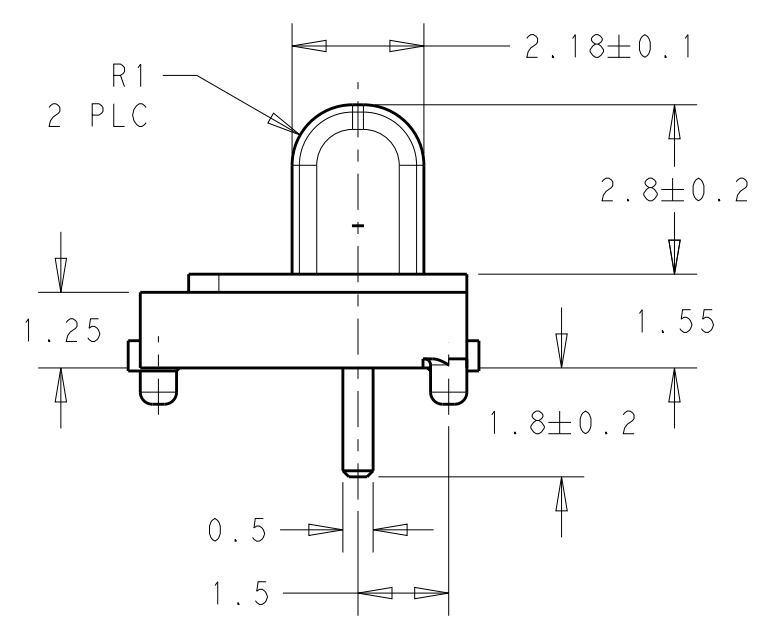
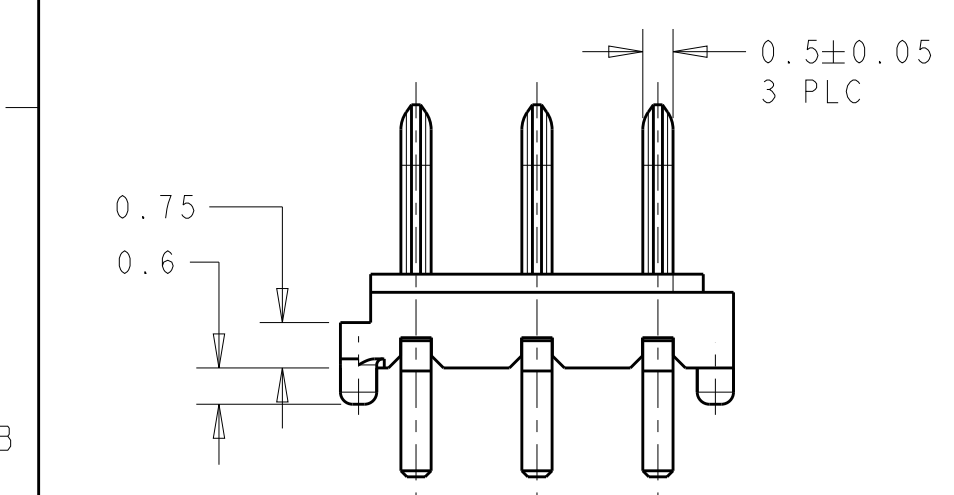
1

THIS DRAWING IS UNPUBLISHED. RELEASED FOR PUBLICATION 20
 © COPYRIGHT 20 BY - ALL RIGHTS RESERVED.

LOC		DIST		REVISIONS			
P	LTR	DESCRIPTION	DATE	DWN	APVD		
-	-						



NOTES:
 1 MATERIAL:
 HOUSING; THERMOPLASTIC RESIN, UL94V-0, BLACK
 CONTACT; COPPER ALLOY
 2 FINISH: ALL OVER Ni UNDER PLATING.
 CONTACT AREA: GOLD PLATING
 SODERING AREA: GOLD FLASH
 3 NECESSARY SURFACEMOUNTING BY REFLOW



2199011-1 AS SHOWN

THIS DRAWING IS A CONTROLLED DOCUMENT.		DWN	E.L	11 JAN 2012	 TE Connectivity
DIMENSIONS: mm		CHK	X.X	11 JAN 2012	
TOLERANCES UNLESS OTHERWISE SPECIFIED:		APVD	X.X	11 JAN 2012	
0 PLC ±- 1 PLC ±0.3 2 PLC ±0.25 3 PLC ±0.2 4 PLC ±0.2 ANGLES ±-		PRODUCT SPEC	108-5846		
MATERIAL		FINISH		APPLICATION SPEC	-
1		2		WEIGHT	0.21 G
		Customer Drawing		SIZE	A3
				CAGE CODE	00779
				DRAWING NO	2199011
				RESTRICTED TO	-
				SCALE	8:1
				SHEET	1 OF 1
				REV	A

单击下面可查看定价，库存，交付和生命周期等信息

[>>TE Connectivity\(泰科\)](#)