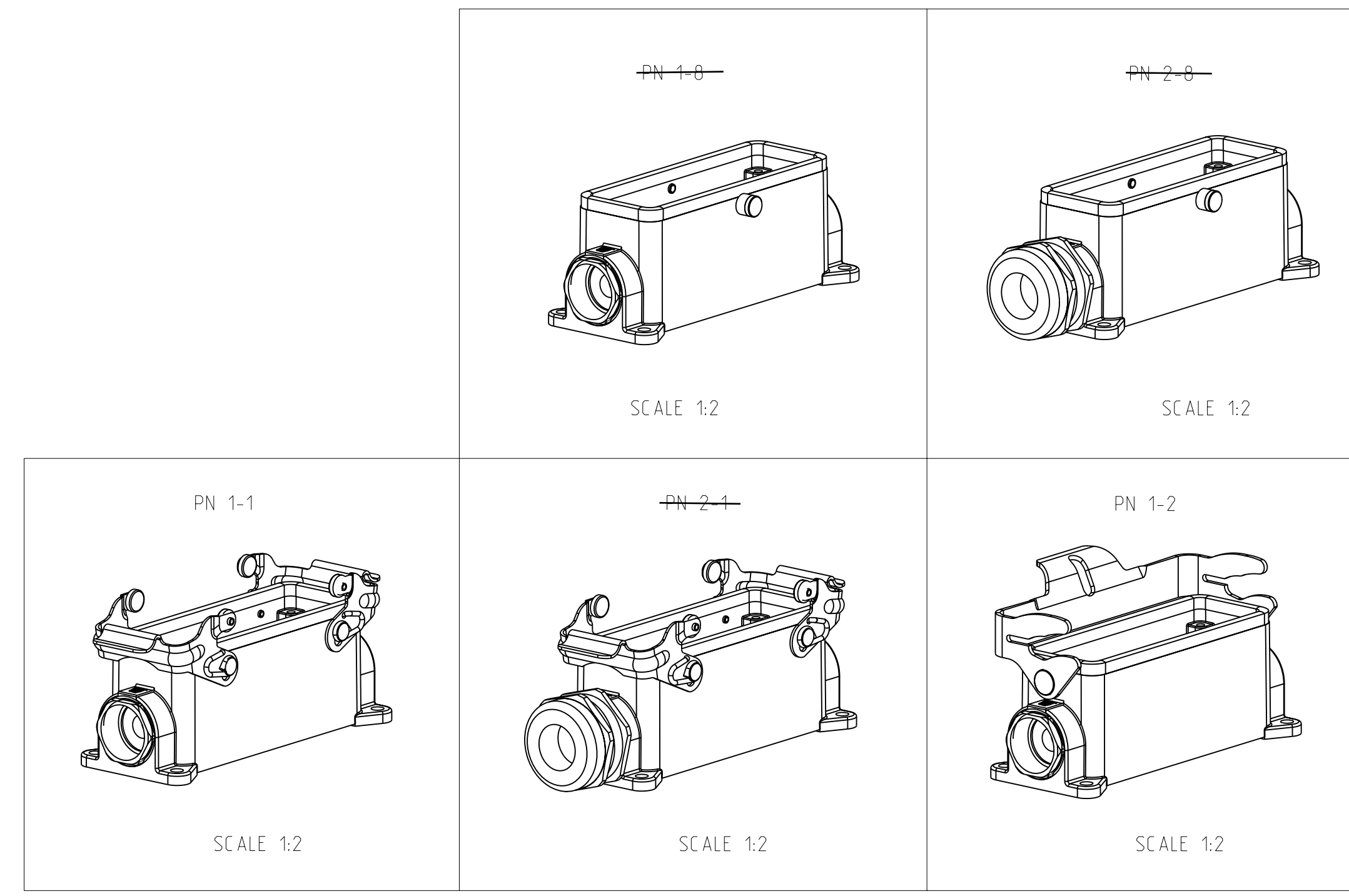
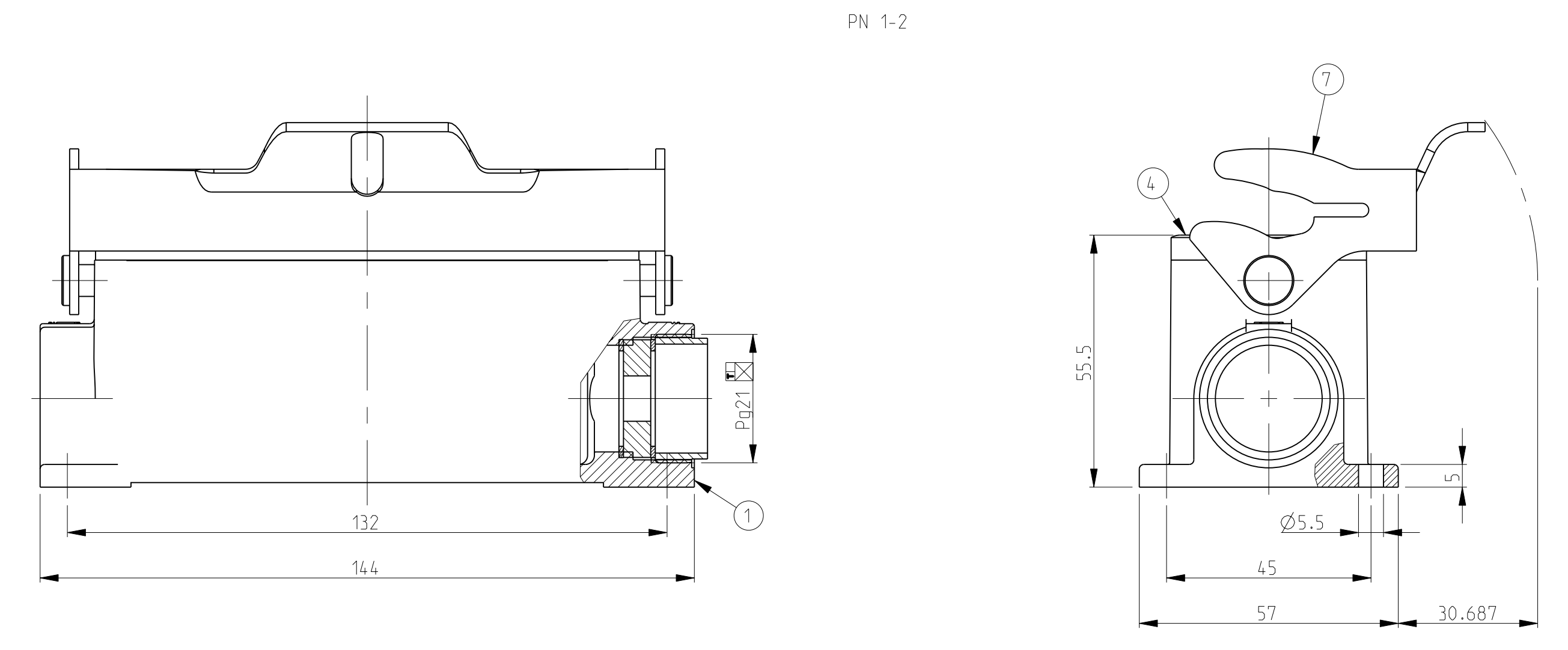
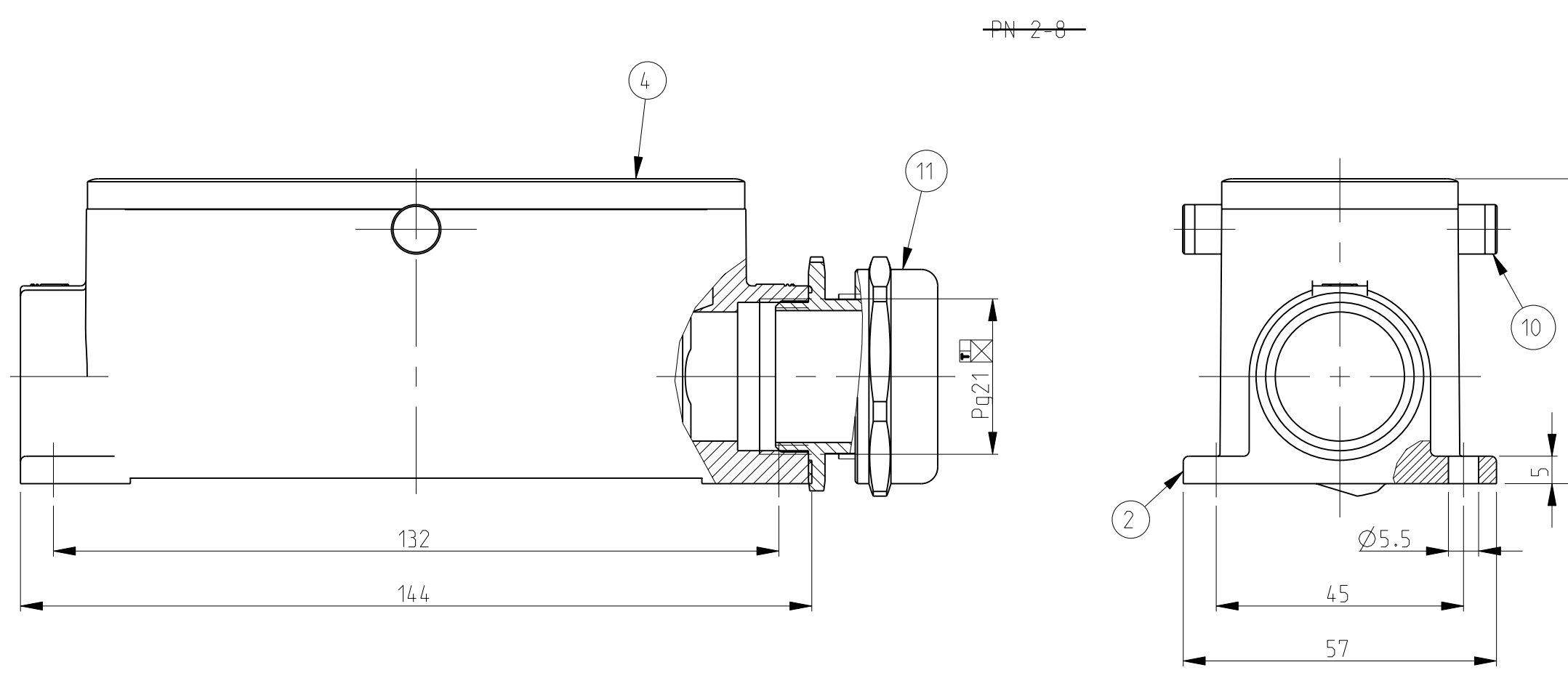
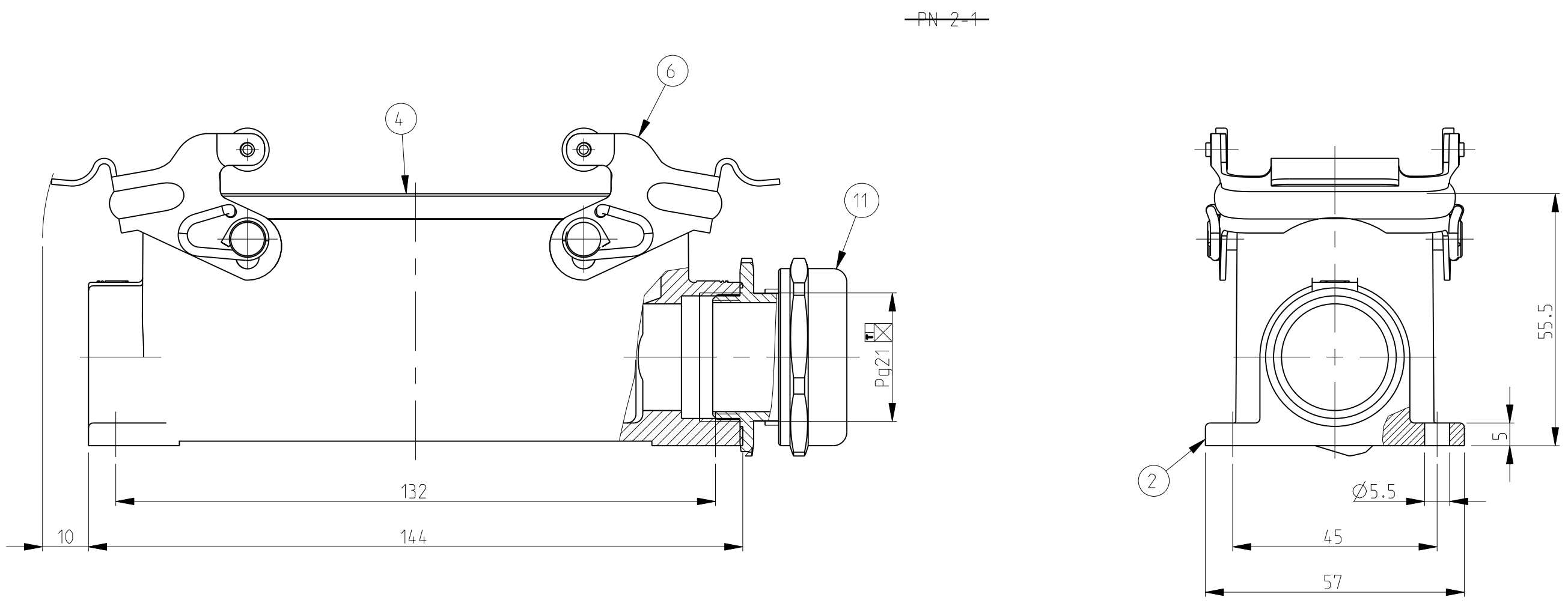
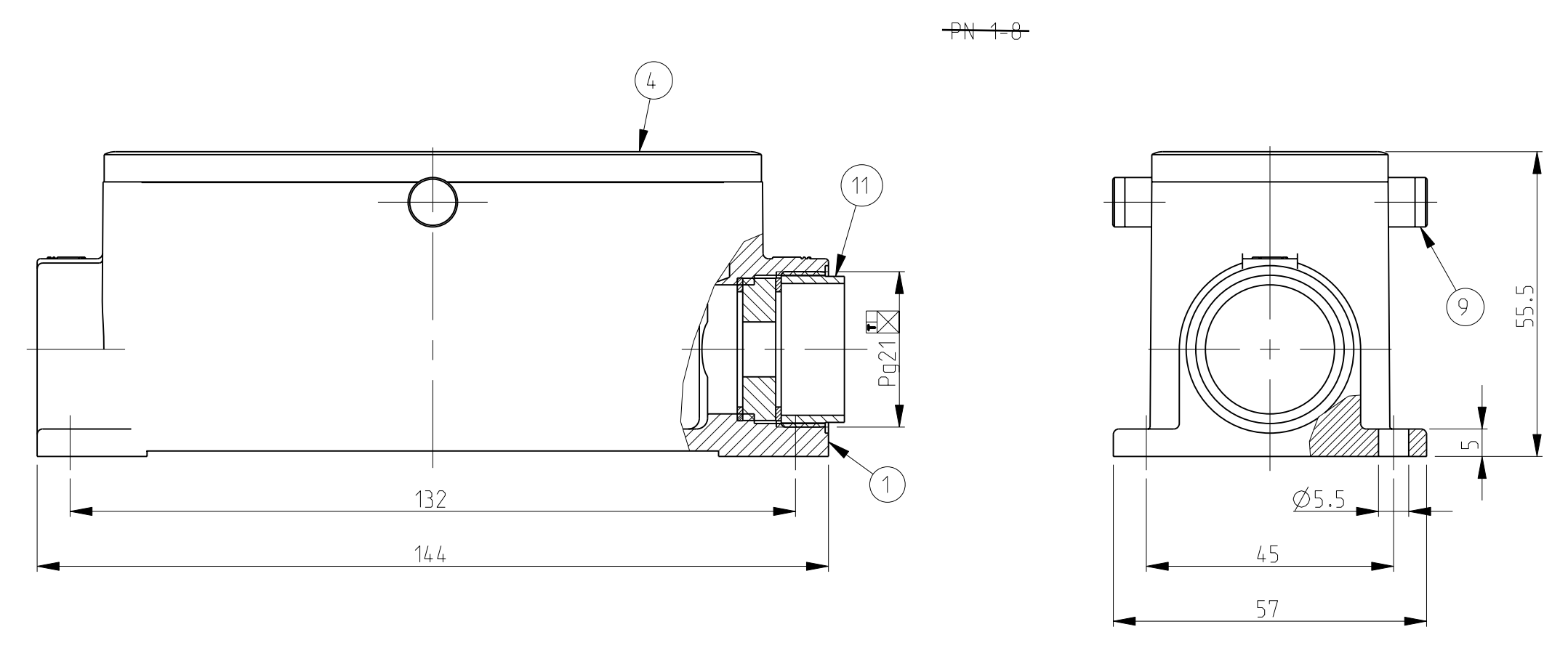
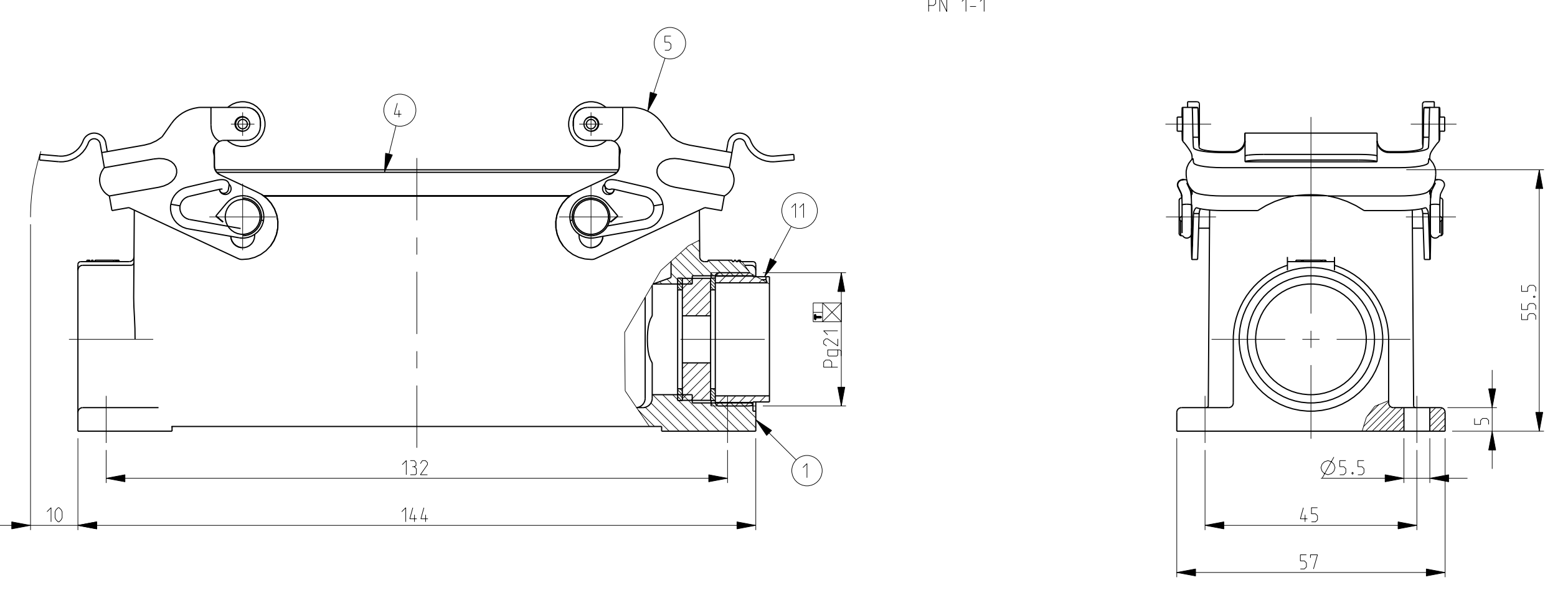


LOC	DIST	REVISIONS					
A1	-	P	L/N	DESCRIPTION	DATE	BY	APPV
		A5		REVISED PER ECO-09-027197	17DEC2009	KK	AEG
		A6		ECR-17-013084	29MAR18	SG	MKO

- NOTES.
- Material:Housing:Aluminium Diecasting Alloy
Seals:Neoprene
 - Surface:Varnish grey
- Aluminium Oxide -Varnish Black
 - Packaging
Quantity 5 Pieces in a box
- ⚠ OBSOLETE PARTS: OBSOLETE C IS STREAMLINING PER D.RENAUD/D.SINISI



QTY	DESCRIPTION	MATERIAL	SURFACE	COLOR	ITEM NO	NOTES
1	SEALING PLUG	Brass	Nickel plated		12	BS.21.MS
1	Cable fitting screw	Brass	Nickel plated		11	DS.21.D1
1	ZB-Clip bolt	Stainless steel			10	
2	ZB-Clip bolt	Steel	Zinc plated		9	
1	LB-Side clip	Stainless steel			8	
1	LB-Side clip	Steel	Zinc plated		7	
1	VS-Locking clip	Stainless steel			6	
2	VS-Locking clip	Steel	Zinc plated		5	
1	Profile seal	Neoprene		Black	4	
1	Surface mounted housing side entry HB BgB	Aluminium		Grey	3	
1	Surface mounted housing side entry HB BgB	Aluminium	Aluminium oxide	Black	2	
1	Surface mounted housing side entry HB BgB	Aluminium		Grey	1	

ORDERING TEXT

HB-24-SG-VS-1.21
 HB-24-SG-VS-1.21
 HB-24-SG-LB-1.21
 HB-K-24-SG-LB-1.21
 HB-2-24-SG-ZVGR-1.21
 HB-K-2-24-SG-ZVGR-1.21
 HB-24-SG-LB-1.21-G-Ø34-B-SO

TE Connectivity logo and product name: Surface mounted housing side entry HB.24.1.21

Customer Drawing: A0 00779 ©=1102330

单击下面可查看定价，库存，交付和生命周期等信息

[>>TE Connectivity\(泰科\)](#)