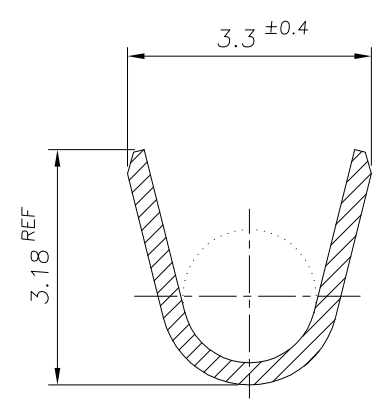
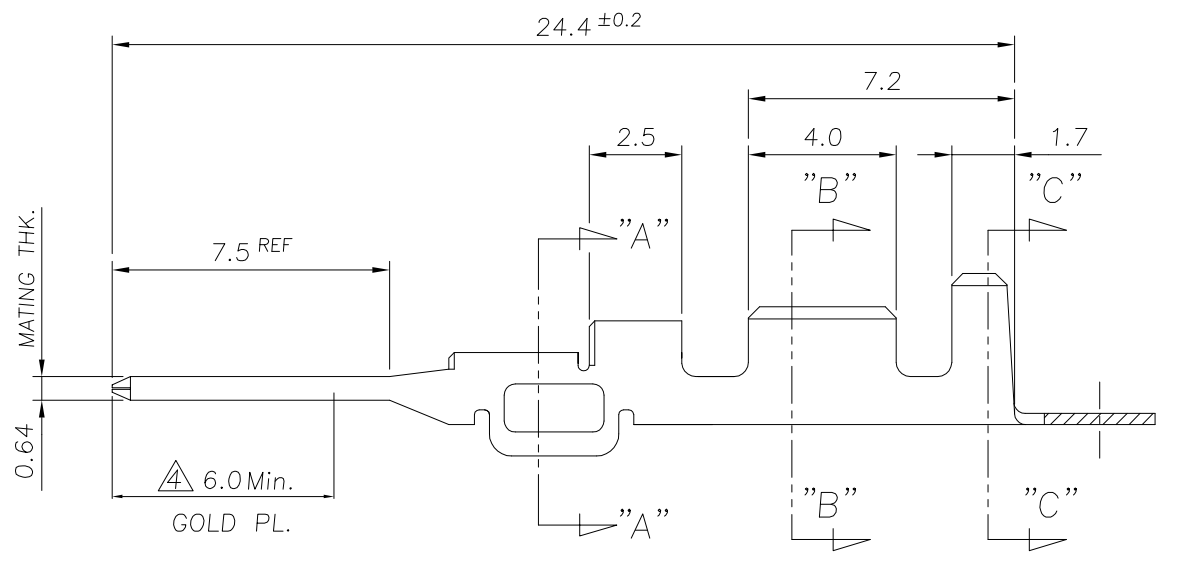
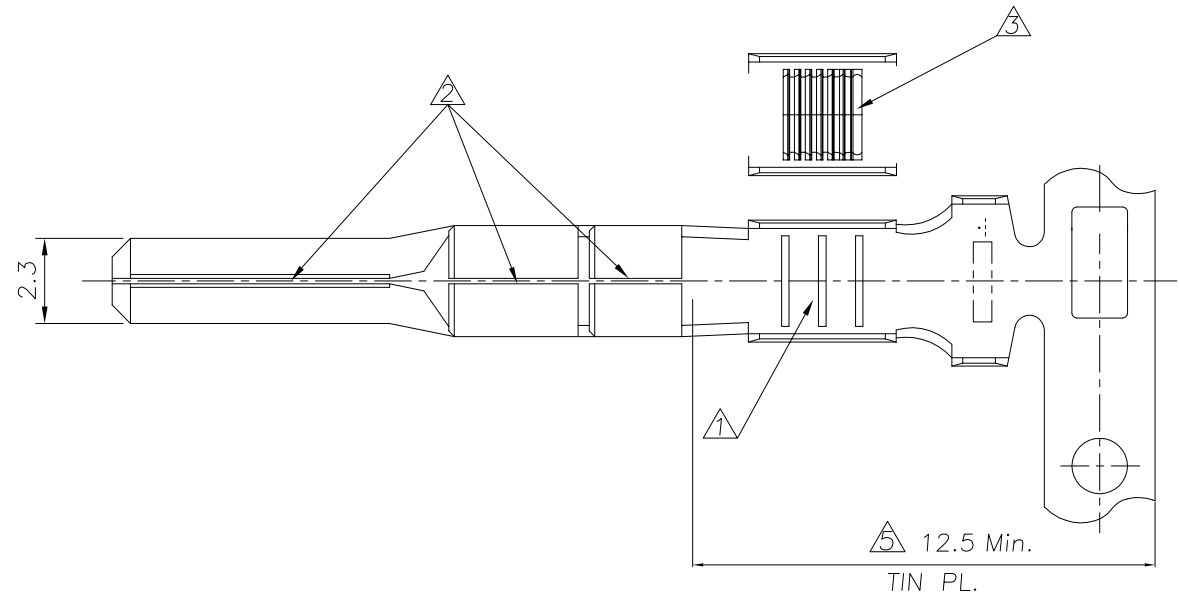
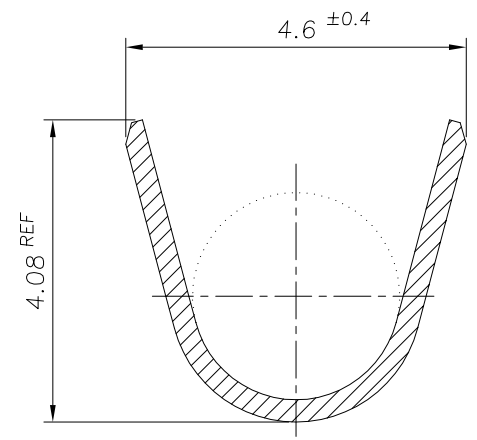


THIS DRAWING IS UNPUBLISHED. RELEASED FOR PUBLICATION
 © COPYRIGHT BY TYCO ELECTRONICS CORPORATION, ALL RIGHTS RESERVED.

LOC	DIST	REVISIONS					
		P	LTR	DESCRIPTION	DATE	DWN	APVD
DS	-		B1	REVISED (ECR-12-003220)	24.FEB.'12	KT	HG
			B2	REVISED (ECR-16-008993/ECO-16-009207)	24.FEB.'12	KT,J	KT,L

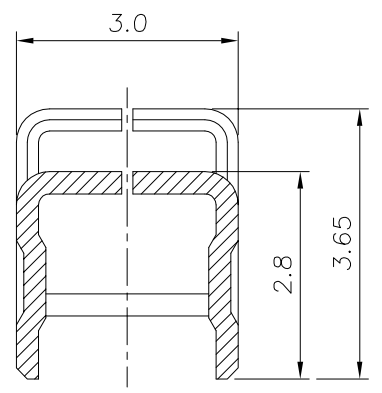


SECTION "B-B"
SCALE=10/1



SECTION "C-C"
SCALE=10/1


- NOTES
- △ THREE SERRATION CENTERED IN WIRE BARREL
 - △ 0.15 MAX GAP PERMISSIBLE
 - △ SEVEN SERRATION CENTERED IN WIRE BARREL



SECTION "A-A"
SCALE=10/1

△ ALUMINUM 0.75 SQ	PRE-TINNED	BRASS STRIP 0.3THK	9-368087-1
△ 0.85~1.25 SQ (B2)	△ SELECTIVE GOLD/TIN	BRASS STRIP 0.3THK	1-368087-1
△ 0.85~1.25 SQ (B2)	PRE-TINNED	BRASS STRIP 0.3THK	368087-1
WIRE RANGE	FINISH	MATERIAL	PART NUMBER

THIS DRAWING IS A CONTROLLED DOCUMENT FOR TYCO ELECTRONICS CORPORATION. IT IS SUBJECT TO CHANGE AND THE CONTROLLING ENGINEERING ORGANIZATION SHOULD BE CONTACTED FOR THE LATEST REVISION.

DWN KT JUNG	 TE Connectivity	NAME		
CHK KT JUNG		.090II MLC TAB CONTACT		
APVD KT LIM		SIZE	CAGE CODE	DRAWING NO
PRODUCT SPEC 108-61021		A3	00779	C-368087
APPLICATION SPEC 114-61004	WEIGHT		RESTRICTED TO	
MATERIAL SEE TABLE	FINISH SEE TABLE		-	
CUSTOMER DRAWING		SCALE 5/1	SHEET 1 OF 1 REV B2	

单击下面可查看定价，库存，交付和生命周期等信息

[>>TE Connectivity\(泰科\)](#)