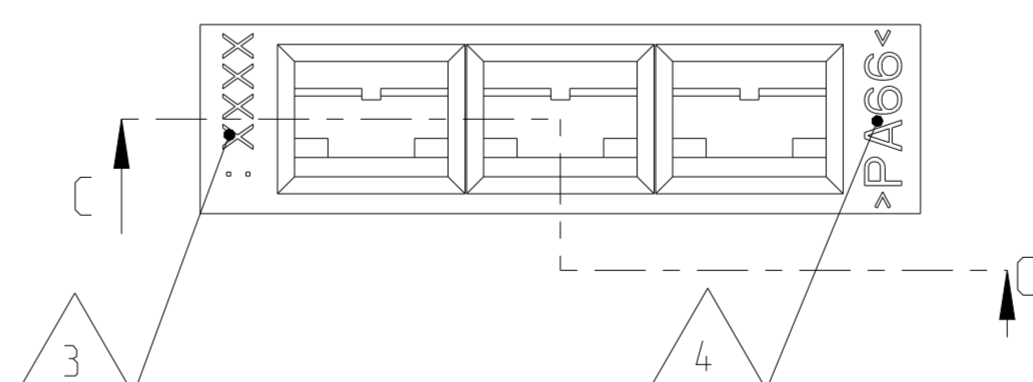
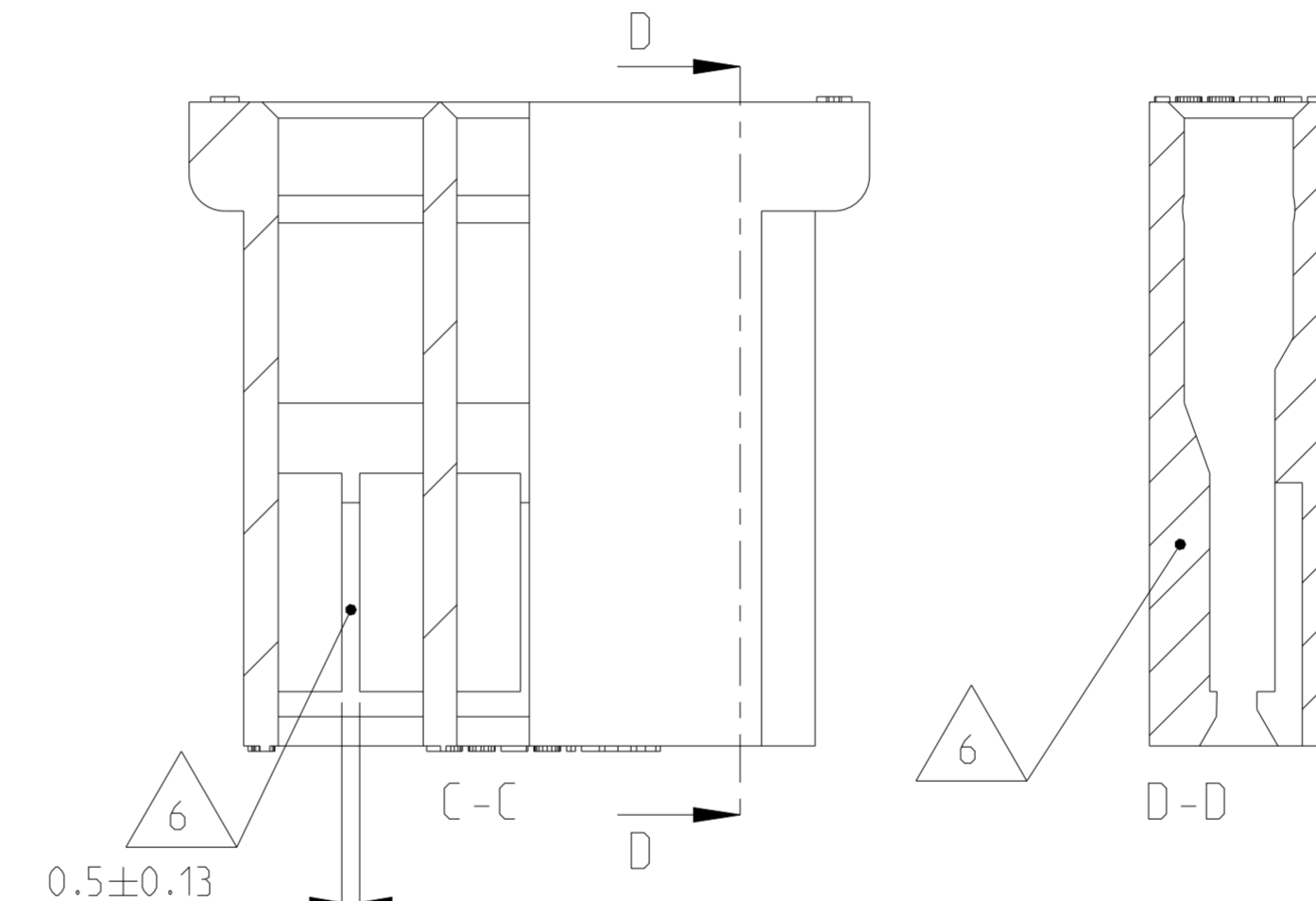
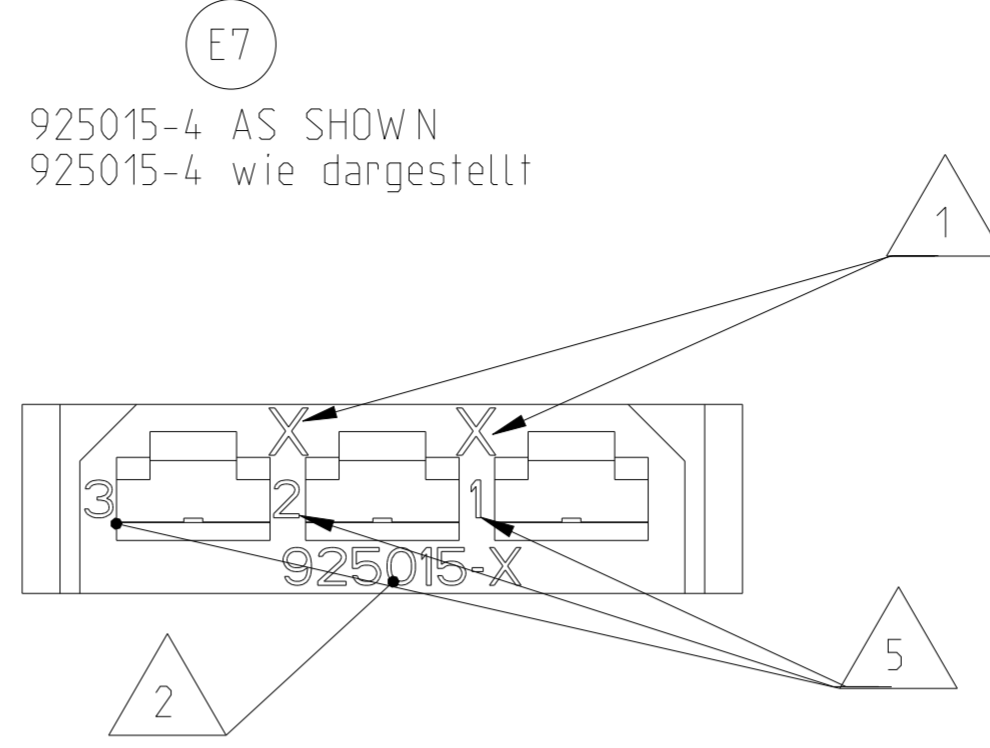
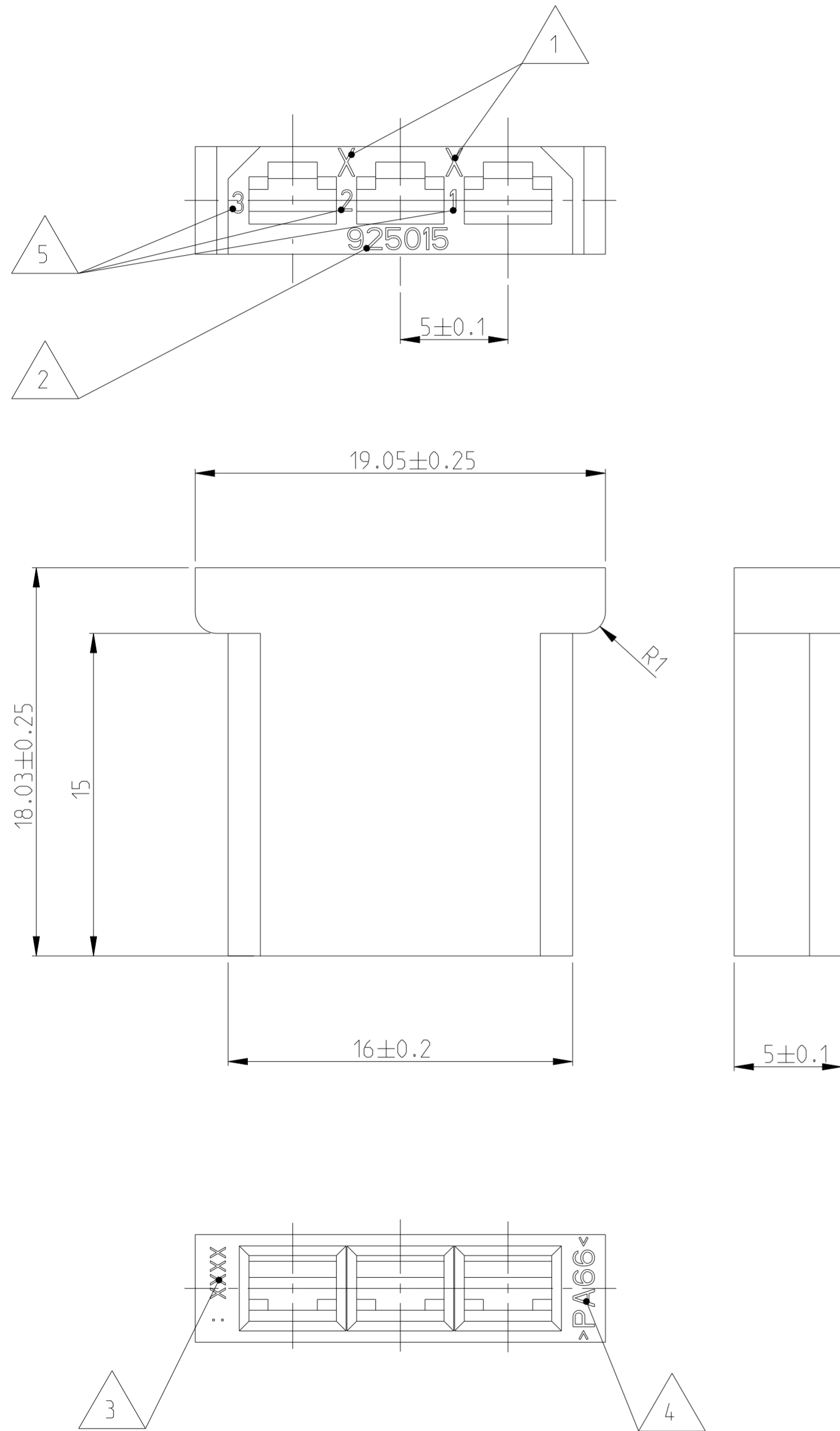


THIS DRAWING IS UNPUBLISHED. RELEASED FOR PUBLICATION 2006  
 © COPYRIGHT 2006 BY - ALL RIGHTS RESERVED.



LOC		DIST		REVISIONS			
P	LTR	DESCRIPTION	DATE	DWN	APVD		
E8		REVISED PER ECR-14-001194	15FEB2014	NK	JR		
E9		REVISED PER ECO-18-000213	5JAN2018	DL	TD		
E10		REVISED PER ECR-21-101990	19APR2021	SS	EW		
E11		REVISED PER ECR-21-107994	26AUG2021	SS	EW		

- NOTES  
Bemerkungen
- 1 MOULD CAVITY NUMBER  
Werkzeugnestzahl
  - 2 PART NUMBER  
Teilenummer
  - 3 ARTWORK LOGO  
Firmenzeichen
  - 4 MATERIAL MARKING  
Werkstoffkennzeichnung
  - 5 CHAMBER NUMBER  
Kammernummer
  - 6 CODING RIB  
Kodiersteg
  - 7 WEIGHT: 925015-0/-1/-2/-3 - 0,94g  
WEIGHT: 925015-4 - 0,98g  
Gewicht: 925015-0/-1/-2/-3 - 0,94g  
Gewicht: 925015-4 - 0,98g
  - 8 PACKAGING VARIANT OF 925015-0  
Verpackungsvariante von 925015-0
  - 9 MATERIAL GWT 750C
  - 10 PRELIMINARY FASR REQUIRED
  - 11 INTERNAL FLASH INSIDE CAVITY (THIN AND FLEXIBLE THAT DO NOT COME OFF) ACCEPTABLE UP TO 0.15 mm. EXTERNAL FLASH ACCEPTABLE UP TO 0.4 mm

925015-6	1	3POS. HOUSING	PA6	NATURAL
925015-5	A	3POS. HOUSING	PA6.6	NATURAL
925015-4	A	3POS. HOUSING	PA6.6	NATURAL
<del>925015-3</del>	<del>E</del>	<del>3POS. HOUSING</del>	<del>PA6.6 (ZYTEL 101)</del>	<del>NATURAL</del>
925015-2	E	3POS. HOUSING	PA6.6	RED
925015-1	E	3POS. HOUSING	PA6.6	BLACK
925015-0	E	3POS. HOUSING	PA6.6	NATURAL
ORDER-NO.	REV	DESCRIPTION	MATERIAL	COLOUR

THIS DRAWING IS A CONTROLLED DOCUMENT.

DWN Haas.C. 21MAR2005  
CHK Stredak.F. 22MAR2005  
APVD Bleicher.M. 31MAR2005

STE TE Connectivity

NAME 3POS. FASTIN-FASTON REC. HSG. SER.110  
3pol. F.F. Steckhuelsengehaeuse SERIE 2.8

SIZE CAGE CODE DRAWING NO RESTRICTED TO  
A2 00779 C-925015

MATERIAL FINISH WEIGHT SEE NOTE A2  
Customer Drawing SCALE 5:1 SHEET 1 OF 1 REV E11

单击下面可查看定价，库存，交付和生命周期等信息

[>>TE Connectivity\(泰科\)](#)