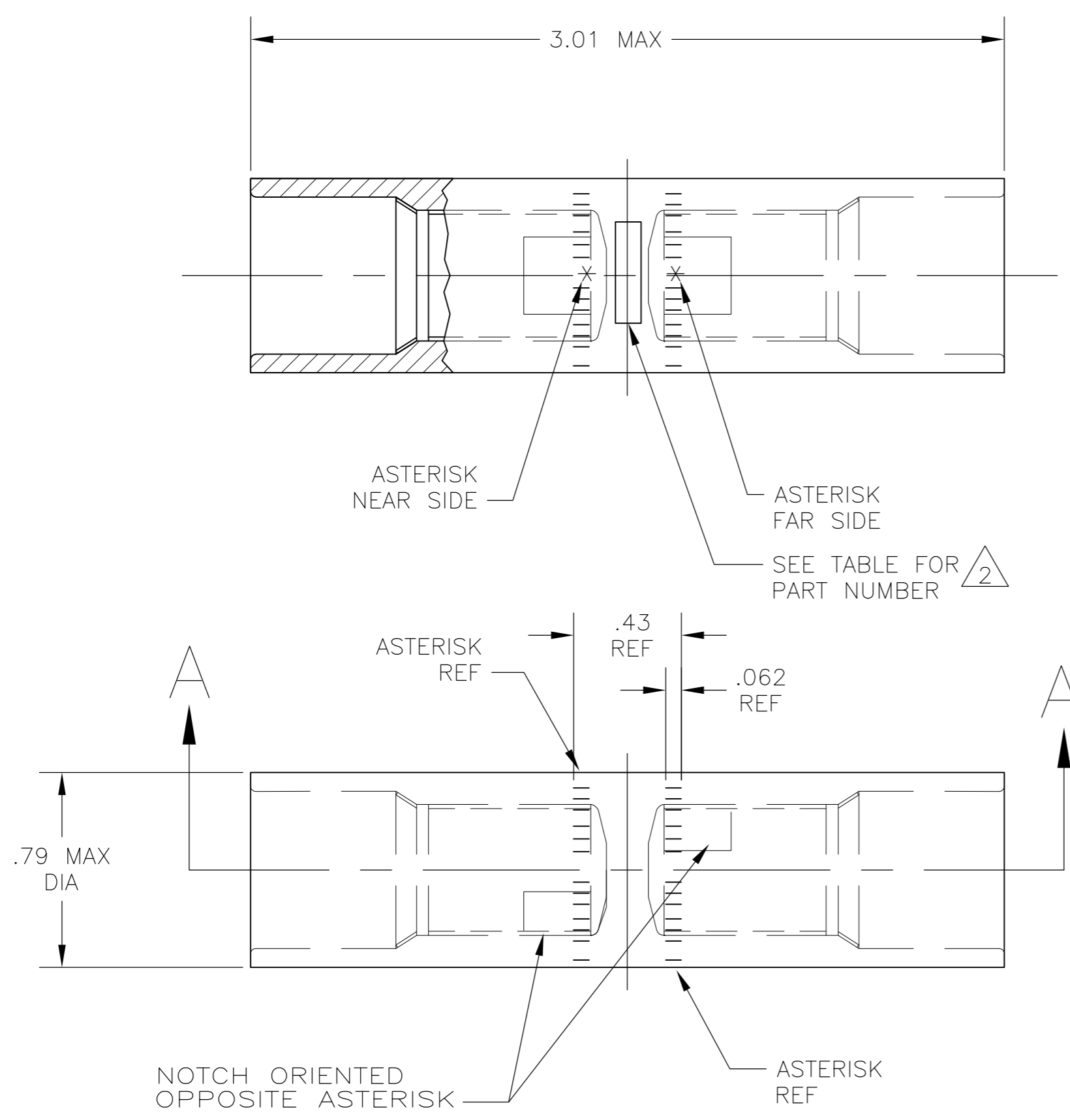
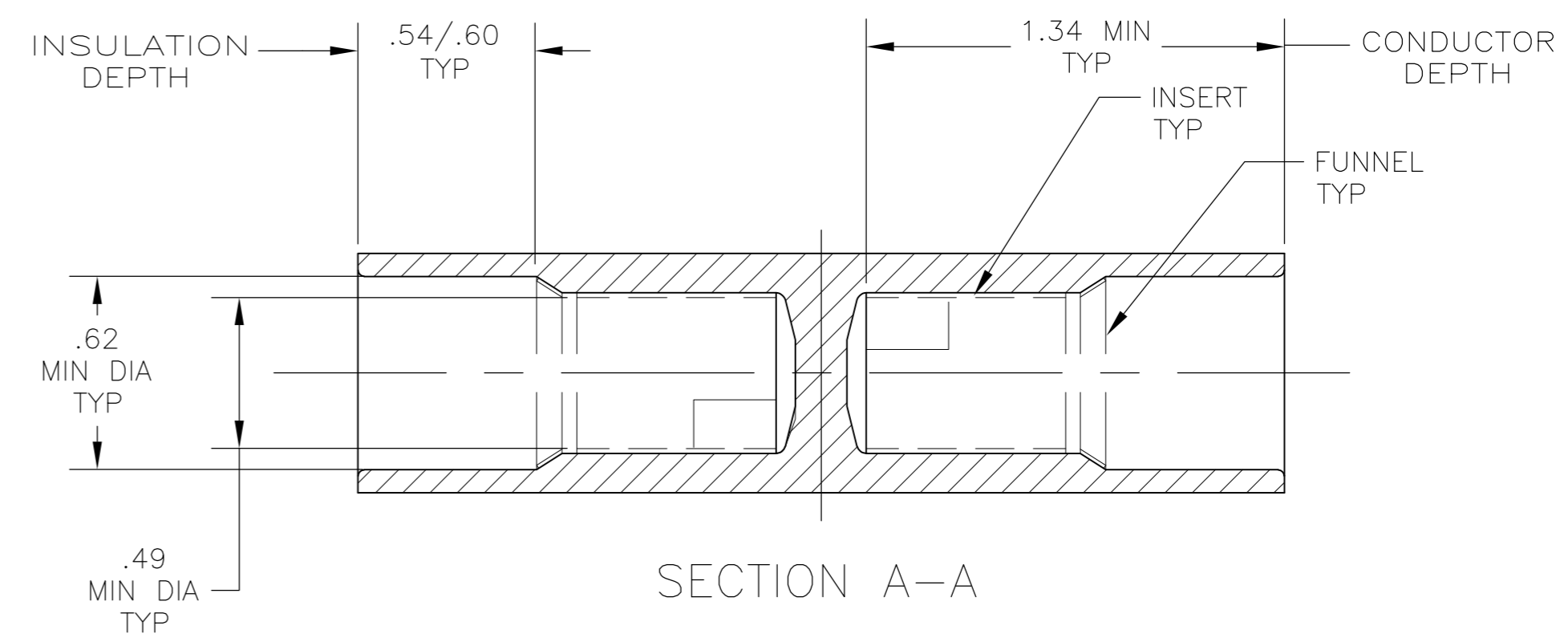


THIS DRAWING IS UNPUBLISHED. RELEASED FOR PUBLICATION
 © COPYRIGHT - By - ALL RIGHTS RESERVED.

LOC		DIST		REVISIONS			
P	LTR	DESCRIPTION		DATE	DWN	APVD	
G	86	H		REVISED PER ECO-11-017193	12OCT11	PY	BW



- 1 WIRE INSULATION: .501-.553 DIA
- 2 STAMP " 696861-x AMP 2/OAL-1/OCU 13-78" SIZE AND LOCATION APPROX AS SHOWN



BODY: COPPER ASTM B-187 TIN PL PER ASTM B-545 .000150 MIN THK	696861-1
INSERT & FUNNEL: BRASS ASTM B36 NICKEL PL SAE AMS QQ-N-290A, DATED JULY 2000, 0.00254 [.000100] MIN THK	
MATERIAL AND FINISH	PART NO

THIS DRAWING IS A CONTROLLED DOCUMENT.		DWN	JR RUTH	27OCT05	 TE Connectivity
DIMENSIONS: MM [INCHES]		CHK	MS FEHER	27OCT05	
TOLERANCES UNLESS OTHERWISE SPECIFIED:		APVD	MJ SPICER	27OCT05	
0 PLC ± - 1 PLC ± - 2 PLC ± .008 3 PLC ± - 4 PLC ± - ANGLES ± -		PRODUCT SPEC	NAME		
MATERIAL SEE TABLE		FINISH	SEE TABLE		WIRE SPLICE, BUTT, SEALED COPALUM 2/O AL - 1/O CU
WEIGHT		107 GRAMS		SIZE	A2
CUSTOMER DRAWING		SCALE		2:1	SHEET 1 of 1
REV		H		RESTRICTED TO	

单击下面可查看定价，库存，交付和生命周期等信息

[>>TE Connectivity\(泰科\)](#)