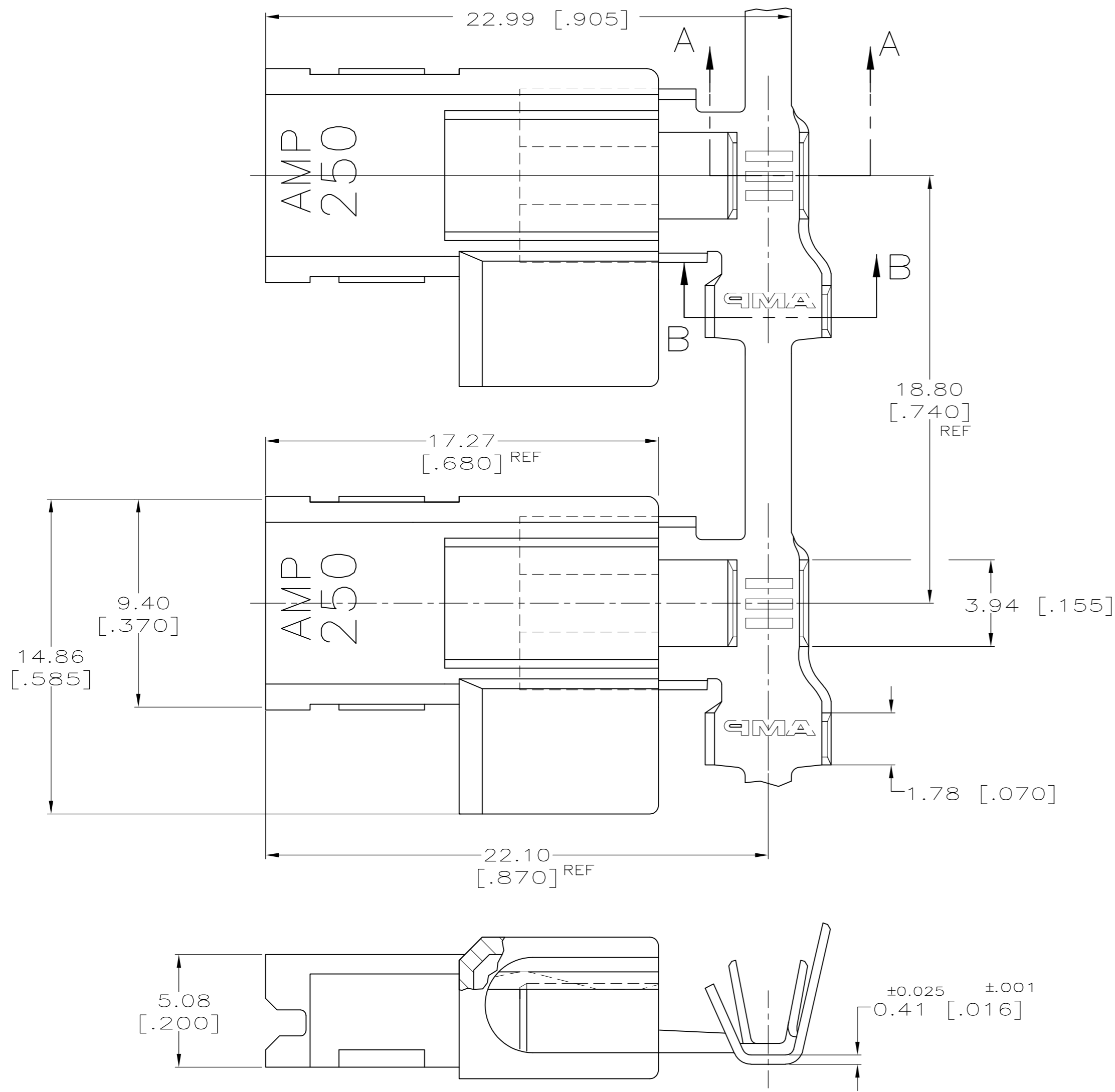
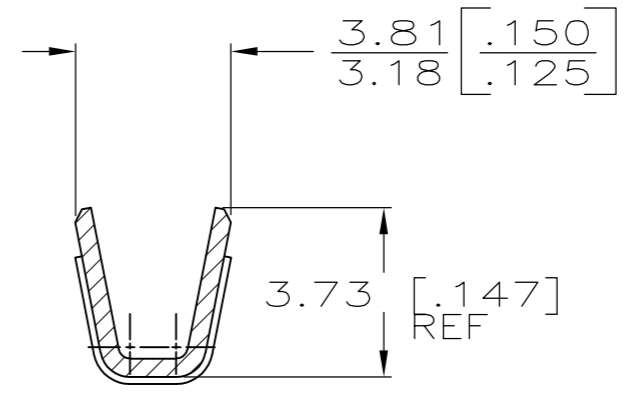


THIS DRAWING IS UNPUBLISHED. RELEASED FOR PUBLICATION
 © COPYRIGHT - By - ALL RIGHTS RESERVED.

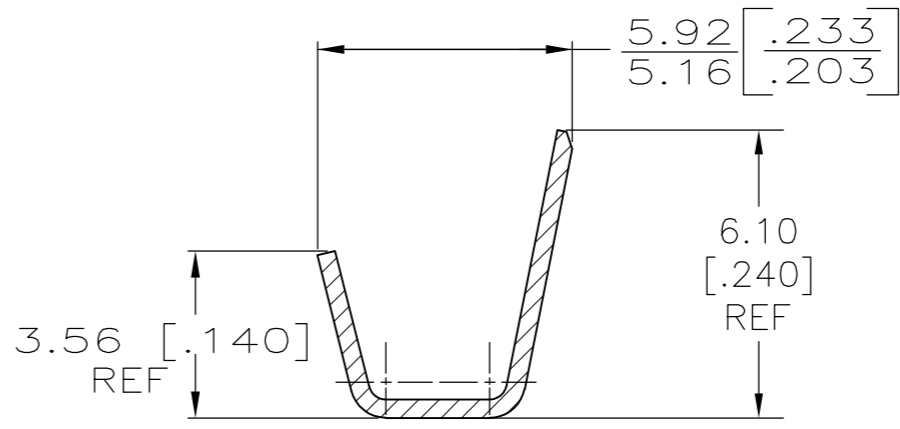
LOC		DIST		REVISIONS			
P	LTR	DESCRIPTION	DATE	DWN	APVD		
AF	50						
	D3	REVISED PER ECR-12-013219	08JAN13	KH	KR		



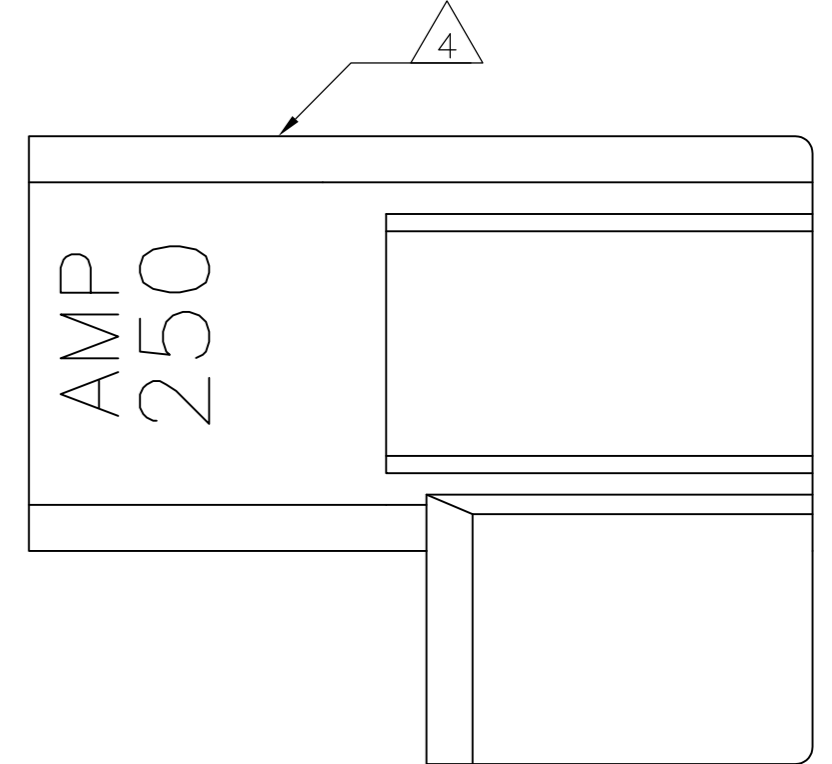
- 1 BUDGET FLAG FASTON TERMINALS, BASE P/N 63559, ARE USED IN THIS PRODUCT.
- 2 WIRE SIZE [#18-#14] AWG.
- 3 INSULATION RANGE IS 2.79-4.06 [.110-.160] DIA.
- 4 ALTERNATIVE HOUSING FORM



SECTION A-A



SECTION B-B



STANDARD	6/6 NYLON, VO / NATURAL	TIN PLATE - BRASS	521282-2
	6/6 NYLON, VO / NATURAL	PLAIN - BRASS	521282-1
PACKAGING	HOUSING MATERIAL / COLOR	TERMINAL FINISH - MATERIAL	PART NO
THIS DRAWING IS A CONTROLLED DOCUMENT.		DWN JR RUTH 13MAR00	
DIMENSIONS: mm [INCHES]		CHK MS FEHER 13MAR00	
TOLERANCES UNLESS OTHERWISE SPECIFIED:		APVD J HUMMEL 13MAR03	
0 PLC ± - 1 PLC ± - 2 PLC ± - 3 PLC ± 0.25 [.010] 4 PLC ± - ANGLES ± - FINISH SEE TABLE		NAME PRODUCT SPEC 108-1285 APPLICATION SPEC 114-2124 WEIGHT - CUSTOMER DRAWING	
MATERIAL SEE TABLE		SIZE A2	CAGE CODE 00779
		DRAWING NO C=521282	RESTRICTED TO -
		SCALE 6:1	SHEET 1 of 1
		REV D3	

单击下面可查看定价，库存，交付和生命周期等信息

[>>TE Connectivity\(泰科\)](#)