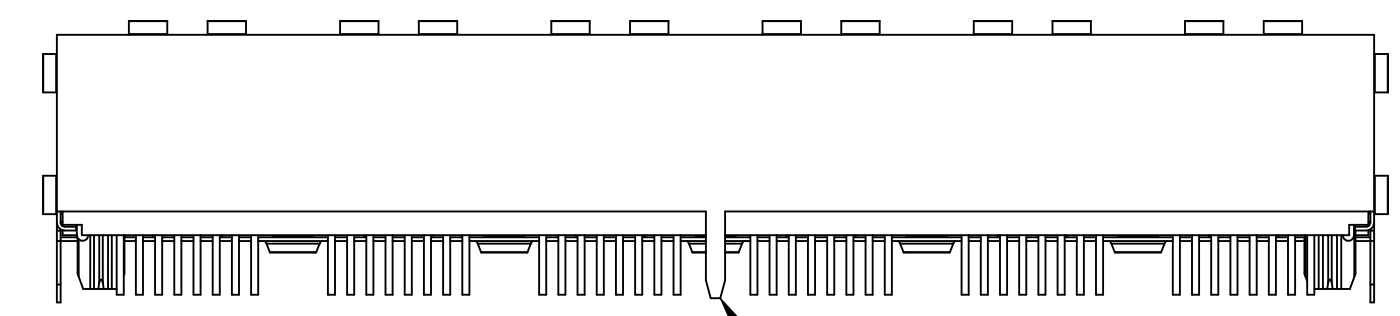
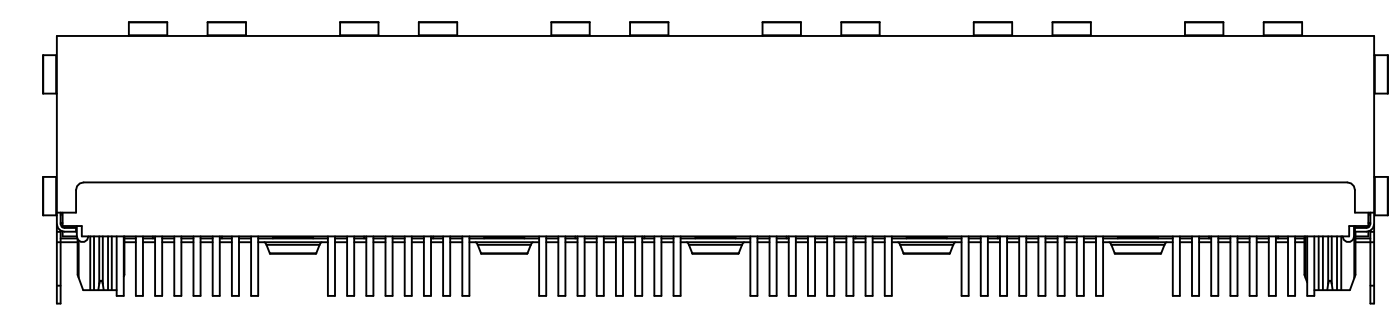
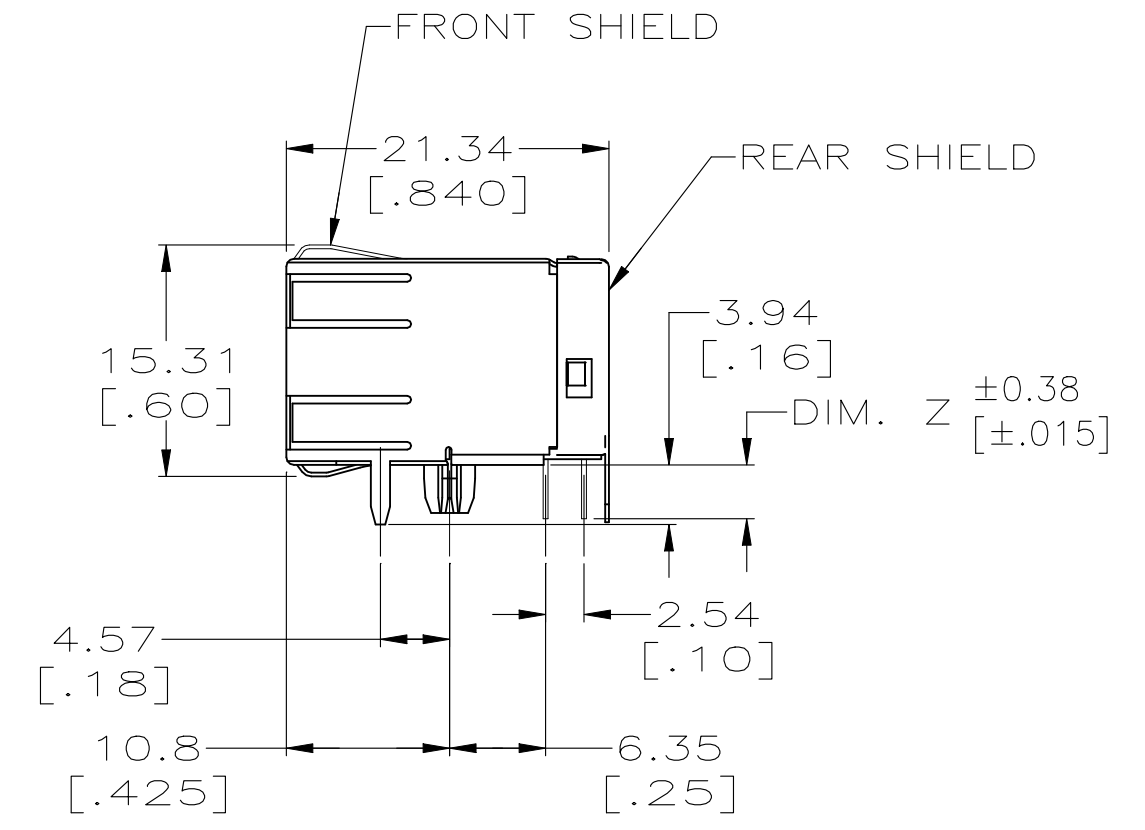
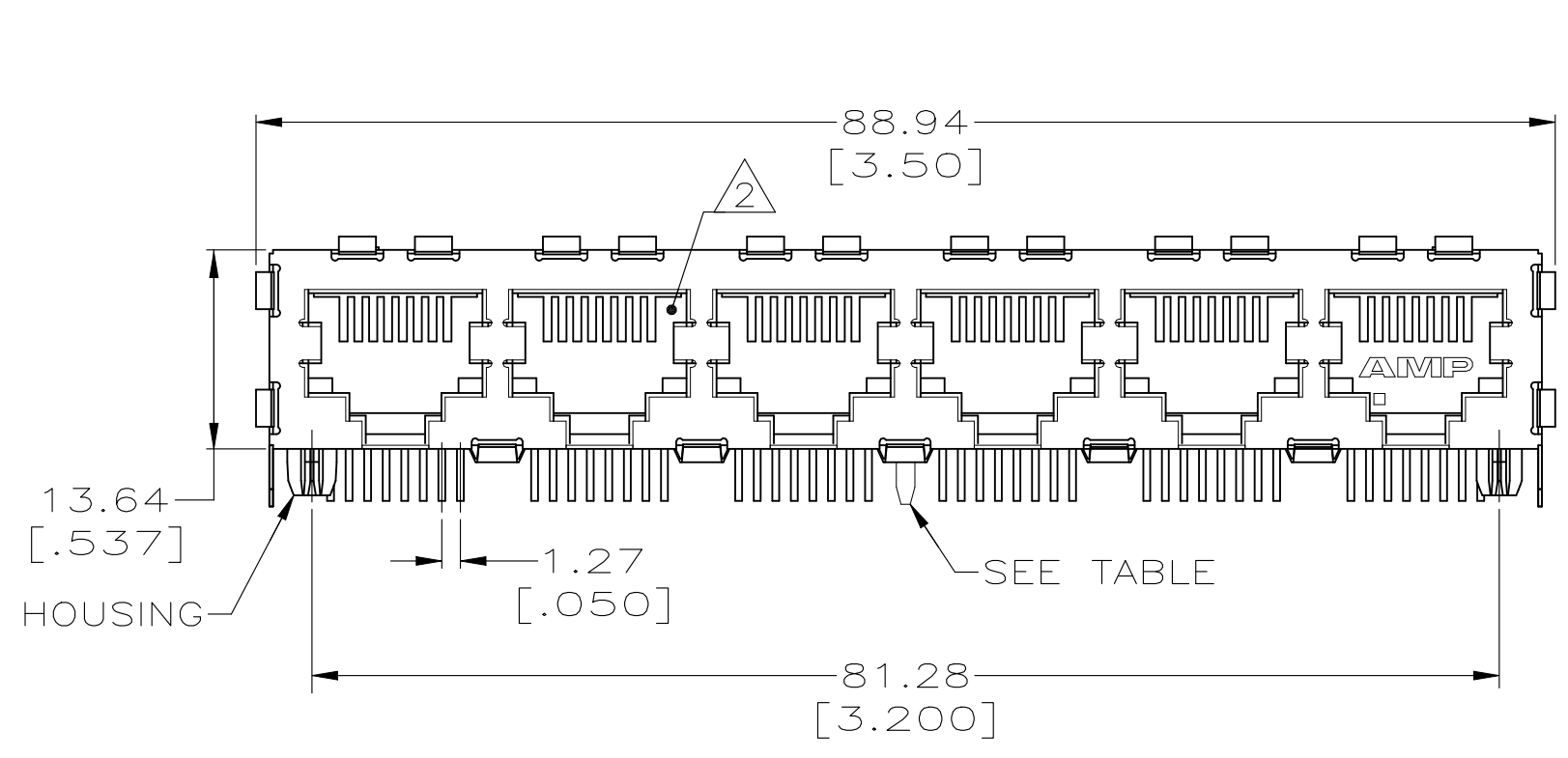
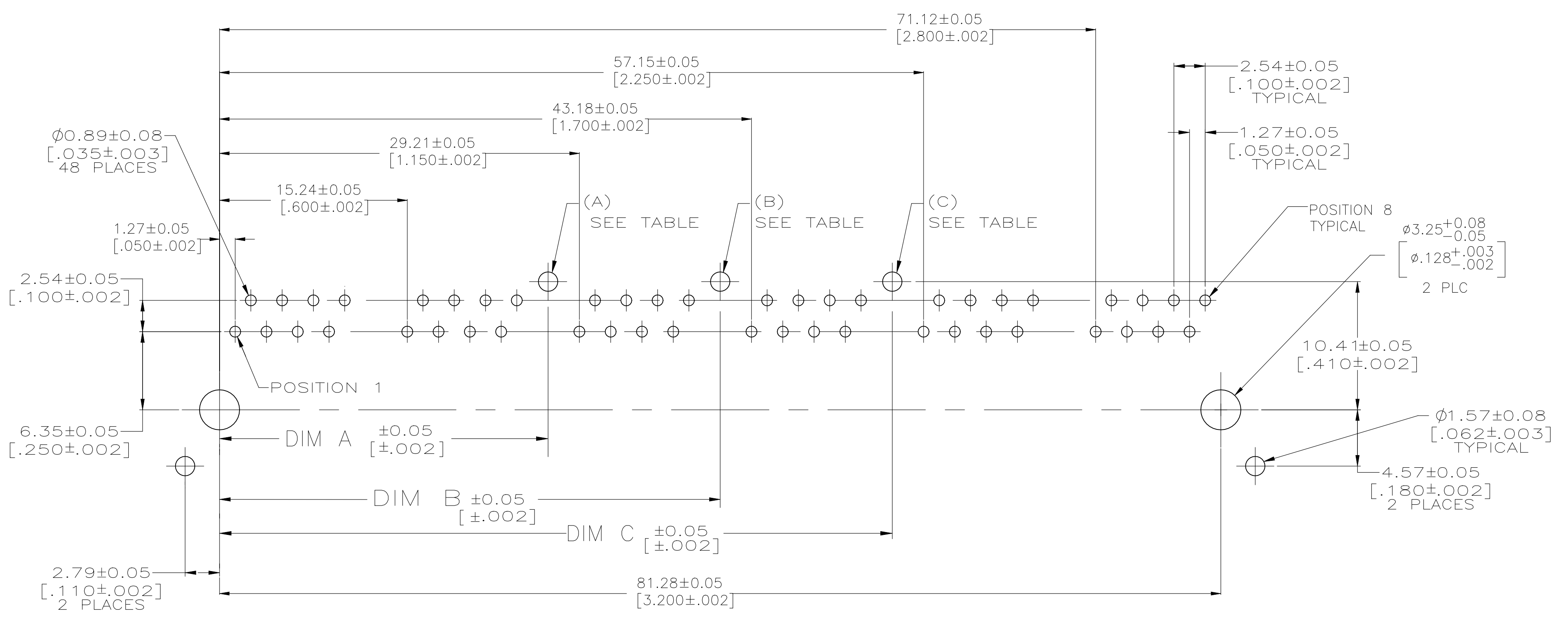


REVISIONS					
REV	DESCRIPTION	DATE	BY	APPV	
E1	ECR-19-014657	13DEC2020	RR	SZ	



- △ MATERIAL: HOUSING - NYLON, BLACK, UL 94V-0. OVERMOLDED TERMINAL ARRAY - PBT, BROWN. TERMINALS - 0.33[.013] THICK PHOS BRONZE PLATED WITH 1.27 μm[.000050] MINIMUM HARD GOLD IN LOCALIZED AREA AND 3.81 μm[.000150] MINIMUM MATTE TIN IN SOLDER AREA OVER 1.27 μm[.000050] MINIMUM NICKEL UNDERPLATE. SHIELDS - 0.25 [.010] THICK COPPER ALLOY PLATED WITH 1.27 μm[.000050] MINIMUM NICKEL AND 2.03 μm[.000080] MINIMUM HOT TIN DIP ON PCB GROUND TABS.
- △ JACK CAVITY CONFORMS TO FCC RULES AND REGULATIONS, PART 68 SUBPART F.
- △ OBSOLETE PARTS: OBSOLETE CIS STREAMLINING PER D.RENAUD/D.SINISI
- △ ENLARGED THE DISTANCE BETWEEN THE CONTACTS AND SHIELD
- △ MATERIAL: HOUSING - NYLON, BLACK, UL 94V-0. OVERMOLDED TERMINAL ARRAY - PBT, BROWN. TERMINALS - 0.33[.013] THICK PHOS BRONZE PLATED WITH 0.76 μm[.000030] MINIMUM HARD GOLD IN LOCALIZED AREA AND 3.81 μm[.000150] MINIMUM MATTE TIN IN SOLDER AREA OVER 1.27 μm[.000050] MINIMUM NICKEL UNDERPLATE. SHIELDS - 0.25 [.010] THICK COPPER ALLOY PLATED WITH 1.27 μm[.000050] MINIMUM NICKEL AND 2.03 μm[.000080] MINIMUM HOT TIN DIP ON PCB GROUND TABS.



RECOMMENDED PC BOARD LAYOUT  
COMPONENT SIDE (TOP)  
SCALE 4:1

REV	DESCRIPTION	DATE	BY	APPV	PART NO	
3	OBSOLETE	3.56 [.140]	NA	NA	5406206-4	
		3.56 [.140]	26.67[1.050]	40.64 [1.600]	54.61[2.150]	
		3.56 [.140]	NA	40.64 [1.600]	NA	
		3.56 [.140]	NA	NA	NA	
					3	
					1	
					NONE	
					5406206-1	
	MATERIAL	DIM Z	DIM A	DIM B	DIM C	NUMBER OR REAR PCB SHIELD GROUND TABS

THIS DRAWING IS A CONTROLLED DOCUMENT.

DIMENSIONS: mm [INCHES]	TOLERANCES UNLESS OTHERWISE SPECIFIED:	DIN T. SPRINKLE/L.A. MAYER 25MAY2005	TE Connectivity
0 PLC ± -	1 PLC ± -	2 PLC ± 0.25[.01]	3 PLC ± 0.13[.005]
4 PLC ± -	ANGLES ± -	APVD J.WESTMAN 25MAY2005	NAME S.FLICKINGER
MATERIAL SEE NOTE 1	FINISH SEE NOTE 1	PRODUCT SPEC 108-1163-2	APPLICATION SPEC 114-2048
		WEIGHT 0.000000	SIZE 114-2048
		CUSTOMER DRAWING	SCALE 2:1 SHEET 1 OF 1 REV E1

单击下面可查看定价，库存，交付和生命周期等信息

[>>TE Connectivity\(泰科\)](#)