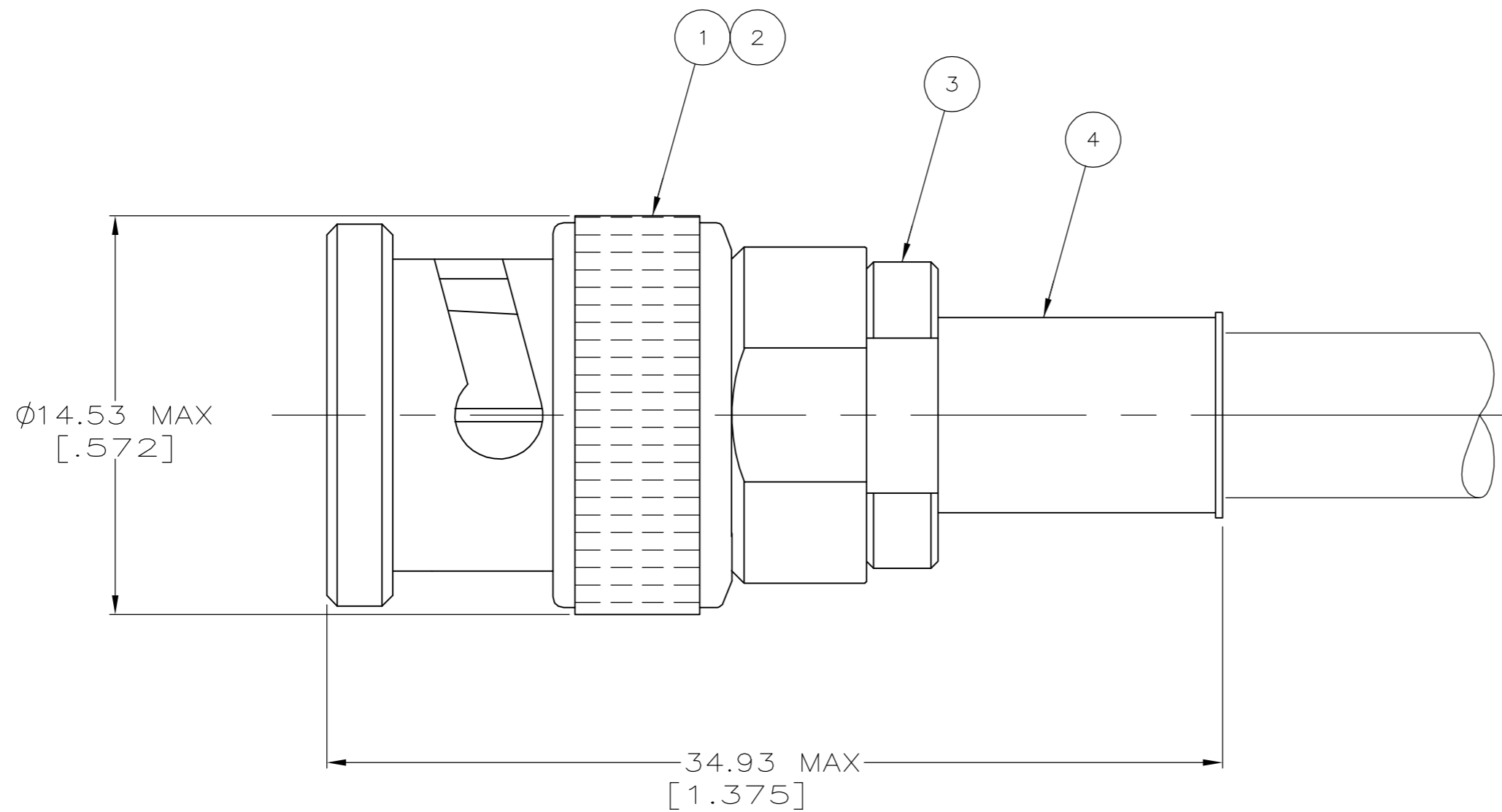
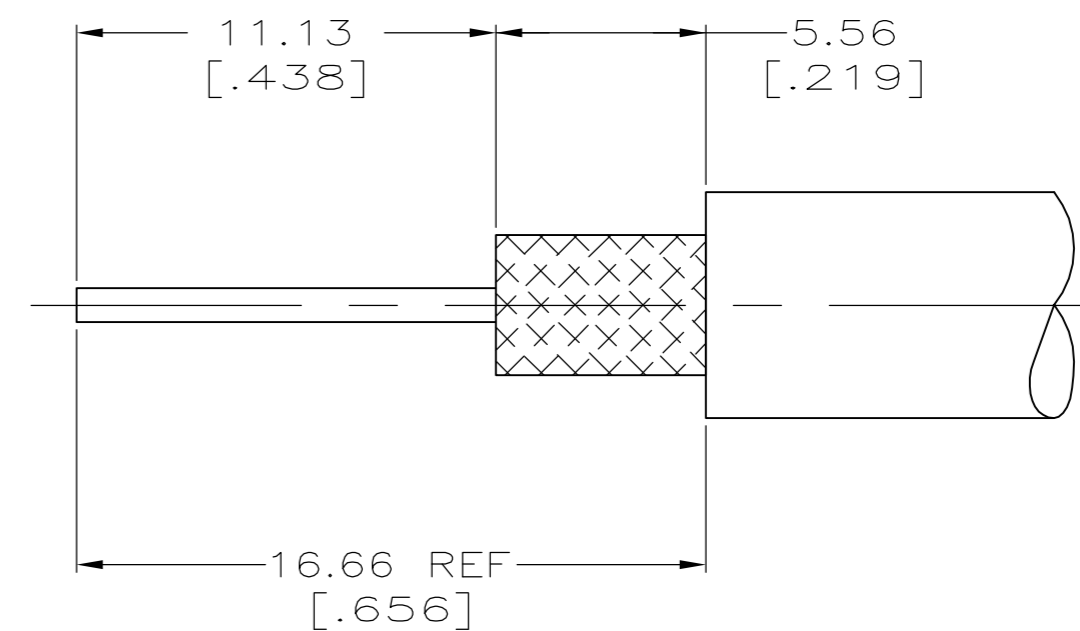


THIS DRAWING IS UNPUBLISHED. RELEASED FOR PUBLICATION
 © COPYRIGHT BY TYCO ELECTRONICS CORPORATION. ALL RIGHTS RESERVED.

LOC	DIST	REVISIONS			
P	LTR	DESCRIPTION	DATE	DWN	APVD
AJ	16	A	REV PER ECO 06-002539	06APR06	GB JH



- 1. FOR CABLE: RG-59/U, 59A/U, 59B/U, 62/U, 62A/U, 62B/U, 124/U, 140/U, 210/U
- 2. USE INSTRUCTION SHEET 408-1799-1



RECOMMENDED STRIP LENGTH
NO SCALE

1	69141-1	9-329041-0	9-50780-1	2-329106-1	9-329804-0	2-5329445-1
CABLE	CRIMP TOOL	4 FERRULE QTY=1	3 CRIMP END ASSEMBLY QTY=1	2 GASKET QTY=1	1 PLUG ASSEMBLY QTY=1	PART NUMBER

THIS DRAWING IS A CONTROLLED DOCUMENT.

DWN	J. HAVENER	16SEP2005	Tyco Electronics Corporation Harrisburg, PA 17105-3608			
CHK	J. HAVENER	16SEP2005				
APVD	J. LIPPERT	16SEP2005				
NAME	PLUG, BNC					
DIMENSIONS:	TOLERANCES UNLESS OTHERWISE SPECIFIED:		SIZE	CAGE CODE	DRAWING NO	RESTRICTED TO
INCHES	0 PLC ± - 1 PLC ± - 2 PLC ± 0.41 [.016] 3 PLC ± - 4 PLC ± - ANGLES ± - FINISH -		A2	00779	C=5329445	-
MATERIAL	FINISH		WEIGHT	SCALE 5:1		SHEET 1 of 1
CUSTOMER DRAWING			REV A			

329445
5329445

单击下面可查看定价，库存，交付和生命周期等信息

[>>TE Connectivity\(泰科\)](#)