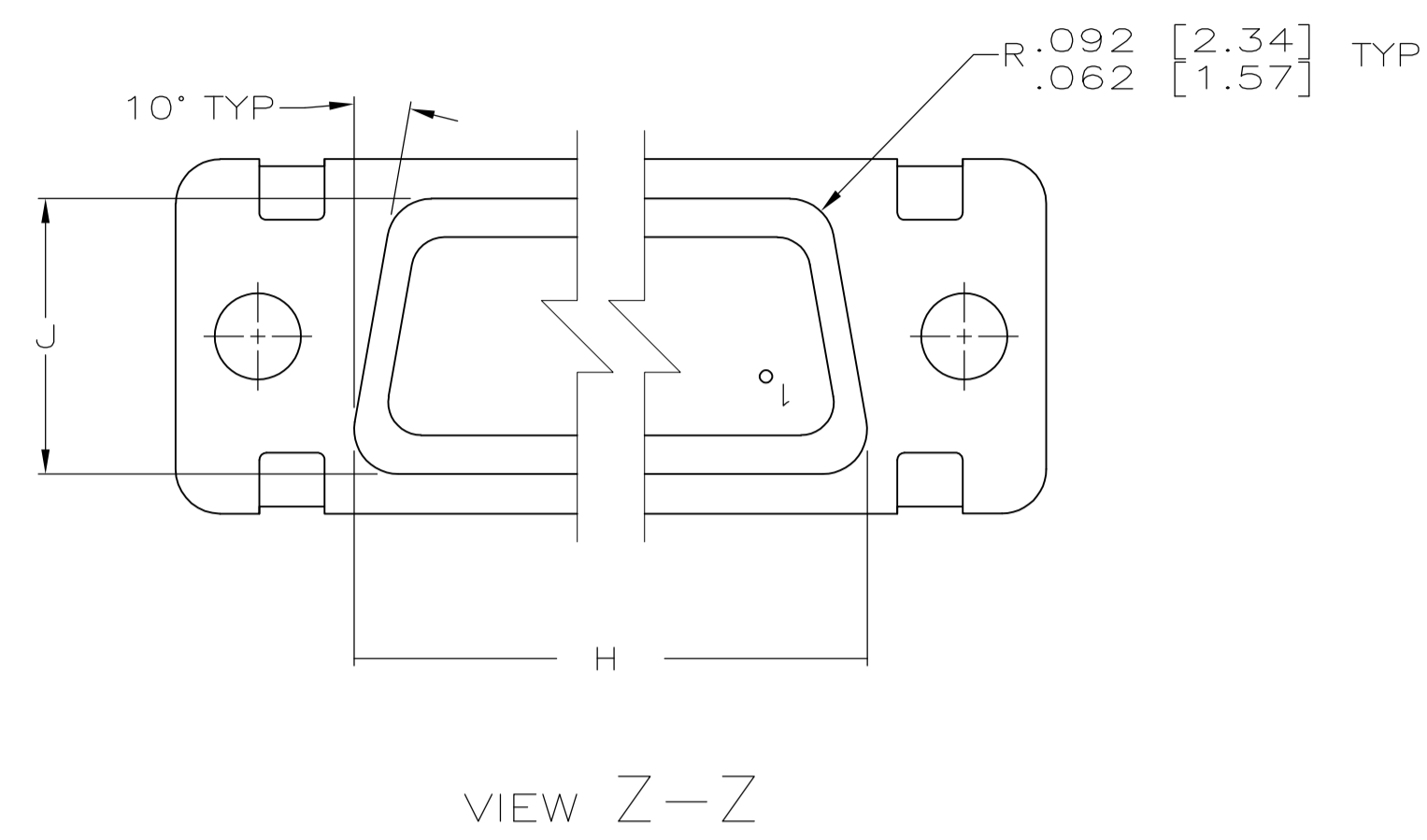
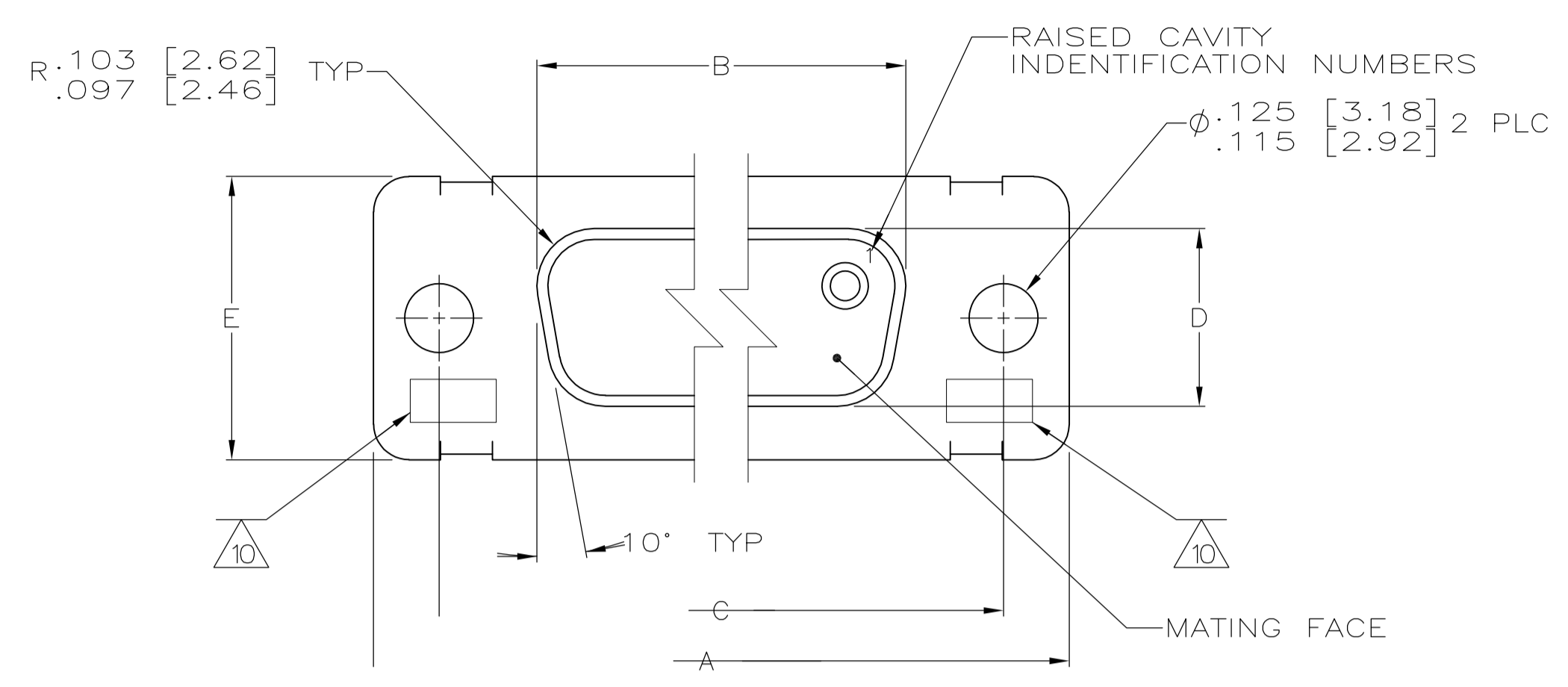
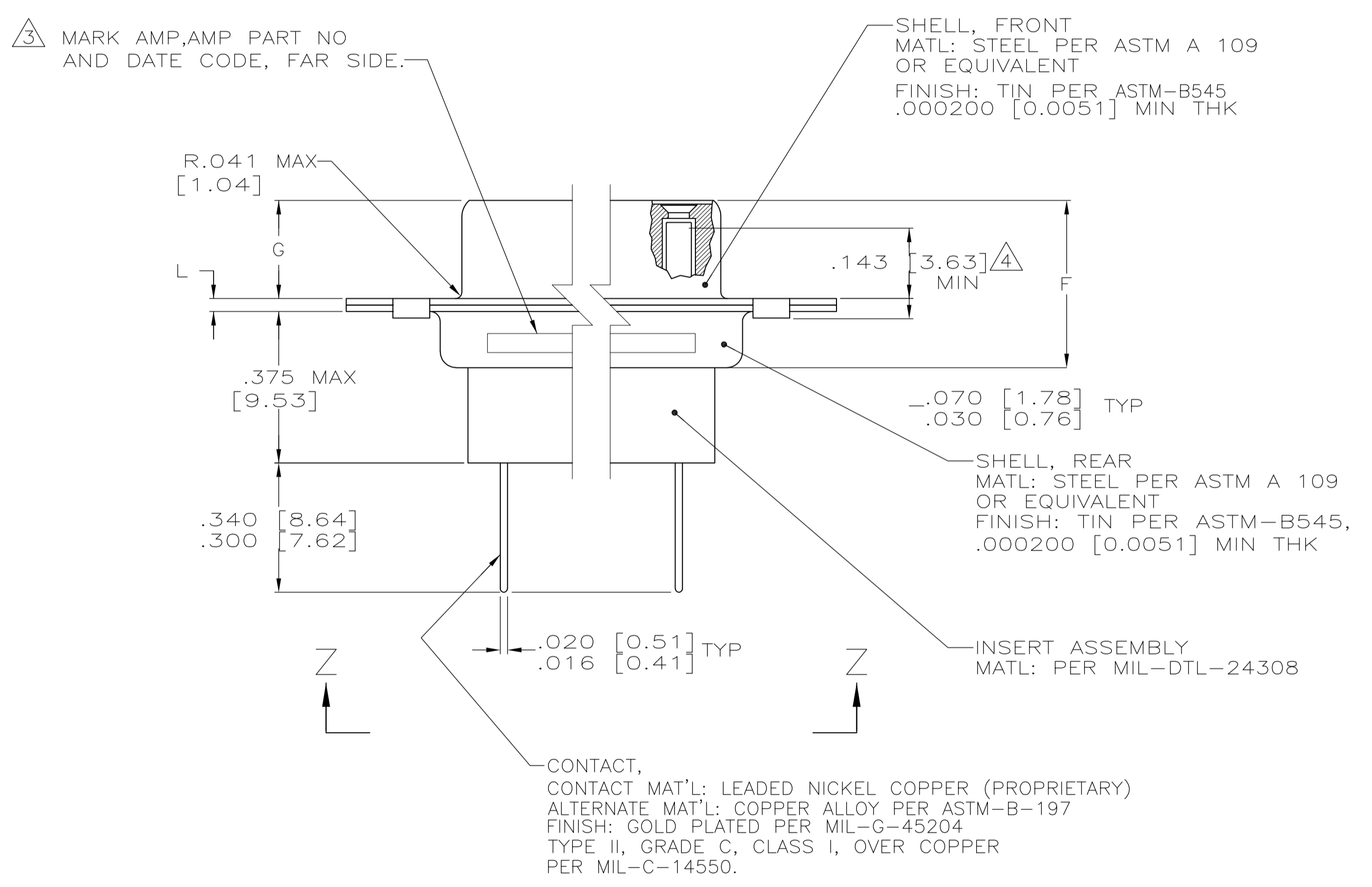


LOC		DIST		REVISIONS			
P	LTR	DESCRIPTION	DATE	DMN	APVD		
C		REVISED PER ECO-15-005914	28MAY15	KG	DM		



- SEE SHEET 2 FOR RECOMMENDED P.C. BOARD LAYOUT. TRUE POSITION TOLERANCE FOR P.C. BOARD LAYOUT IS .010 [0.25] AT MAX MATERIAL CONDITION.
- THIS CONNECTOR ASSEMBLY IS SUPPLIED WITH STAINLESS STEEL CONTACT RETENTION CLIPS INSTALLED IN THE INSERT ASSEMBLY.
- MARK WITH .047 [1.19]-.062 [1.57] HIGH CHARACTERS. FAR SIDE REFERS TO THE WIDE SIDE OF THE KEYSTONE. IF THE REAR SHELL IS TOO SMALL FOR THE ENTIRE MARKING REQUIREMENT, MARKING SHALL BE LOCATED AS FOLLOWS:
 A. "TE" AND DATE CODE ON FRONT SHELL, FAR SIDE.
 B. TE PART NUMBER ON REAR SHELL, FAR SIDE.
- POINT OF ELECTRICAL ENGAGEMENT - AS MEASURED WITH A .039 [0.99] - .041 [1.04] DIAMETER SQUARE ENDED TEST PIN.
- FOR REPLACEMENT CONTACTS ORDER TE PART NUMBER 1-208778-0.
- FOR CONTACT INSTALLATION AND REMOVAL TOOL ORDER TE PART NUMBER 91067-2.
- THE CONNECTORS DESCRIBED IN THIS DOCUMENT MEET THE REQUIREMENTS OF MIL-C-24308 AND MATE WITH ANY PLUG CONNECTOR WITH THE SAME INSERT ARRANGEMENT.
- DIMENSIONS AND TOLERANCES PER ANSI Y14.5M-1982.
- THIS DRAWING SHALL BE INTERPRETED IN ACCORDANCE WITH APPLICABLE STANDARDS LISTED IN MIL-STD-100.
- UL/CSA DESIGNATION STAMPED IN THIS AREA, OPTIONAL.



.040 [1.02]	.432 [10.97]	2.282 [57.96] 2.262 [57.45]	.248 [6.30]	.439 [11.15]	.509 [12.93]	.316 [8.03]	2.505 [63.63] 2.495 [63.37]	2.164 [54.97] 2.154 [54.71]	2.744 [69.70] 2.714 [68.94]	MS18276-1	37	4	448689-4	448689-4
.020 [0.51]	.412 [10.46]	1.093 [27.76] 1.073 [27.25]	.238 [6.05]	.419 [10.64]	.479 [12.17]	.306 [7.77]	1.317 [33.45] 1.307 [33.20]	.976 [24.79] .966 [24.54]	1.556 [39.52] 1.526 [38.76]	MS18274-1	15	2	448689-2	448689-2
		.769 [19.53] .749 [19.02]					.989 [25.12] .979 [24.87]	.648 [16.46] .638 [16.21]	1.228 [31.19] 1.198 [30.43]	MS18273-1	9	1	448689-1	448689-1
L	J	H	G	F	E	D	C	B	A	INSERT ARRANGEMENT	NO OF POS	SHELL SIZE	TE P/N ON CONNECTOR	PART NUMBER

THIS DRAWING IS A CONTROLLED DOCUMENT.

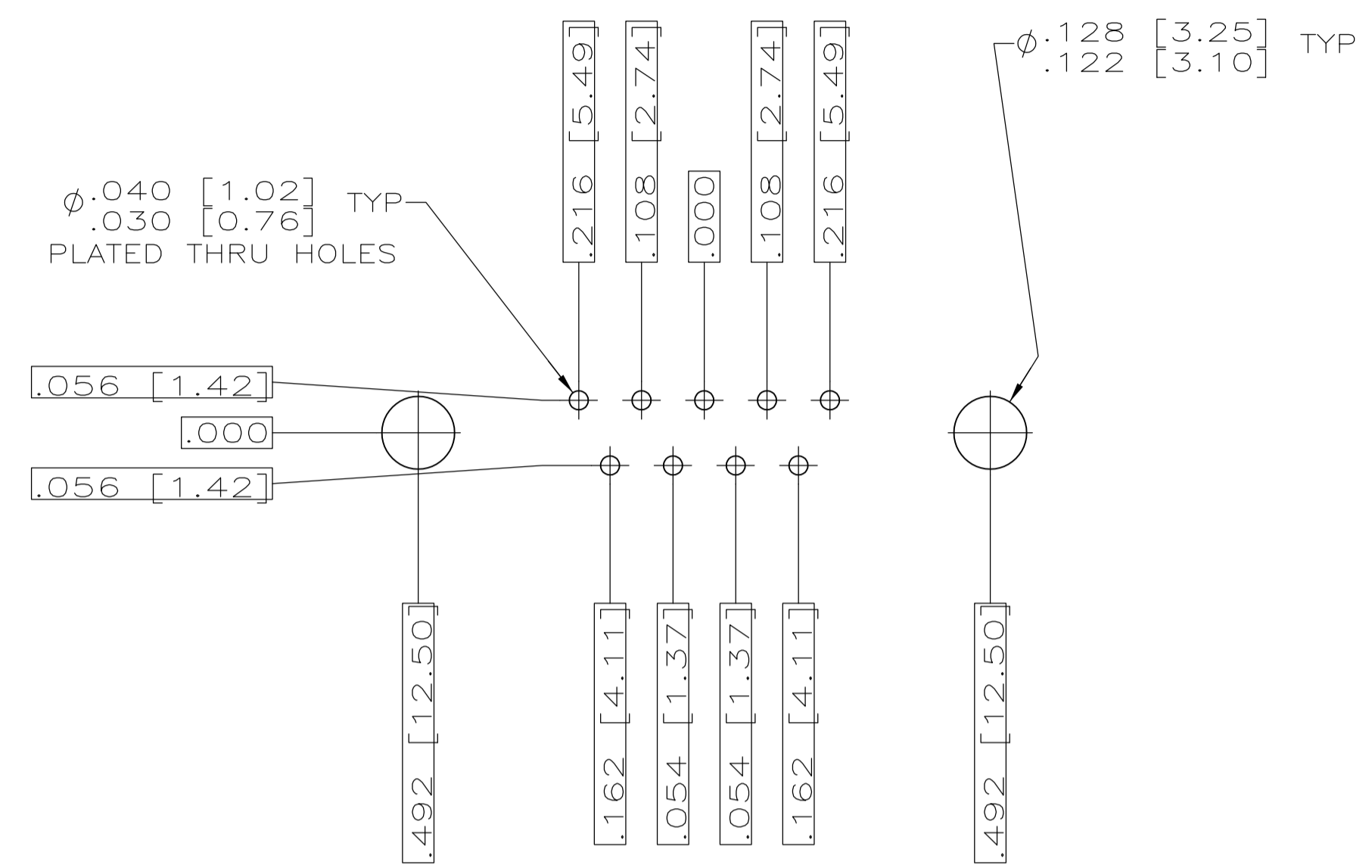
DIMENSIONS: INCHES	TOLERANCES UNLESS OTHERWISE SPECIFIED:	APPROVED: R. GILLMAN	DATE: 03AUG93
0 PLC ± -	1 PLC ± -	2 PLC ± -	3 PLC ± -
4 PLC ± -	ANGLES ± -	FINISH: SEE CALLOUTS	WEIGHT: -

AMPLITE RECEPTACLE ASSY WITH SIZE 20 STRAIGHT POSTED, SOCKET CONTACTS. SERIES 109, SHELL SIZES 1, 2, & 4

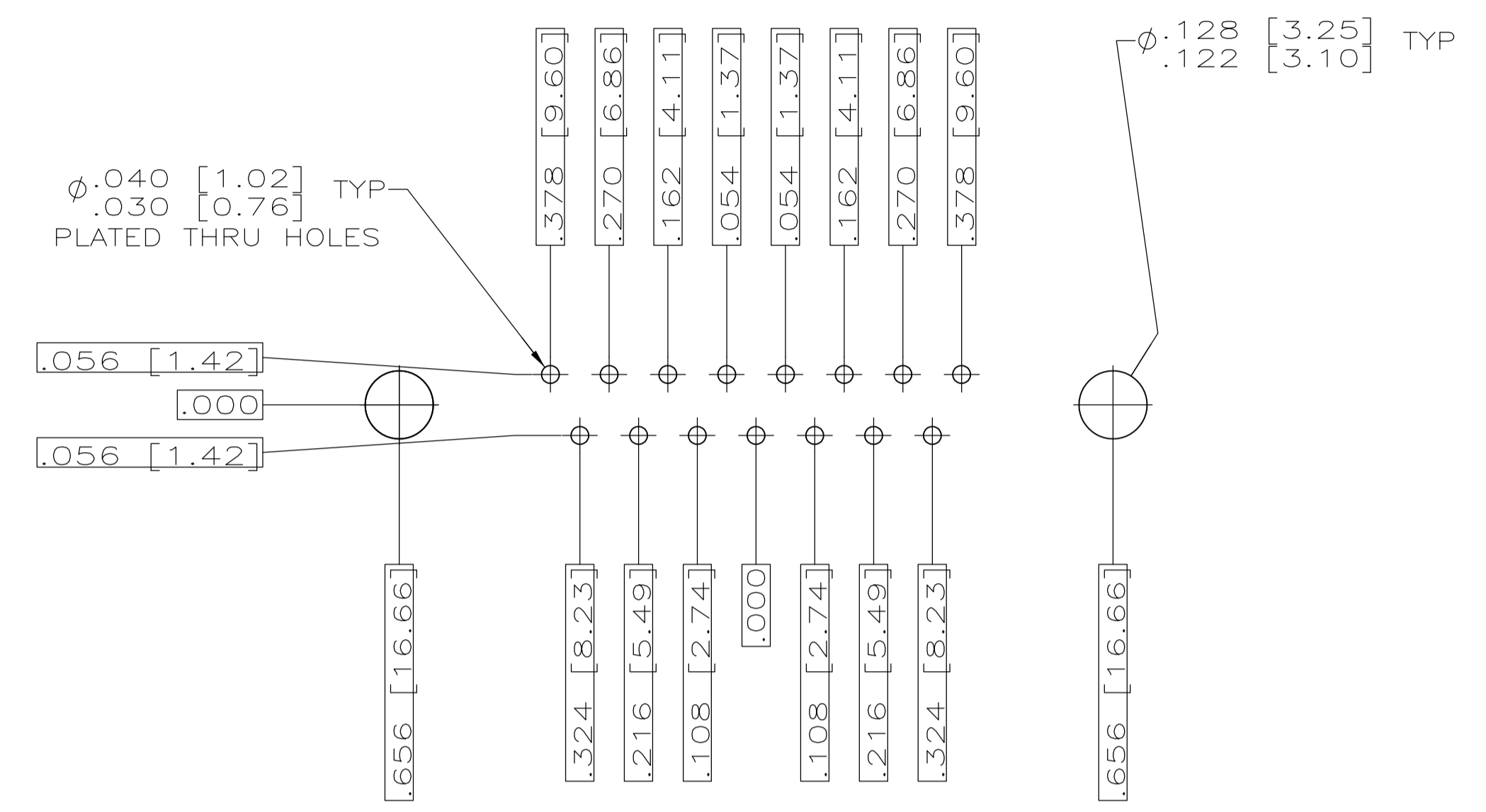
SIZE: A1 CAGE CODE: 00779 DRAWING NO: 448689

CUSTOMER DRAWING SCALE: 4:1 SHEET: 1 OF 2 REV: C

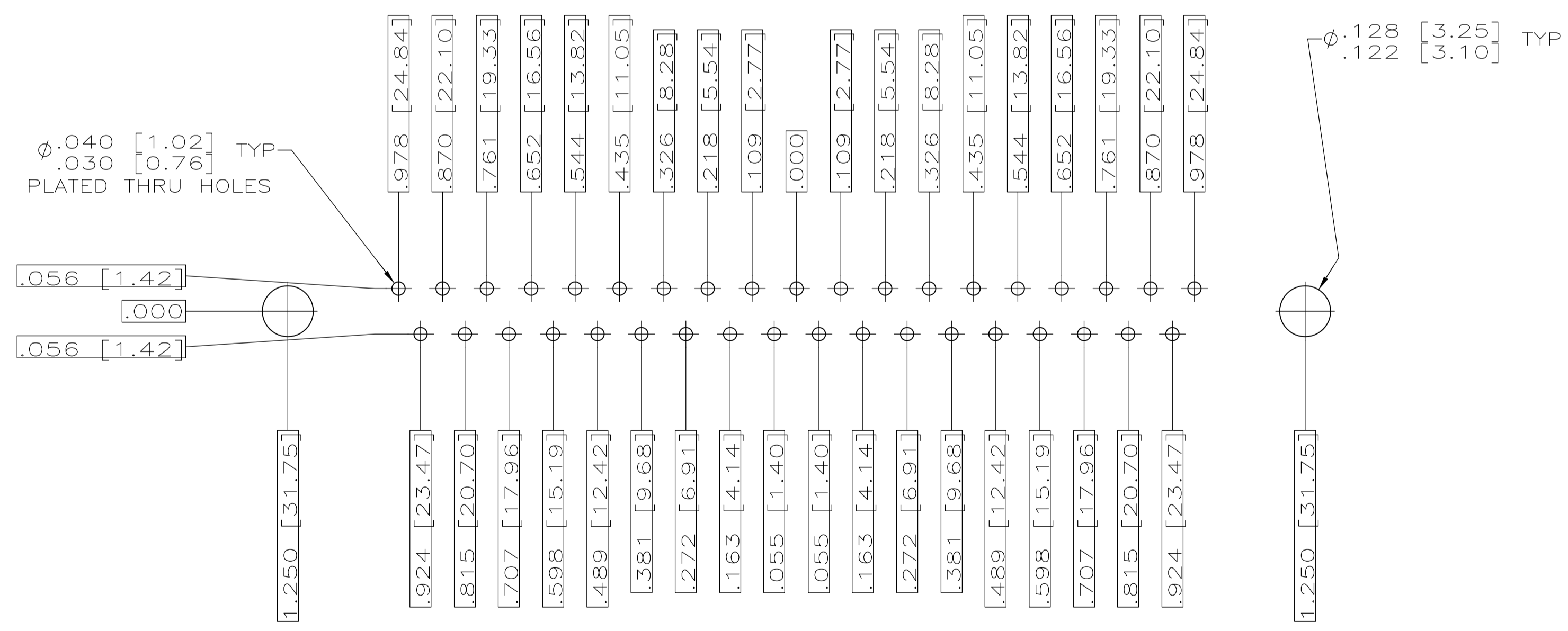
LOC		DIST		REVISIONS			
P	LTR	DESCRIPTION	DATE	DNW	APVD		
-	-	SEE SHEET 1	-	-	-	-	-



RECOMMENDED P.C. BOARD LAYOUT SHELL SIZE 1 (9 POSITION) \triangle



RECOMMENDED P.C. BOARD LAYOUT SHELL SIZE 2 (15 POSITION) \triangle



RECOMMENDED P.C. BOARD LAYOUT SHELL SIZE 4 (37 POSITION) \triangle

THIS DRAWING IS A CONTROLLED DOCUMENT.		DIN AJ GRAFF 03AUG93		TE Connectivity	
DIMENSIONS: INCHES		CHK R. GILLMAN 03AUG93			
TOLERANCES UNLESS OTHERWISE SPECIFIED:		APVD		NAME	
0 PLC ± .005 1 PLC ± .005 2 PLC ± .005 3 PLC ± .005 4 PLC ± .005 ANGLES ± .005		PRODUCT SPEC		AMPLITE RECEPTACLE ASSY WITH SIZE 20 STRAIGHT POSTED, SOCKET CONTACTS, SERIES 109, SHELL SIZES 1, 2, & 4	
MATERIAL SEE CALLOUTS		FINISH SEE CALLOUTS		APPLICATION SPEC	
WEIGHT		SIZE A1		RESTRICTED TO	
CUSTOMER DRAWING		CAGE CODE 00779		DRAWING NO. 448689	
SCALE 4:1		SHEET 2 OF 2		REV C	

单击下面可查看定价，库存，交付和生命周期等信息

[>>TE Connectivity\(泰科\)](#)