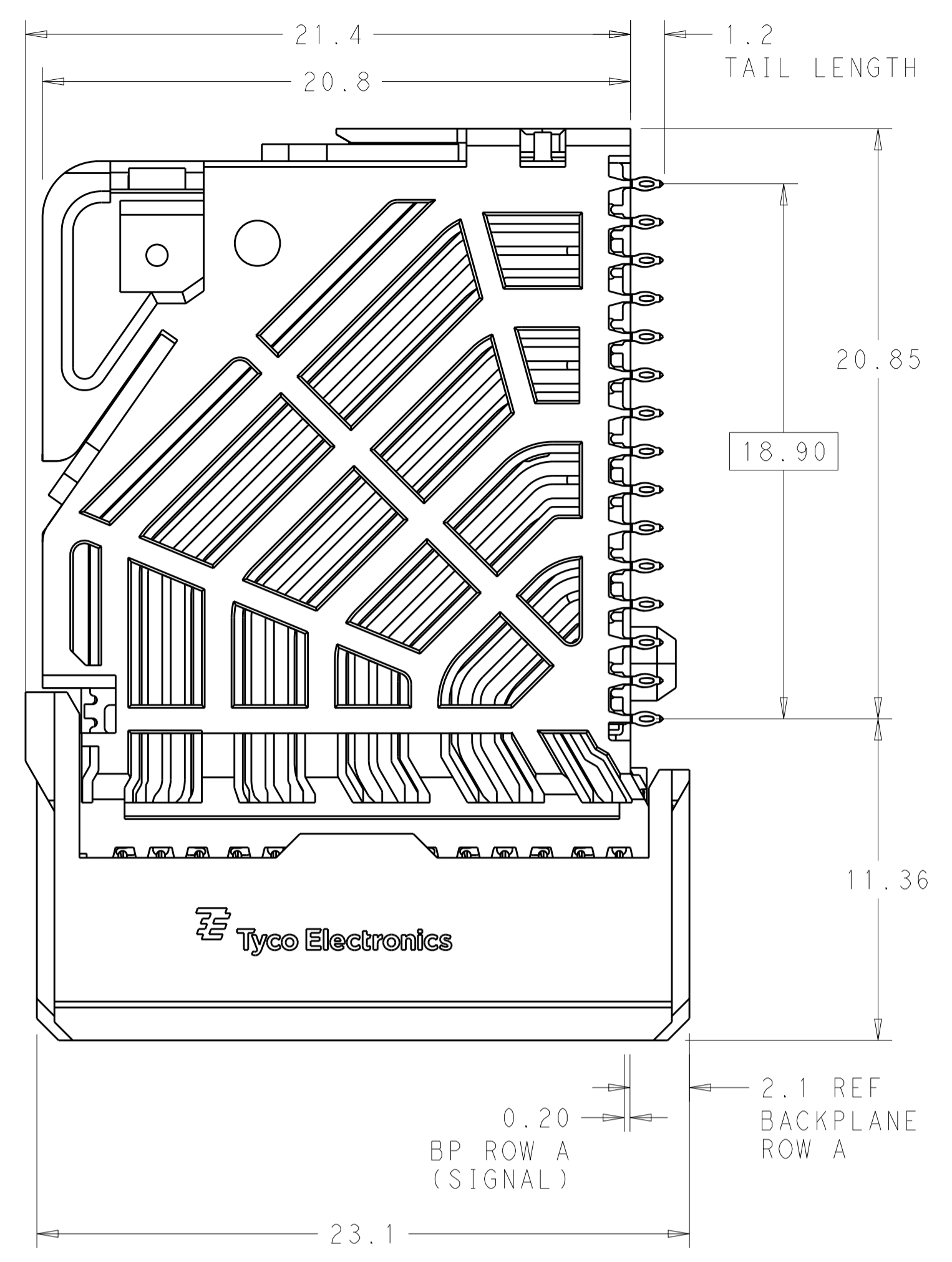
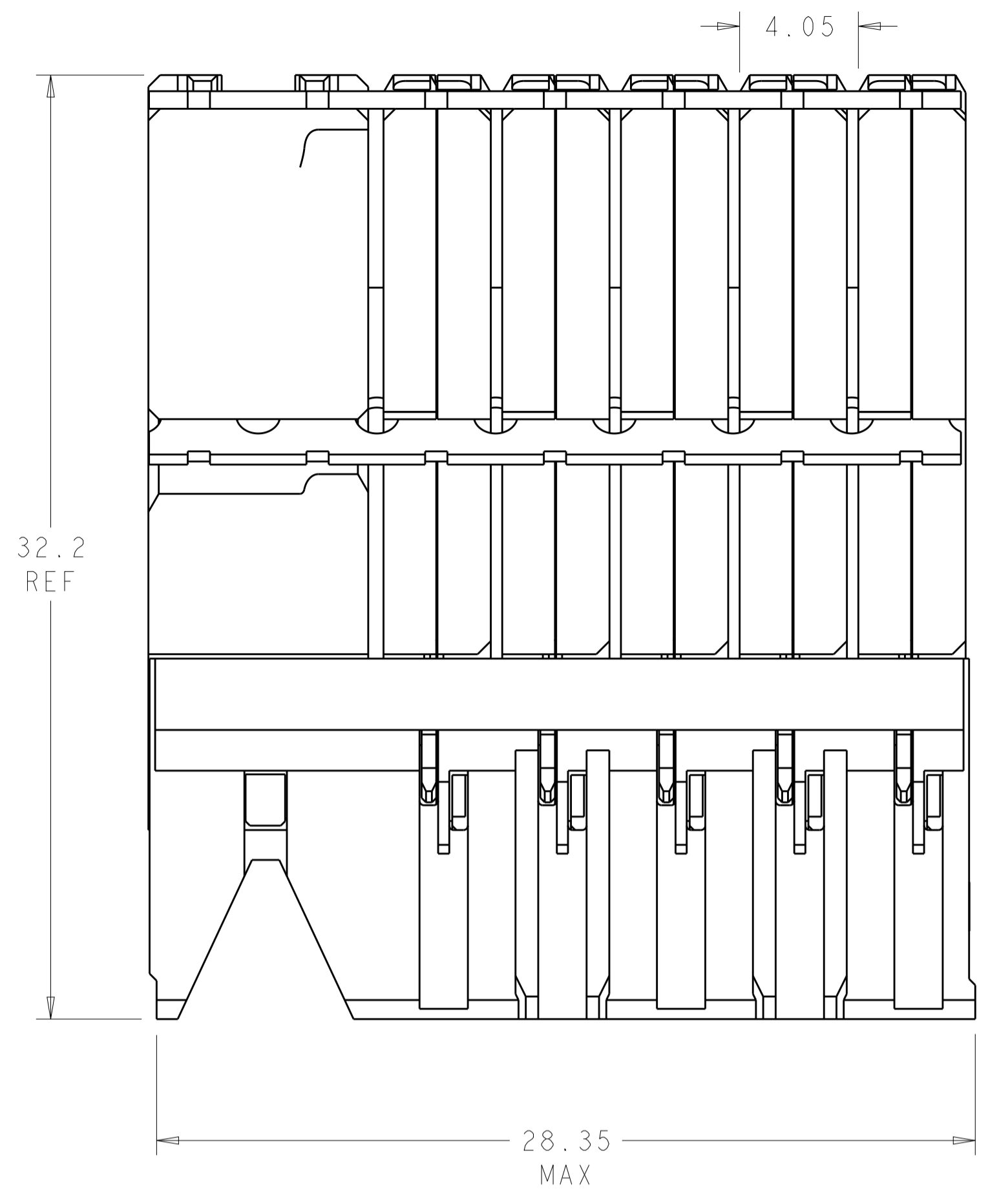


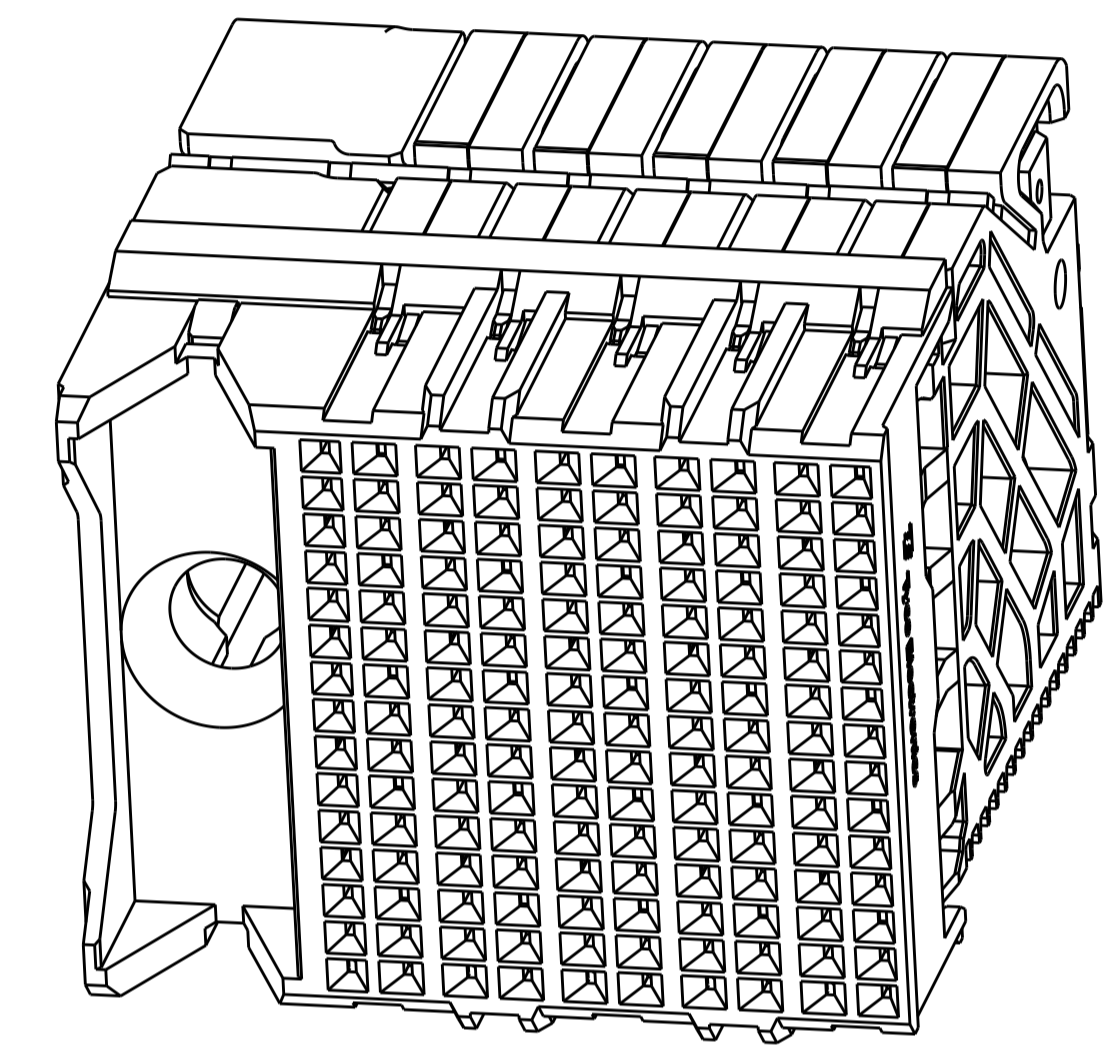
LOC	DIST	REVISIONS					
		P	LTN	DATE	DWN	APVD	
AD	00	C		REVISD PER ECO-15-004915	10APR2015	AP	DD



⚠ MATERIAL:
HOUSING: LCP, GLASS FILLED, UL94V-0.
TERMINALS: HIGH PERFORMANCE COPPER ALLOY.

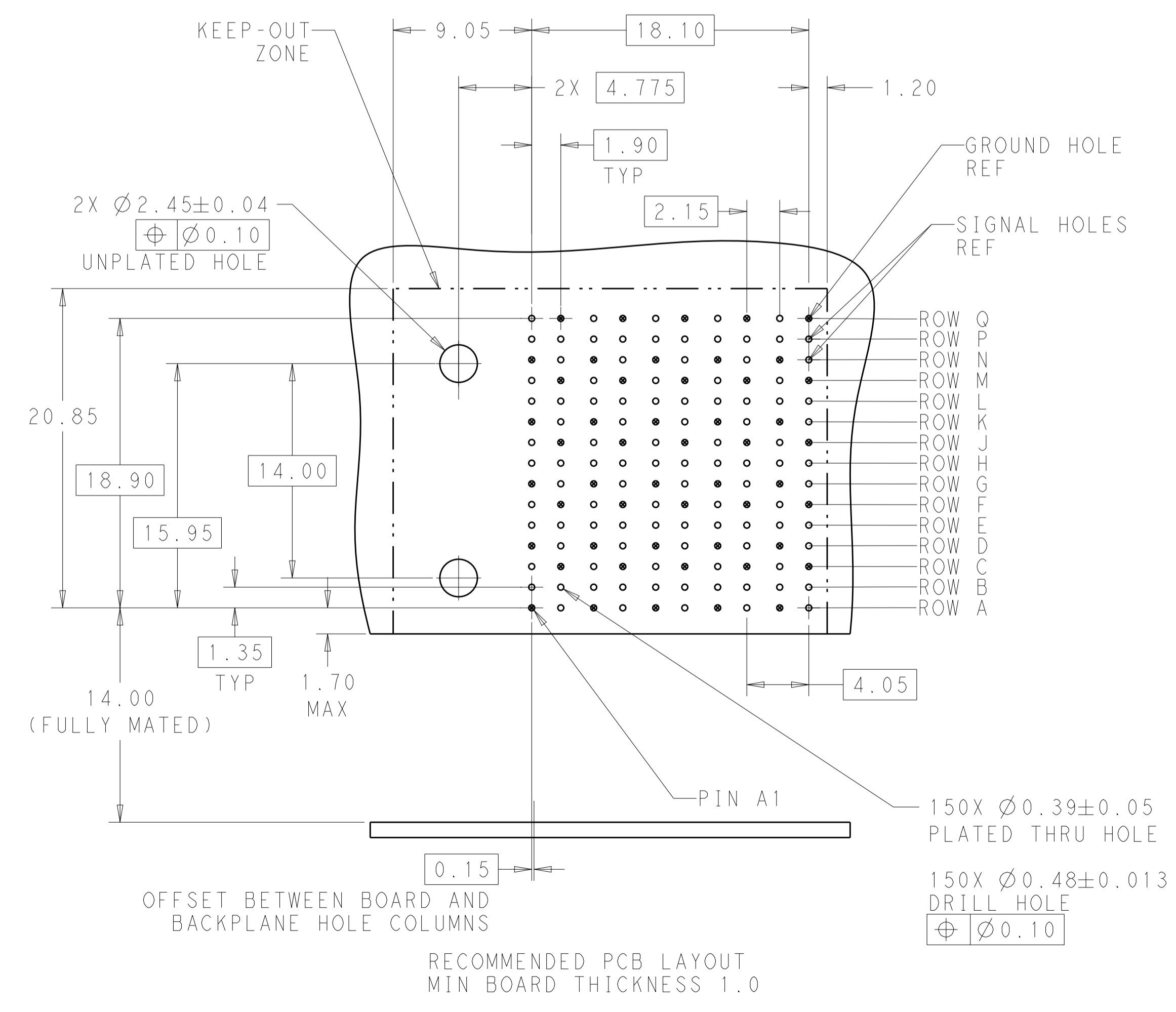
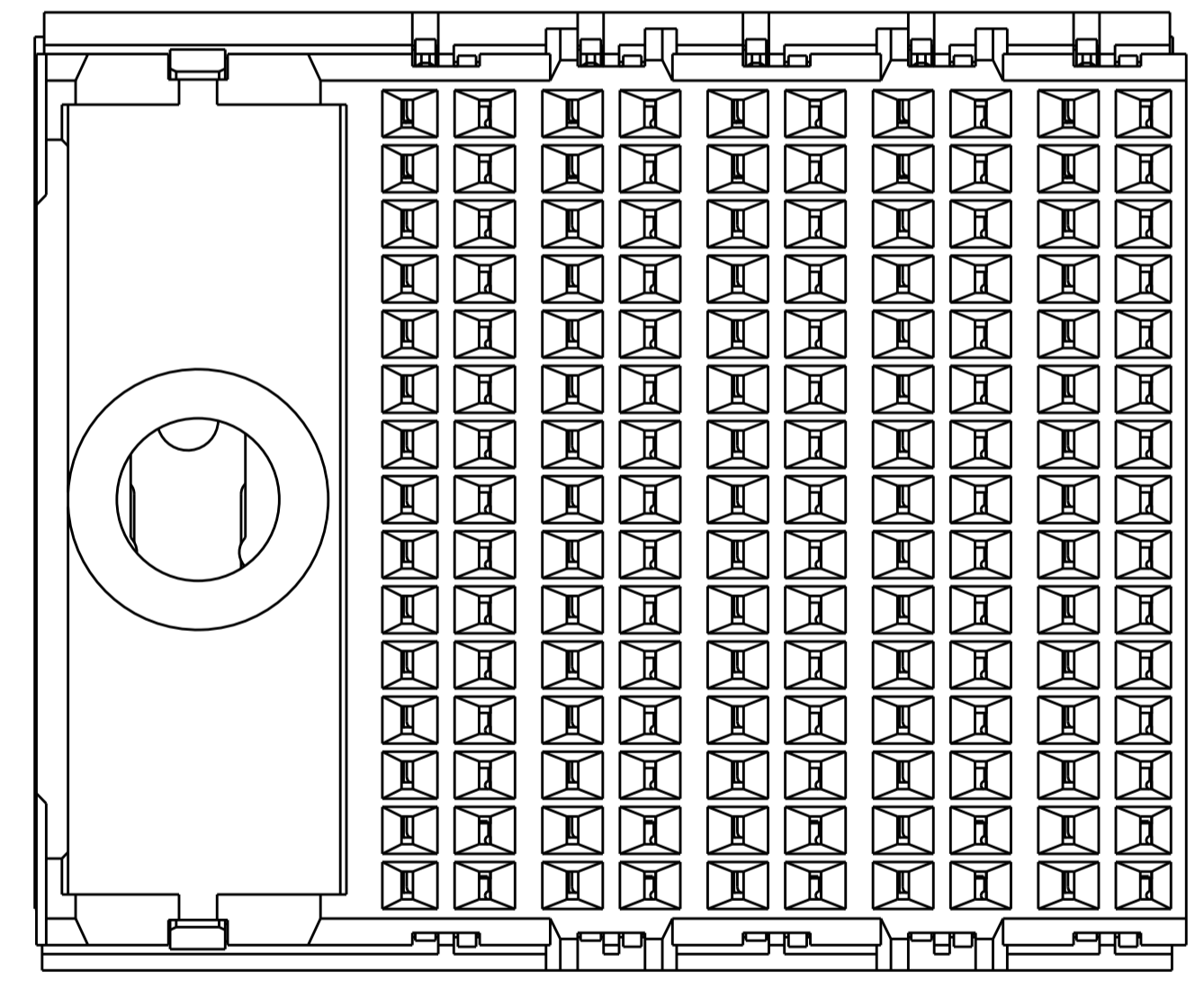
⚠ FINISH:
30µ" SELECTIVE GOLD IN CONTACT AREA. SELECTIVE TIN ON PCB TAILS, NICKEL OVERALL.

3. CONNECTORS SUPPLIED WITH MOUNTING SCREWS.



SCALE 4:1

REFER TO WWW.TE.COM FOR PRODUCT AVAILABILITY



NONE	⚠	2132693-1
KEY POSITION	FINISH	PART NUMBER
STE TE Connectivity		
DWN B. CARBO 08MAR2011 CHK D. DIXON 08MAR2011 APVD D. DIXON 08MAR2011		NAME
DIMENSIONS: mm		PRODUCT SPEC
TOLERANCES UNLESS OTHERWISE SPECIFIED:		APPLICATION SPEC
0 PLC ±	1 PLC ±0.25	SIZE
2 PLC ±0.15	3 PLC ±	CAGE CODE
4 PLC ±	ANGLES ±	DRAWING NO
MATERIAL		RESTRICTED TO
FINISH SEE TABLE		WEIGHT
CUSTOMER DRAWING		SCALE
		SHEET
		OF
		REV

单击下面可查看定价，库存，交付和生命周期等信息

[>>TE Connectivity\(泰科\)](#)