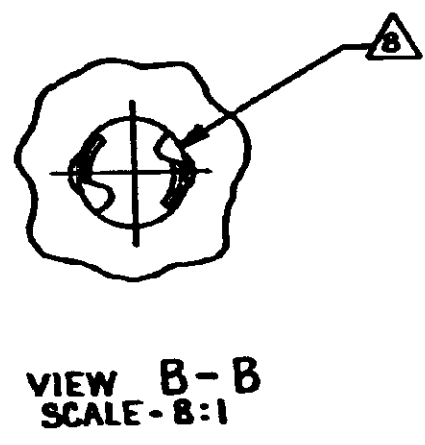
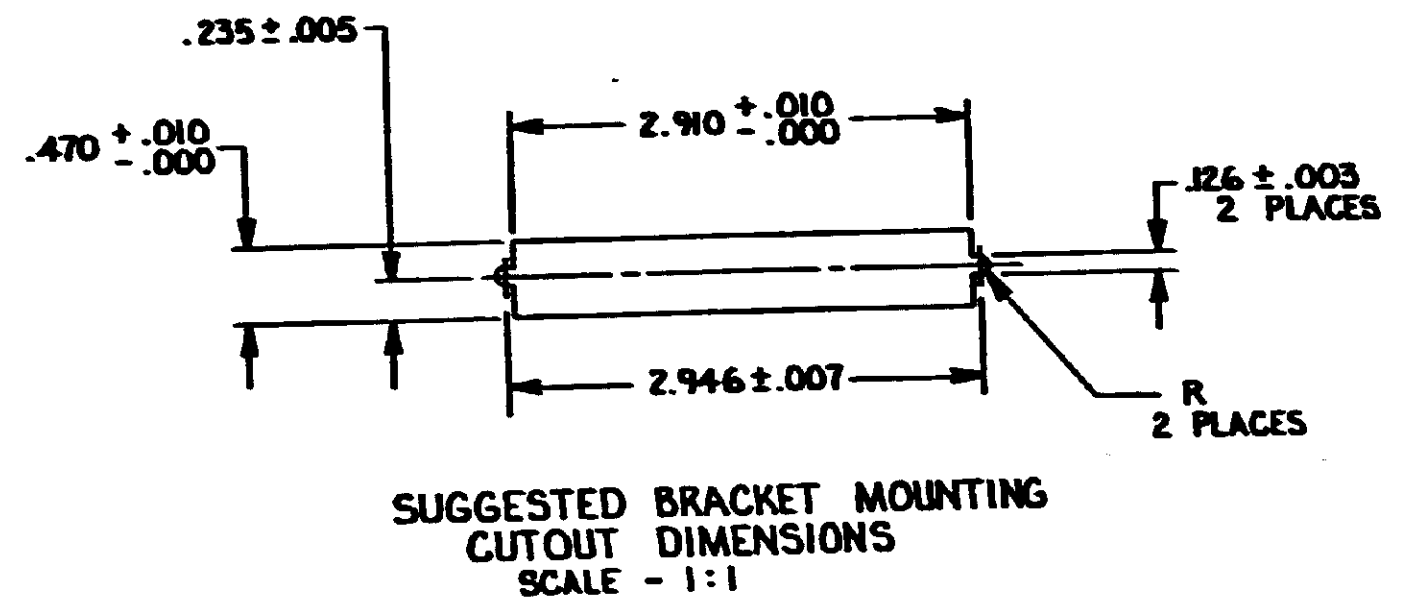
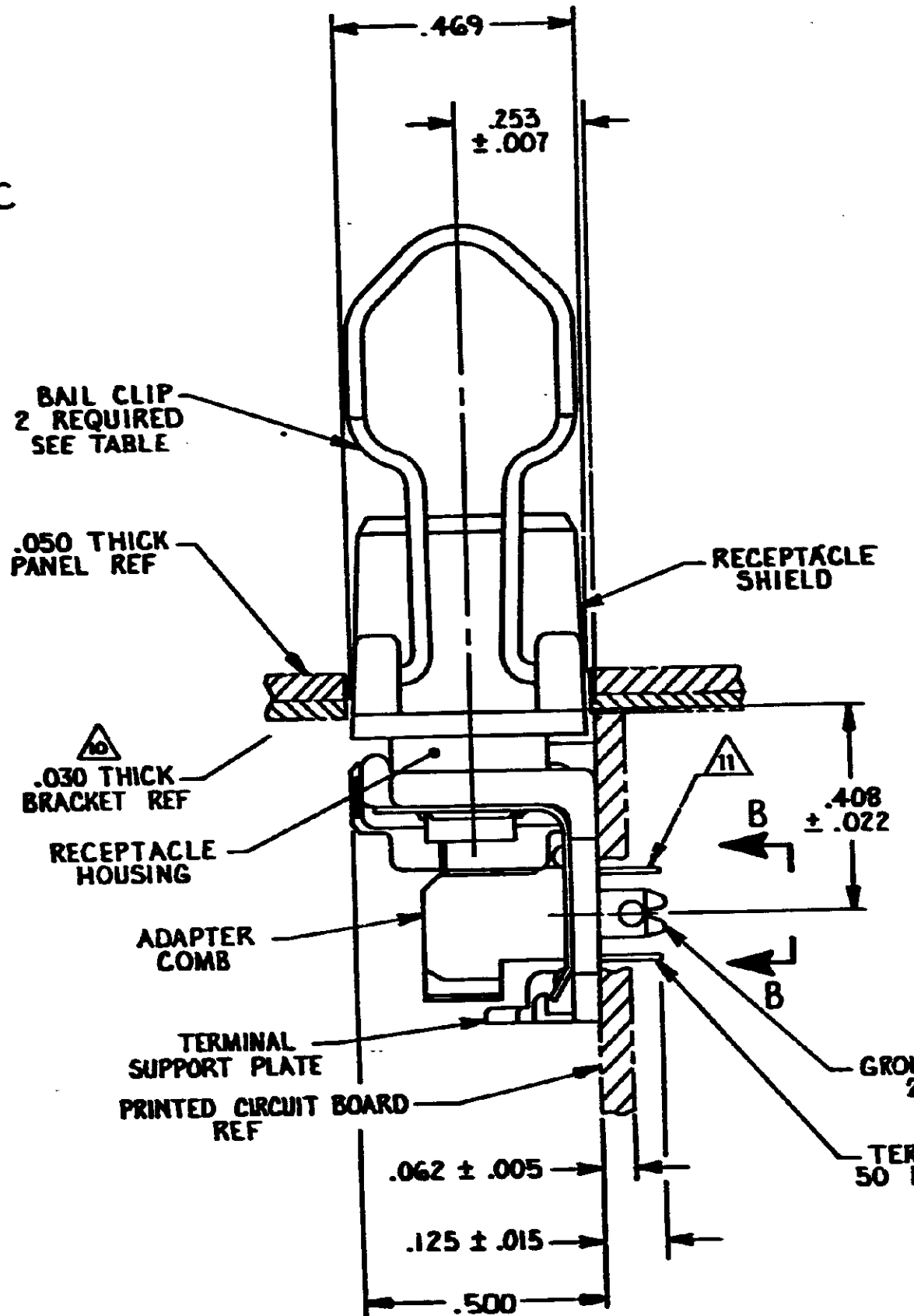
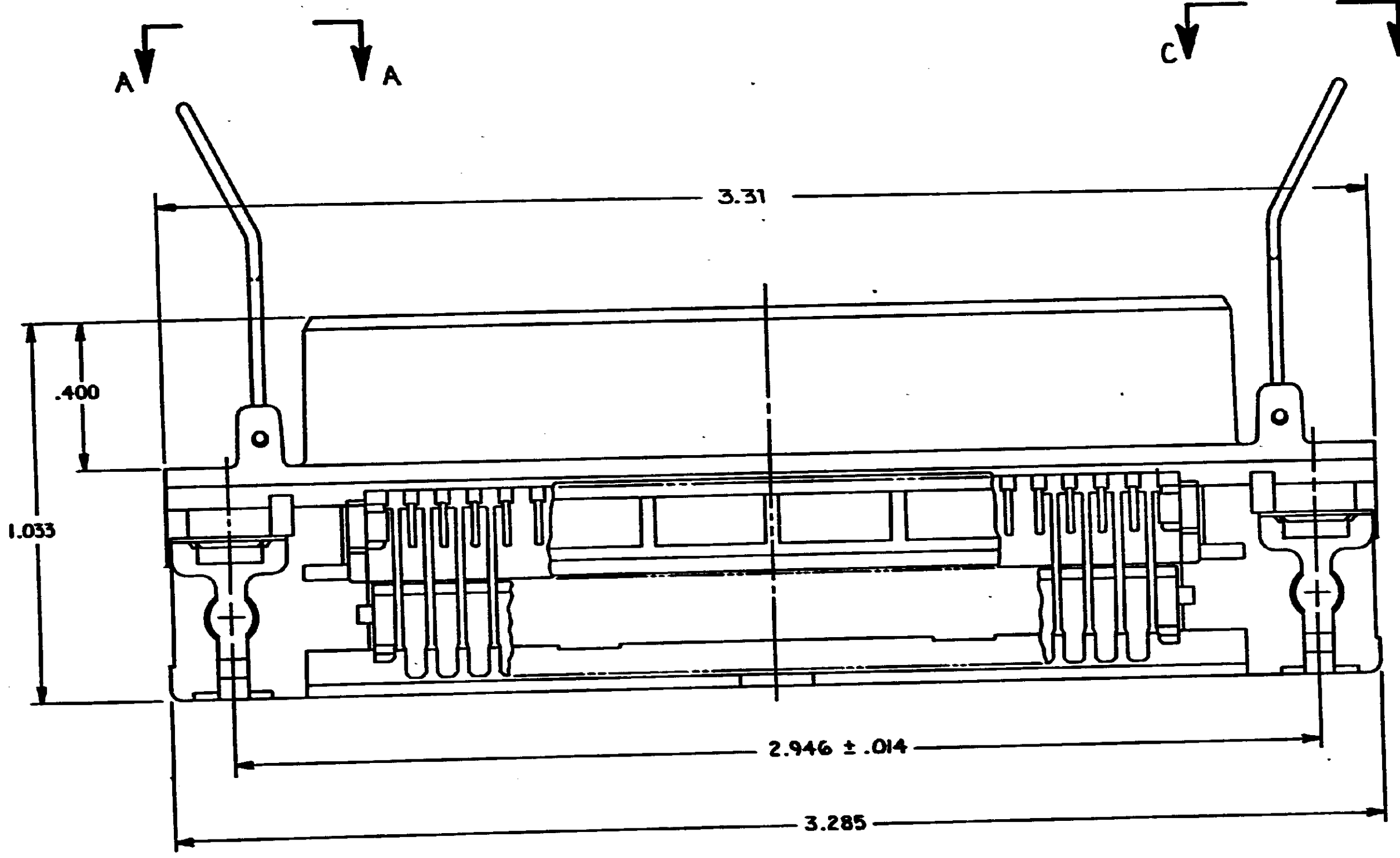
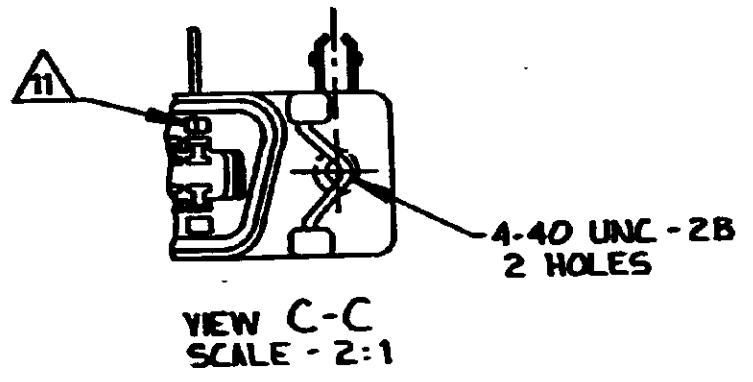
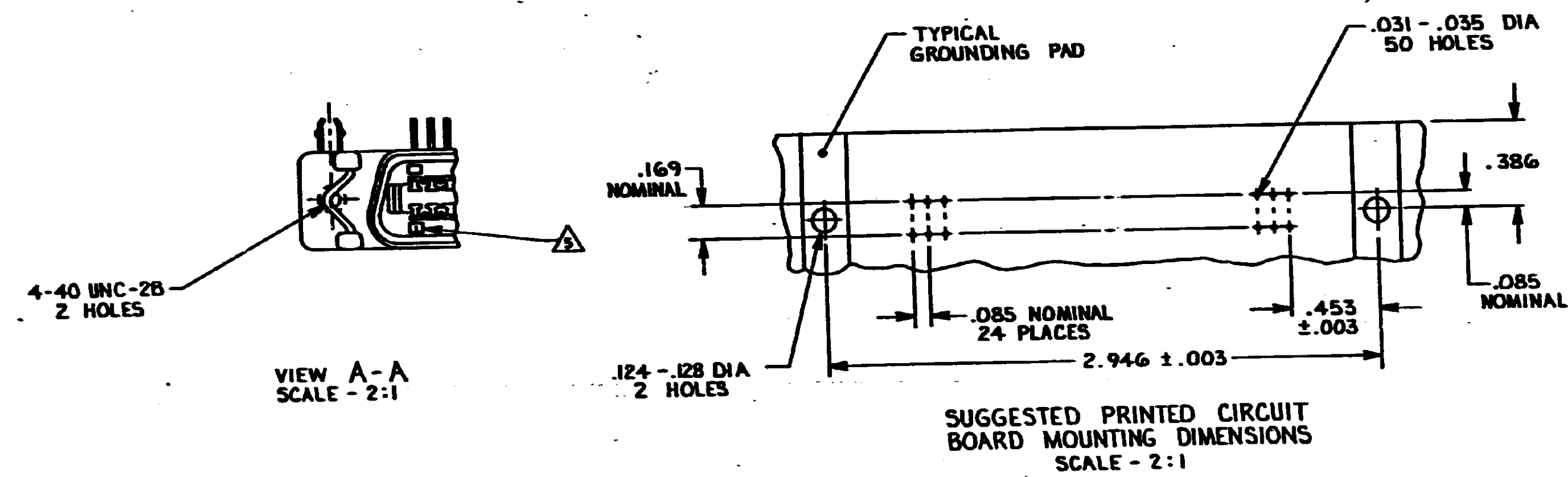


DRAWING MADE IN THIRD ANGLE PROJECTION  
 THIS DRAWING IS UNPUBLISHED. RELEASED FOR PUBLICATION  
 COPYRIGHT IS RESERVED. AMP PRODUCTS MAY BE COVERED BY U.S. AND FOREIGN PATENTS AND/OR PATENTS PENDING.

REVISED		DATE	APPROVED
P	F	ZONE LTR	DESCRIPTION
6		G	REVISED: ECM AA-7622



- △ MATERIAL: SUPPORT PLATE, HOUSING AND ADAPTER COMB-POLYESTER, BLACK. BAIL CLIPS-PASSIVATED STAINLESS STEEL. RECEPTACLE SHIELD-BRIGHT NICKEL OVER COPPER PLATED ZINC. TERMINAL TAILS-TIN LEAD OVER NICKEL PLATED HIGH STRENGTH COPPER ALLOY. MATING SURFACE-LOCALIZED GOLD OVER NICKEL PLATED HIGH STRENGTH COPPER ALLOY. GROUND BRACKET-TIN LEAD PLATED CARBON STEEL.
- THE CONTACT SURFACES OF THE TERMINALS ARE COATED WITH LUBRICANT.
  - CENTER-TO-CENTER SPACING OF TERMINALS IS .085 NOMINAL.
  - ALL DIMENSIONS SHOWN ARE MAXIMUM UNLESS OTHERWISE SPECIFIED.
  - TERMINAL 1 LOCATED IN THIS ROW FOR STANDARD ORIENTATION.
  - GROUNDING BRACKET RETAINS CONNECTOR IN .062 THICK PC BOARD WITHOUT ADDITIONAL HARDWARE.
  - GROUNDING BRACKET LOCATES CONNECTOR FLUSH WITH TOP OF PC BOARD AND SPRING LOCKS BENEATH.
  - CYLINDRICAL SHAPE OFFERS 180° OF SOLDERING SURFACE.
  - SURFACE AREA OF GROUNDING BRACKET BELOW PC BOARD SHALL PASS SOLDERABILITY REQUIREMENTS IN ACCORDANCE WITH AMP SPECIFICATION 109-11-2. DISCOLORATION, SCRATCHES, SPOTS AND OTHER COSMETIC DEFICIENCIES TYPICAL OF BARREL PLATING PROCESSES ARE ACCEPTABLE PROVIDING PARTS PASS 24 HOUR EXPOSURE AT 95% RH AT 40°C WITHOUT EVIDENCE OF CORROSION.
  - BRACKET SUPPLIED BY CUSTOMER.
  - TERMINAL 1 LOCATED IN THIS ROW FOR REVERSE ORIENTATION.

REVERSE, VIEW C-C	AS SHOWN	-3
STANDARD, VIEW A-A	WITHOUT BAIL CLIPS	-2
ORIENTATION	AS SHOWN	555149-1

UNLESS OTHERWISE SPECIFIED DIMENSIONS ARE IN INCHES. TOLERANCES ON: DECIMALS ± ANGLES ±	CONTRACT NO. DR S. Odison 1-28-87	AMP INCORPORATED Harrisburg, Pa. 17105	
	MATERIAL △	NAME RECEPTACLE ASSEMBLY, LOW PROFILE, EXTENDED SHIELD, RIGHT ANGLE, 50 POSITION, BOARD LOCK, BAIL LOCK, CHAMP®	PART NO.
FINISH △	DSGN APPD OTHER APPD	SIZE D	FSCM NO 00779
		DRAWING NO 555149	SHEET 1 OF 1

CUSTOMER DRAWING

单击下面可查看定价，库存，交付和生命周期等信息

[>>TE Connectivity\(泰科\)](#)