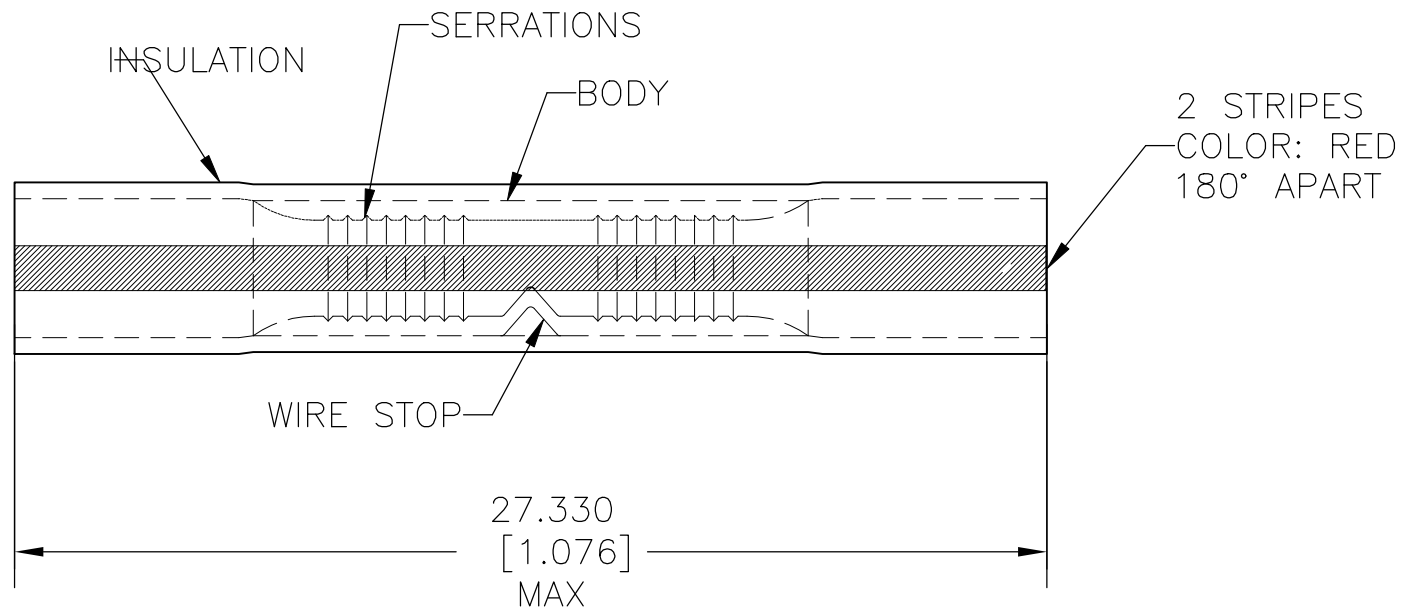



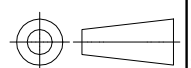
P	LTR	DESCRIPTION	DATE	DWN	APVD
	E	REV/ 0720-0612-95	31MAY95	-	ME
	E1	REVISED PER ECO-17-014338	29MAR2018	RS	DR

	E13288 Listed
22-16 AWG SOLID OR STRANDED	



1. WIRE INSUL DIA, 2.667-3.556 [.105-.140]

QTY	PACKAGE TYPE	MATERIAL & FINISH	PART NO
2500	ON TAPE, REEL	BODY: COPPER PER ASTM B-152 TIN PL 0.00254[.000100] MIN THK PER ASTM B545	55792-2
1000	LOOSE PIECE	INSULATION: VINYL COLOR: TRANSPARENT	55792-1

THIS DRAWING IS A CONTROLLED DOCUMENT.		DWN DK SCHRUM 9/14/90	 TE Connectivity Ltd.					
DIMENSIONS: mm [INCHES]		CHK MS FEHER 9/14/90				NAME SPLICE, BUTT, PLASTI-GRIP, WIRE SIZE, 22-16 AWG		
		APVD TL SHUTTER 9/14/90						
TOLERANCES UNLESS OTHERWISE SPECIFIED:		PRODUCT SPEC UL 486A-B	APPLICATION SPEC 114-2161	SIZE A3	CAGE CODE 00779	DRAWING NO C-55792	RESTRICTED TO -	
MATERIAL SEE TABLE		FINISH SEE TABLE		WEIGHT	SCALE 5:1		SHEET 1 OF 1	REV E1

单击下面可查看定价，库存，交付和生命周期等信息

[>>TE Connectivity\(泰科\)](#)