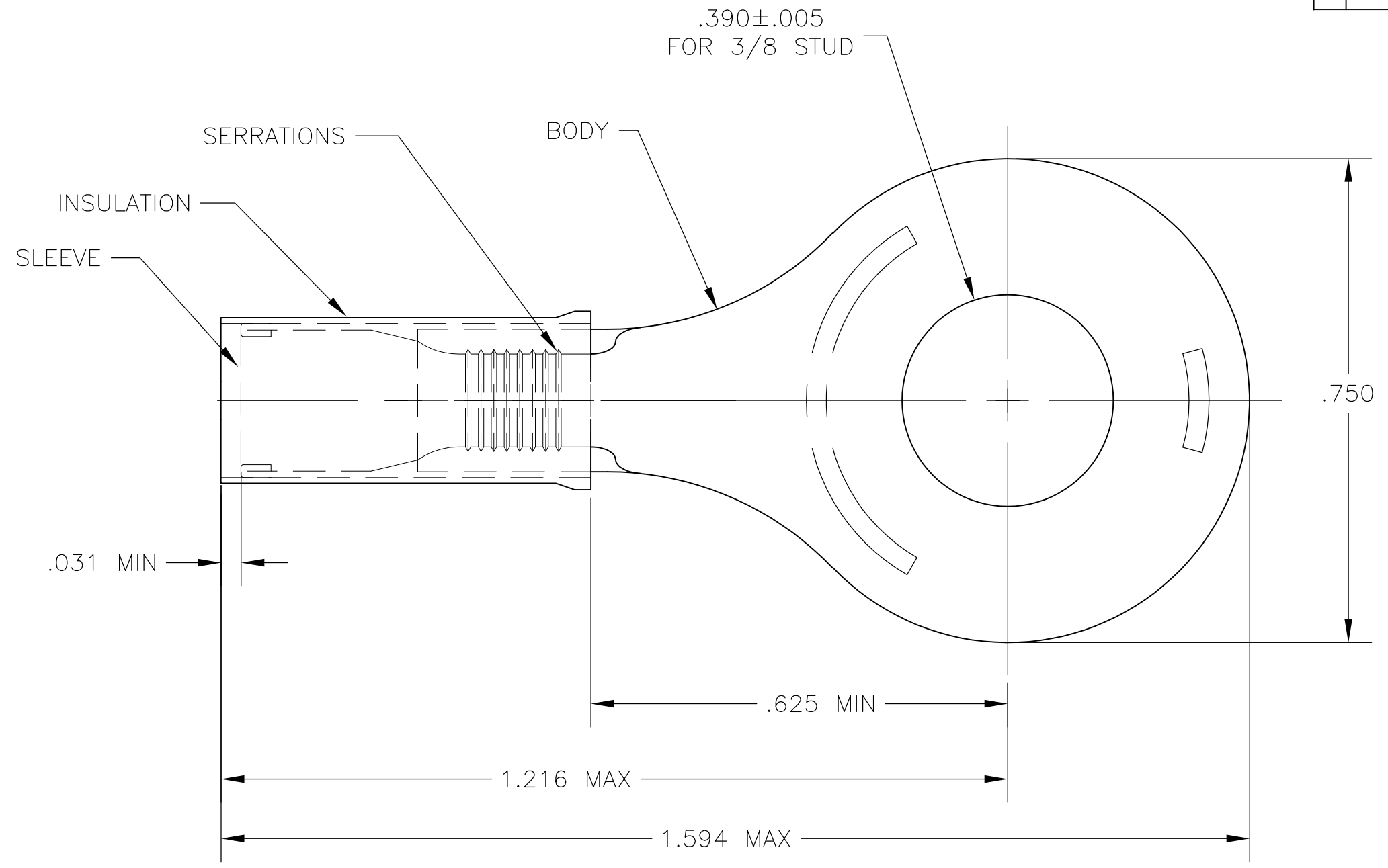


THIS DRAWING IS UNPUBLISHED. RELEASED FOR PUBLICATION
 © COPYRIGHT BY TYCO ELECTRONICS CORPORATION. ALL INTERNATIONAL RIGHTS RESERVED.

LOC	DIST	REVISIONS					
G	14	P	LTR	DESCRIPTION	DATE	DWN	APVD
			C1	REDRAWN PER ECR 09-006116	17MAR09	JR	TM



- 1 FOR .150 TO .250 WIRE INSULATION DIA.
- 2 MATERIAL TONGUE THK IS .040±.002

WIRE TERMINAL	INSULATION: NYLON, COLOR YELLOW BODY & SLEEVE: BODY: COPPER PER ASTM B152 TIN PLATE PER ASTM B545	35150
DESCRIPTION	MATERIAL	PART NO

THIS DRAWING IS A CONTROLLED DOCUMENT.		DWN jr_ruth 17MAR09	Tyco Electronics Corporation Harrisburg, PA 17105-3608	
DIMENSIONS: INCHES		CHK TOM MICHIELUTTI 17MAR09	NAME TERMINAL, PIDG, RIN TONGUE, WIRE SIZE 12-10 AWG	
TOLERANCES UNLESS OTHERWISE SPECIFIED:		APVD TOM MICHIELUTTI 17MAR09	PRODUCT SPEC	
0 PLC ± -		APPLICATION SPEC		
1 PLC ± -		SIZE		
2 PLC ± -		CAGE CODE		
3 PLC ± .008		DRAWING NO		
4 PLC ± -		RESTRICTED TO		
ANGLES ± 5°		A3 00779 C-35150		
MATERIAL SEE TABLE	FINISH SEE TABLE	WEIGHT -		
CUSTOMER DRAWING		SCALE 8:1	SHEET 1 OF 1	REV C1

单击下面可查看定价，库存，交付和生命周期等信息

[>>TE Connectivity\(泰科\)](#)