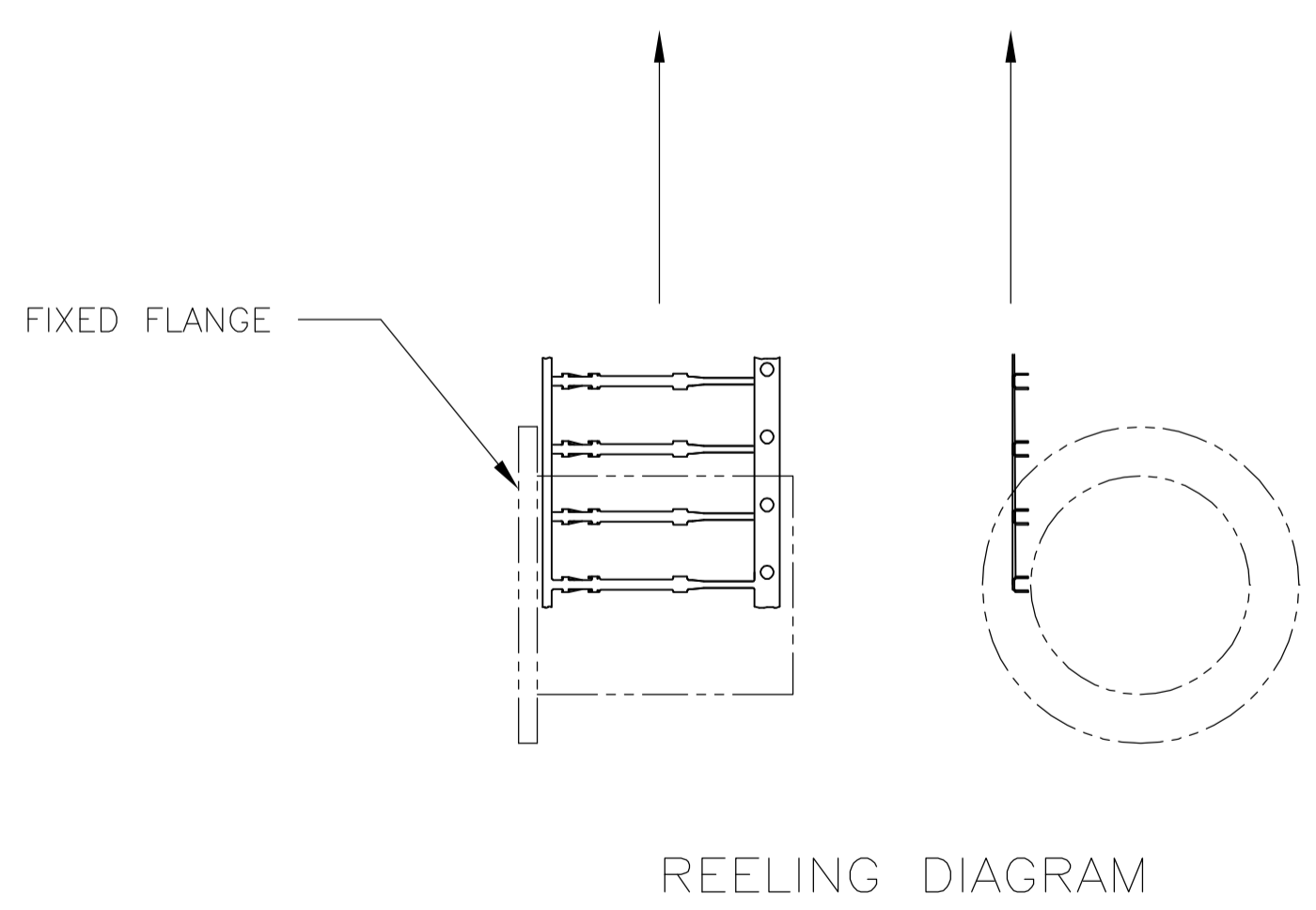
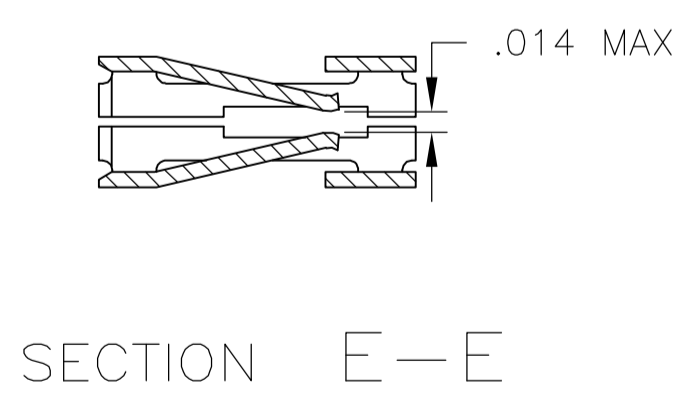


- 1 MATERIAL: PHOSPHOR BRONZE ALLOY 521.
- 2 .000030 MIN GOLD ON CONTACT AREA OVER .000050-.000100 NICKEL ON ENTIRE CONTACT, GOLD FLASH OVER RECEPTACLE BOX, .000100-.000200 BRIGHT TIN ON TINE END.
- 3 .000030 MIN GOLD ON CONTACT AREA OVER .000050-.000100 NICKEL ON ENTIRE CONTACT, GOLD FLASH OVER RECEPTACLE BOX, .000100-.000200 MATTE TIN ON TINE END.
- 4 ROHS 2002/95/EC COMPLIANT.
- 5 .000015 MIN GOLD ON CONTACT AREA OVER .000050-.000100 NICKEL ON ENTIRE CONTACT, GOLD FLASH OVER RECEPTACLE BOX, .000100-.000200 MATTE TIN ON TINE END.



4	5	5-102067-3
4	3	5-102067-2
	2	102067-2
FINISH		PART NUMBER

THIS DRAWING IS A CONTROLLED DOCUMENT.		DWN R BROWN 11JUL01		Tyco Electronics Corporation Harrisburg, PA 17105-3608	
DIMENSIONS: INCHES		CHK J OLSON 11JUL01		NAME CONTACT, MOD IV, RECEPTACLE	
TOLERANCES UNLESS OTHERWISE SPECIFIED:		APVD J OLSON 11JUL01	PRODUCT SPEC		
0 PLC ± -		APPLICATION SPEC			
1 PLC ± -		SIZE			
2 PLC ± -		CAGE CODE			
3 PLC ± .005		DRAWING NO			
4 PLC ± -		RESTRICTED TO			
ANGLES ± -		WEIGHT			
FINISH SEE TABLE		A1 00779 C=102067			
		CUSTOMER DRAWING			
		SCALE 10:1 SHEET 1 OF 1 REV A			

单击下面可查看定价，库存，交付和生命周期等信息

[>>TE Connectivity\(泰科\)](#)