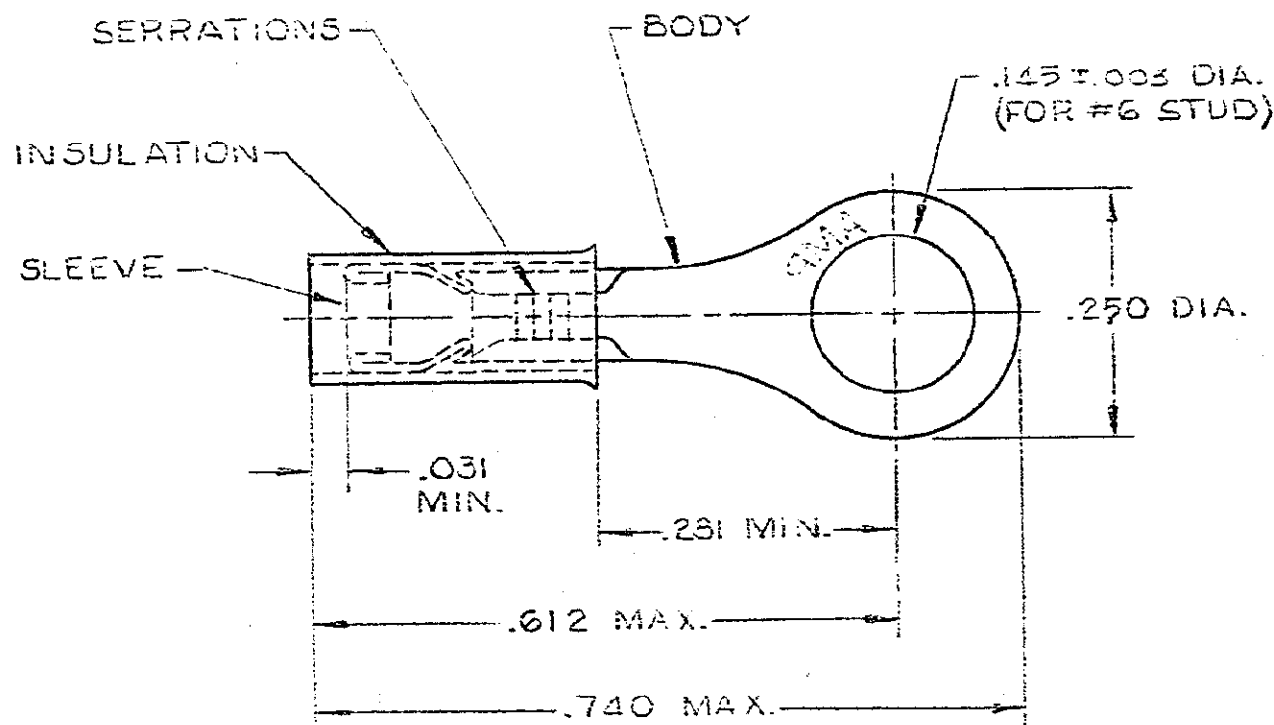


THIS DRAWING IS UNPUBLISHED. RELEASED FOR PUBLICATION, 19  
 © COPYRIGHT 19 BY AMP INCORPORATED, HARRISBURG, PA. ALL INTERNATIONAL RIGHTS RESERVED. AMP PRODUCTS MAY BE COVERED BY U.S. AND FOREIGN PATENTS AND/OR PATENTS PENDING.

		REVISIONS				
P	F	ZONE	LTR	DESCRIPTION	DATE	APPROVED
✓	✓		L	REDRAWN, REVISED PER G-1478, G-1173, P85-0115 & P89-0116	11/28/80	PTJ
✓	✓		M	OBSOLETE 2--8 PER G-2393	8/24/87	SS
✓	✓		N	REV PER G-3914	11/10/88	AG
✓	✓		P	OBS. 2--3, 2--7 G-3755, G-3756, G-3757, G-3758	3-29-89	49
✓	✓		R	OBS 2-1, 2-4 G-5160	11/4/90	DK/DK



- 1 WIRE INSULATION DIA. = .050 - .082
- 2 TONGUE MATERIAL THK. = .018 ± .002
- 3 BODY FINISH: TIN PLATE (MIL-T-10727), .000100 MIN THK.
- 4 FOREIGN PRODUCTION ONLY.

OBSOLETE			2-321020-4
OBSOLETE			2-321020-1
OBSOLETE	100	ON TAPE, SM. BOX	2-321020-8
OBSOLETE	1000	ON TAPE, LG. BOX	2-321020-7
OBSOLETE	5000	ON TAPE, REEL	2-321020-3
		LOOSE PIECE	321020

UNLESS OTHERWISE SPECIFIED DIMENSIONS ARE IN INCHES. TOLERANCES ON: DECIMALS ± .008 ANGLES ± —		CONTRACT NO DR UTA/REB 10-1-85		AMP INCORPORATED Harrisburg, Pa.	
MATERIAL INSULATION: PVC-YELLOW BODY & SLEEVE COPPER (QQ-C-576)		GHK Pittsburgh 11-2-80			
FINISH BODY: 3		APPD. C. J. ... 01/30/85		DRAWING NO 321020	
		DSGN APPD		SIZE B	
		OTHER APPD		FSCM NO 00779	
		QUANTITY		SCALE NTS	
		DESCRIPTION		SHEET 1 OF 1	
		PART NO			

单击下面可查看定价，库存，交付和生命周期等信息

[>>TE Connectivity\(泰科\)](#)