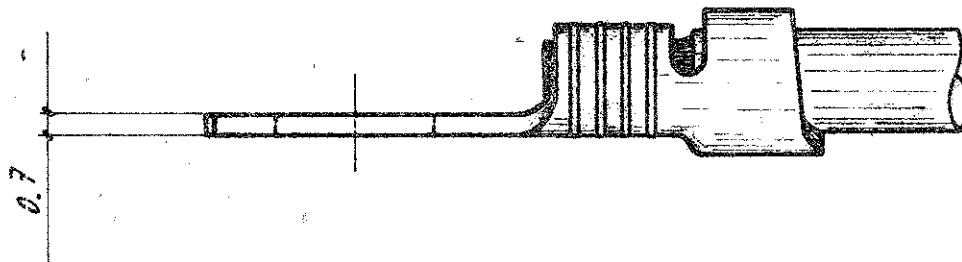
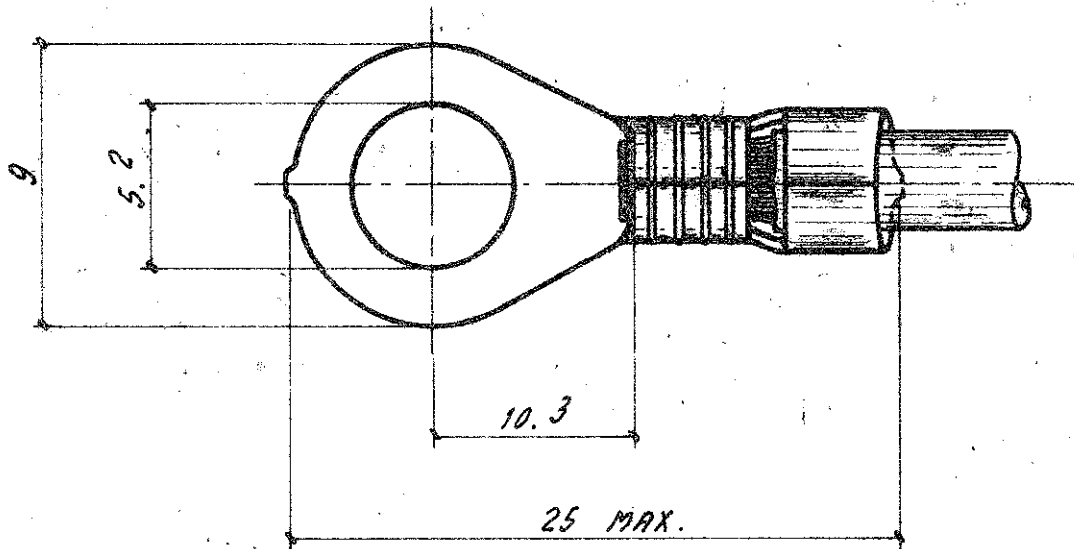


NUMBER
C-280267



DIMENSIONS IN mm (in) DO NOT SCALE PRINT

OBSOLETE

| | | | | | | | |
|---|--|--------|-----------|--|--|--|--|
| | | | | © 1970 BY AMP INCORPORATED. ALL RIGHTS RESERVED. AMP PRODUCTS COVERED BY PATENTS AND/OR PATENTS PENDING. | | CUSTOMER COPY REFERENCE ONLY | |
| E | Revised E100-0067-01 | GS | 09/03/01 | MATERIAL AND FINISH | | AMP AMP - ITALIA CORSO FECHIERA 280/B TORINO - ITALIA | |
| C | PN 280267-1: OBSOLETE FOR EC E100-0106-96 | A.F. | 05 MAR 96 | OTTONE | | CLASS | |
| B | TERMINALE IN PRODUZIONE | Juneo | 16-2-72 | OTTONE STAGNATO | | TYPE | |
| A | FIN ERA 1A-70-506B | Loctan | 10/12/71 | WIRE RANGE INSULATION 4 - 6 mm ² 3.8 - 5.3 DIA. | | TYPE | |
| LTR REVISION RECORD DR CHK DATE | | | | TOLERANCE EXCEPT AS NOTED ± 0.4 + 1° 0' | | SCALE | |
| DR <i>Loctan</i> 7 th APRIL 70 | | DE | | LOC I | | NO A | |
| CHK <i>Loctan</i> APRIL 70 | | APP | | C-280267 | | REV E | |

单击下面可查看定价，库存，交付和生命周期等信息

[>>TE Connectivity\(泰科\)](#)