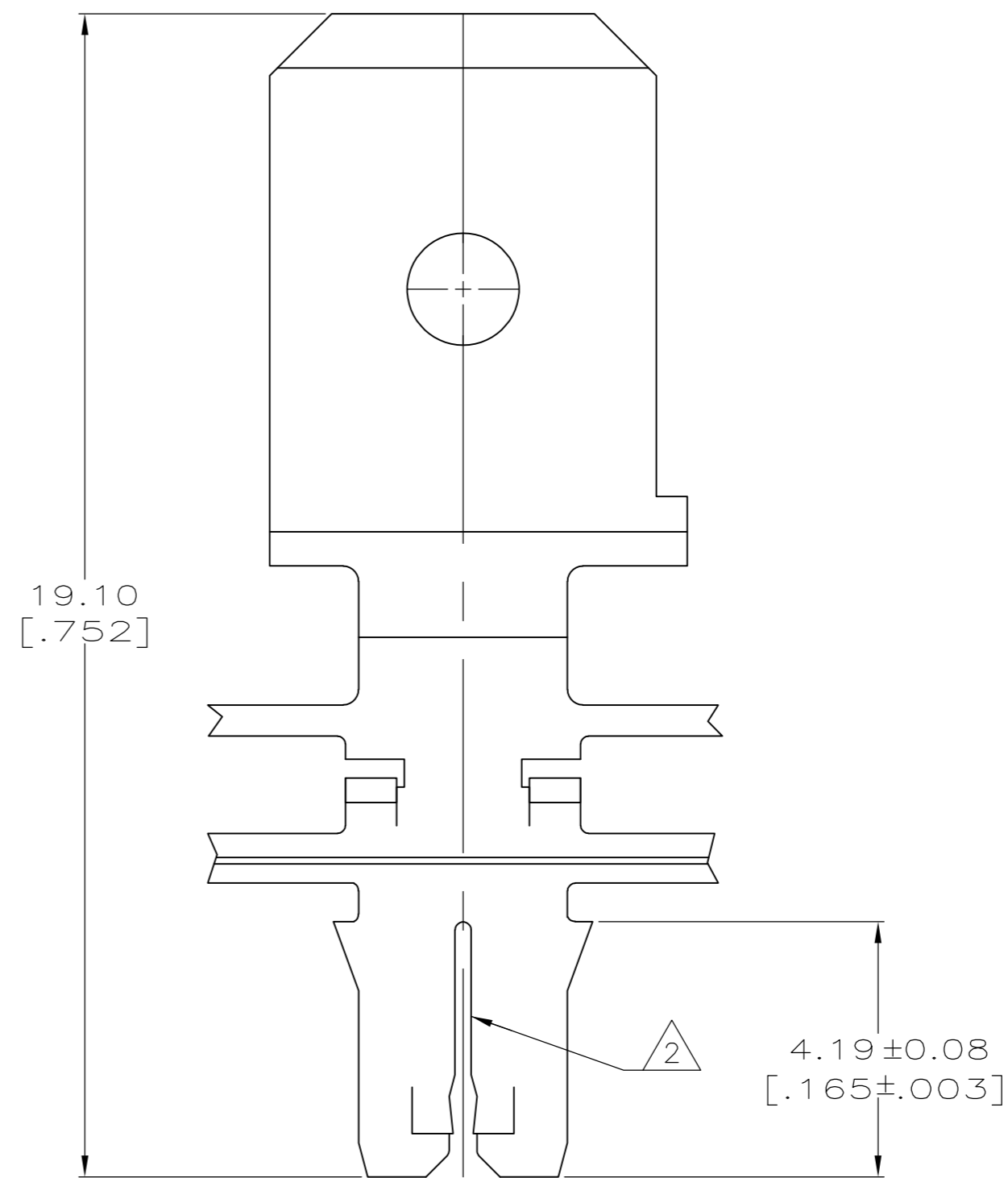
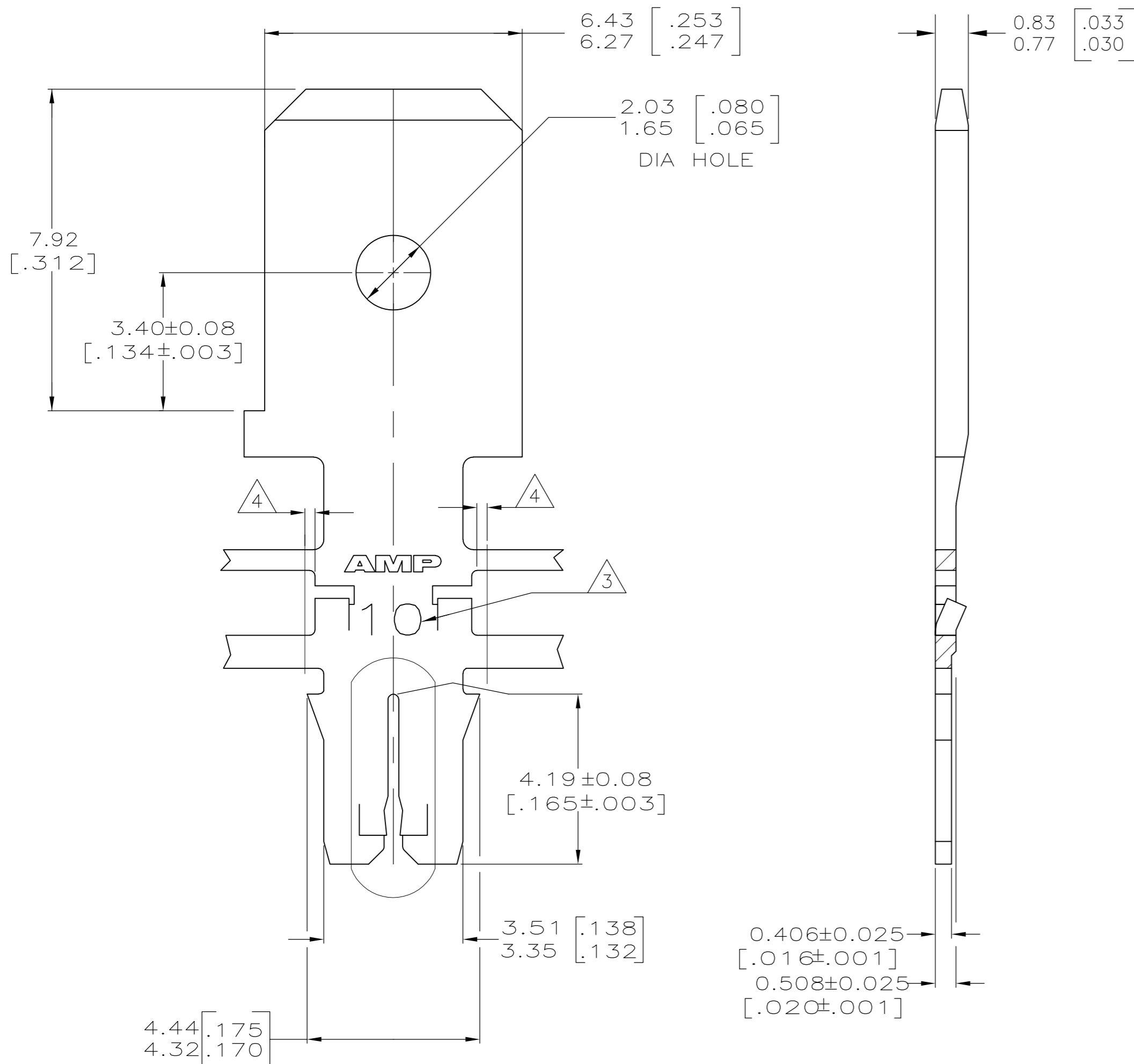


THIS DRAWING IS UNPUBLISHED. RELEASED FOR PUBLICATION
 © COPYRIGHT - By - ALL RIGHTS RESERVED.

LOC		DIST		REVISIONS			
P	LTR	DESCRIPTION		DATE	DWN	APVD	
AF	50	G1		REVISED PER ECR-13-019898	24DEC2013	GRZ	JL

- 1 CONTINUOUS STRIP ON REELS WITH TERMINALS LOCATED ON 8.38 ± 0.08 $[\ .330 \pm .003]$ CENTERS.
- 2 SLOT ACCEPTS 0.36-0.51mm [#27-#24] AWG COPPER MAGNET WIRE. TWO WIRES OF THE SAME SIZE MAX PER SLOT
- 3 IDENTIFICATION NUMBER 10 FOR THE MAGNET WIRE SLOT SIZE
- 4 0.25 $[\ .010]$ MAX CARRIER CUT-OFF TABS



OBSELETE	082 PRE-MILLED BRASS	5	63718-2
	4M PRE-MILLED BRASS		63718-1
MATERIAL		PART NUMBER	

THIS DRAWING IS A CONTROLLED DOCUMENT.		DWN	L.A.MAYER	9-27-93	STE TE Connectivity		
DIMENSIONS: INCHES		CHK	M.S. FEHER	9-27-93			
TOLERANCES UNLESS OTHERWISE SPECIFIED:		APVD	A.HUNT III	9-27-93	NAME		
0 PLC	± -	PRODUCT SPEC		TAB, 6.35 $[\ .250]$ FASTON™			
1 PLC	± -	APPLICATION SPEC		MAG-MATE™ Slim Line			
2 PLC	± 0.13 $[\ .005]$	108-1484		SIZE	CAGE CODE	DRAWING NO	RESTRICTED TO
3 PLC	± -	114-2140		A2	00779	C=63718	-
4 PLC	± -	FINISH		WEIGHT		SCALE	
ANGLES	± -	0.002032 $[\ .000080]$		-		10:1	
MATERIAL		MIN TIN PLATE		CUSTOMER DRAWING		SHEET 1 of 1	
SEE TABLE						REV G1	

单击下面可查看定价，库存，交付和生命周期等信息

[>>TE Connectivity\(泰科\)](#)