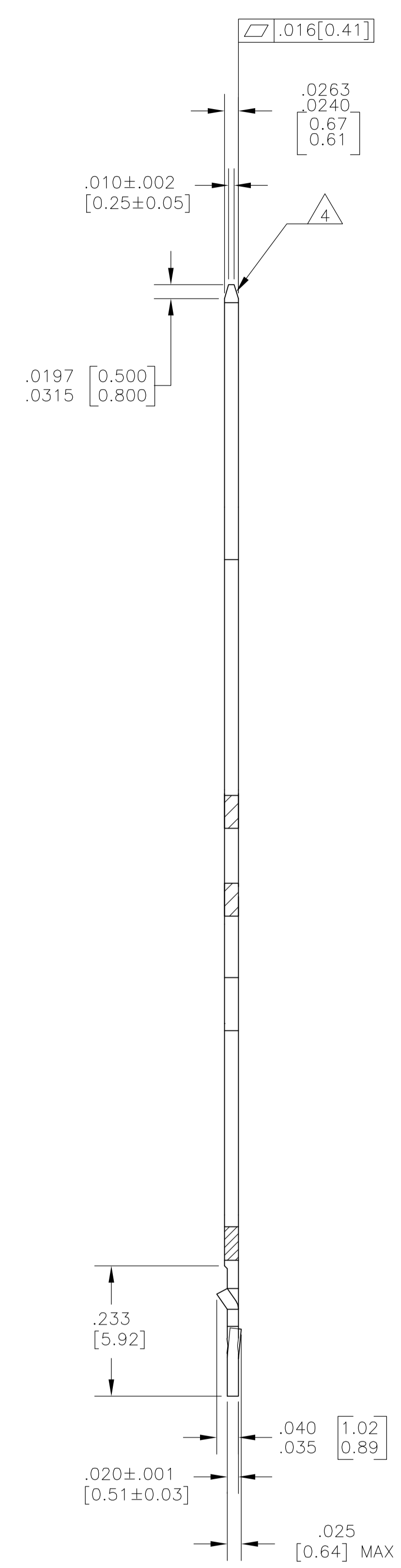
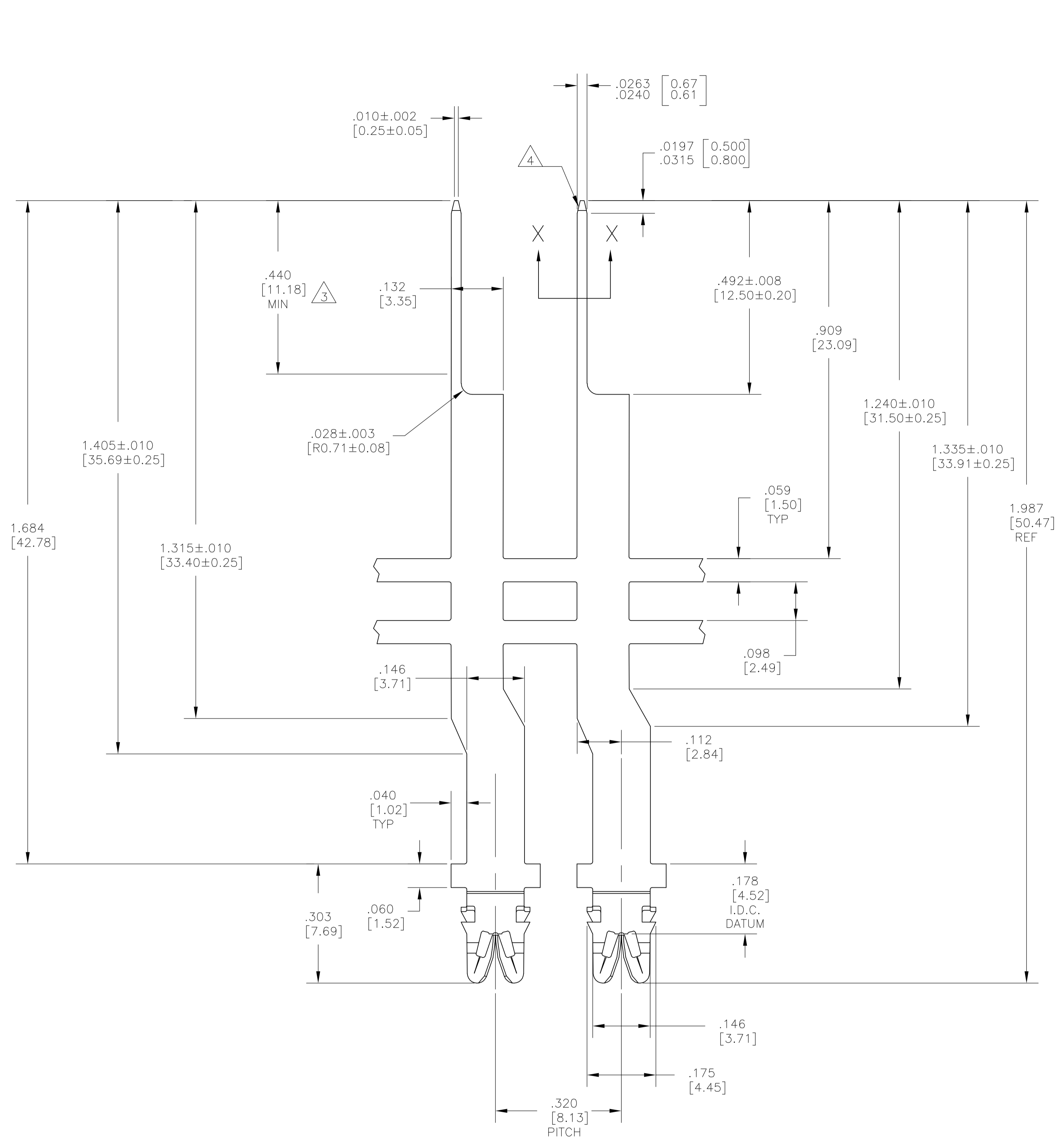


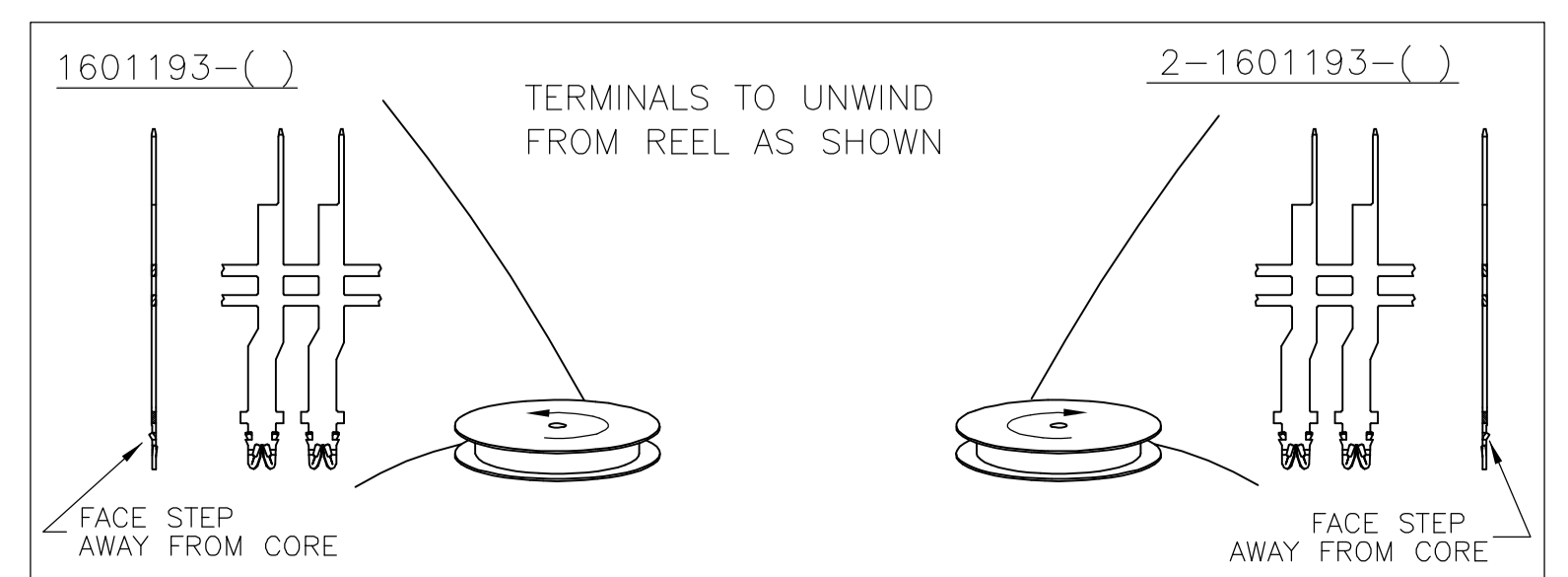
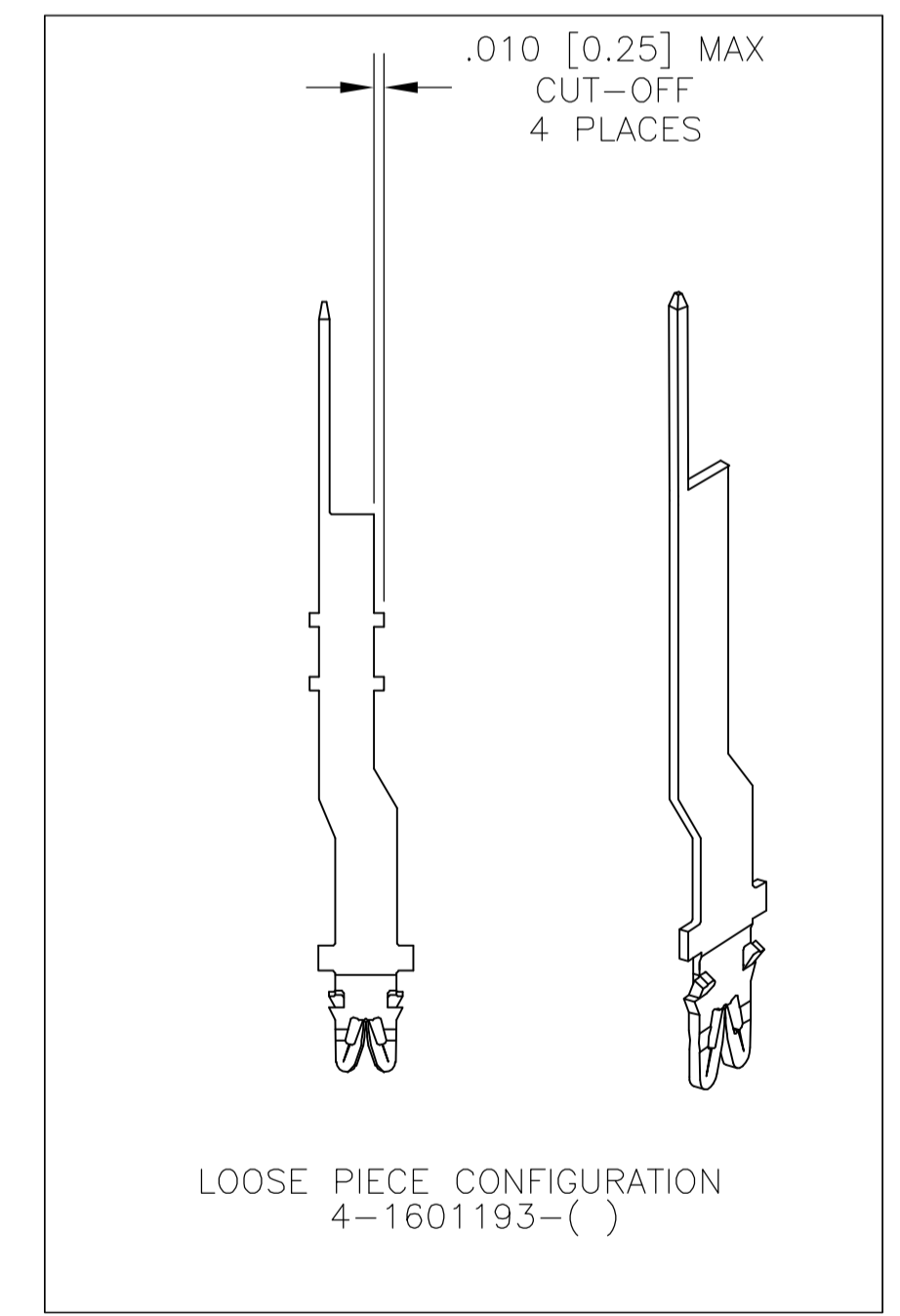
LOC		DIST		REVISIONS			
AF	14	REV	DESCRIPTION	DATE	BY	APP'D	
B3			REVISED PER ECR-06-022483	03OCT06	HMR	GJ	



- 1 SPECIFICATIONS: MAGNET WIRE RANGE; #18-#34 .006-.040 DIA [0.16-1.02] mm COPPER. OTHER SIZES MAY BE ACCOMMODATED, CONSULT TYCO ELECTRONICS FOR APPROVAL.
- 2 POCKET RECOMMENDATION: 1601474.
- 3 THIS LENGTH TO BE COINED ON ALL 4 CORNERS WITH NO BURRS. MAX RADIUS AS SHOWN IN SECTION X-X
- 4 TIP MAY BE RADIUS AND HAVE CONVEX SIDES WITHIN DIMENSIONS SHOWN.
- 5 TERMINAL APPLICATION TO COMPLY WITH TYCOELECTRONICS SPECIFICATION 114-13166.

R.003 MAX 4 PLC NO BURRS 3

SECTION X-X
SCALE 12:1



THIS DRAWING IS A CONTROLLED DOCUMENT.		DWN MICHAEL S. FEHNER 17MAY2004		Tyco Electronics Corporation	
DIMENSIONS: INCHES		CHK GENE JACOBO 17MAY2004		Harrisburg, PA 17105-3608	
TOLERANCES UNLESS OTHERWISE SPECIFIED:		APVD GENE JACOBO 17MAY2004		NAME	
0 PLC ± -		PRODUCT SPEC		.025 SQUARE OFFSET PIN STANDARD SIAMEZE TERMINAL	
1 PLC ± -		APPLICATION SPEC		108-2085	
2 PLC ± .01[0.25]		SIZE		A1	
3 PLC ± .005[0.13]		CAGE CODE		00779	
4 PLC ± - # 2		DRAWING NO		1601193	
ANGLES ± - # 2		RESTRICTED TO		-	
MATERIAL FULL HARD PRE-MILLED BRASS		FINISH SEE TABLE		CUSTOMER DRAWING	
WEIGHT		SCALE		6:1	
SHEET		1 OF 1		REV B3	

单击下面可查看定价，库存，交付和生命周期等信息

[>>TE Connectivity\(泰科\)](#)