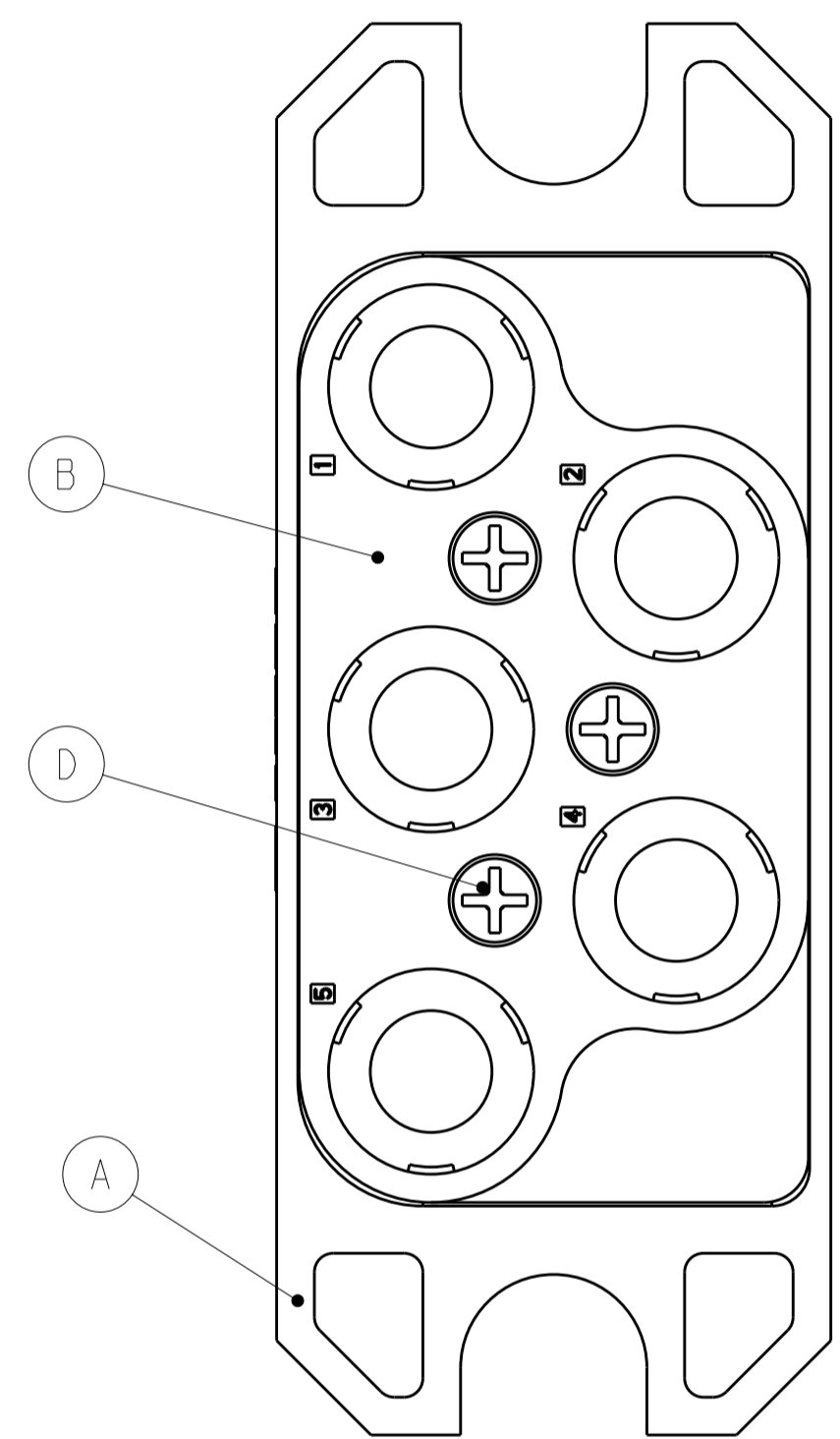
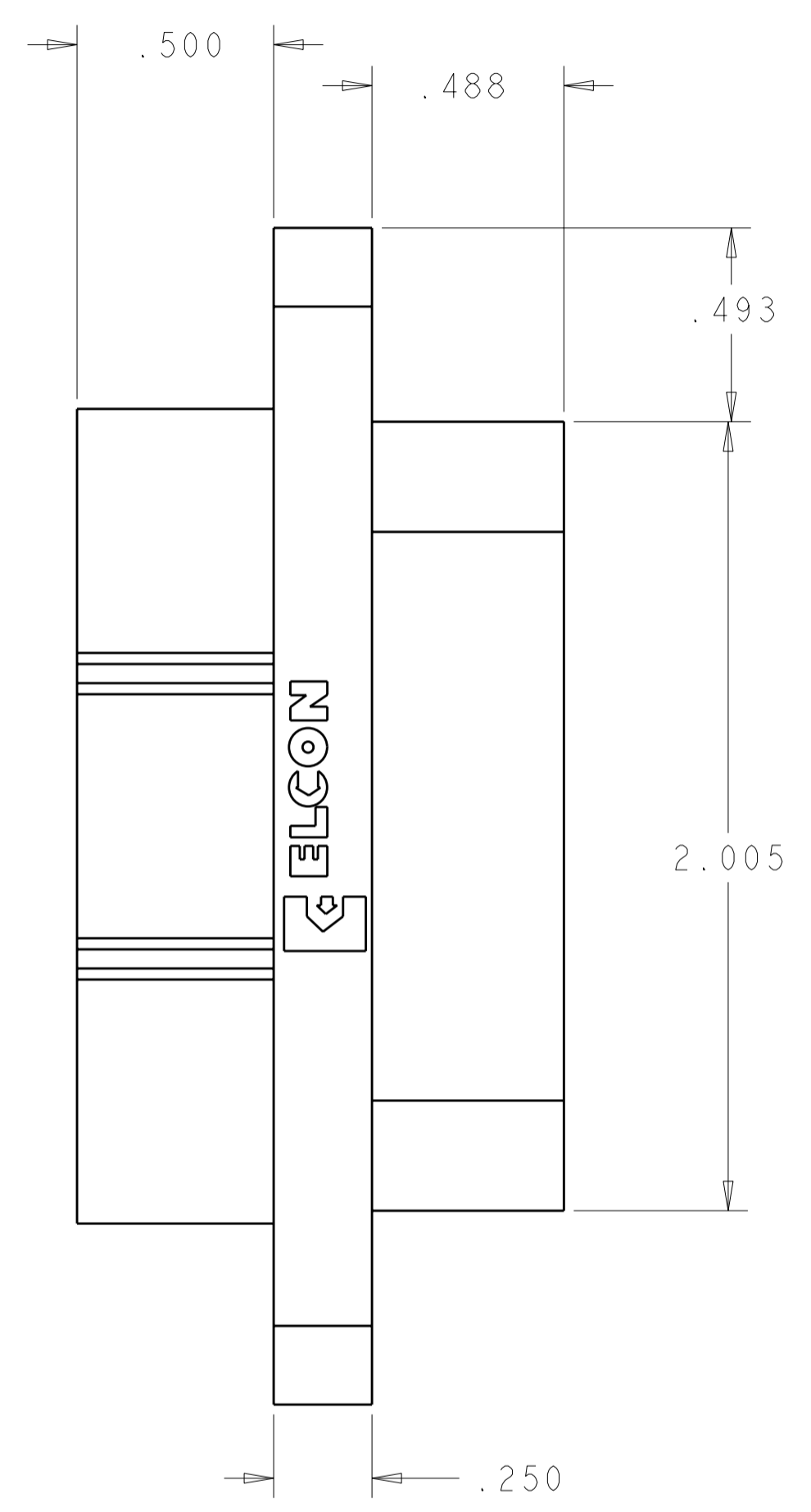
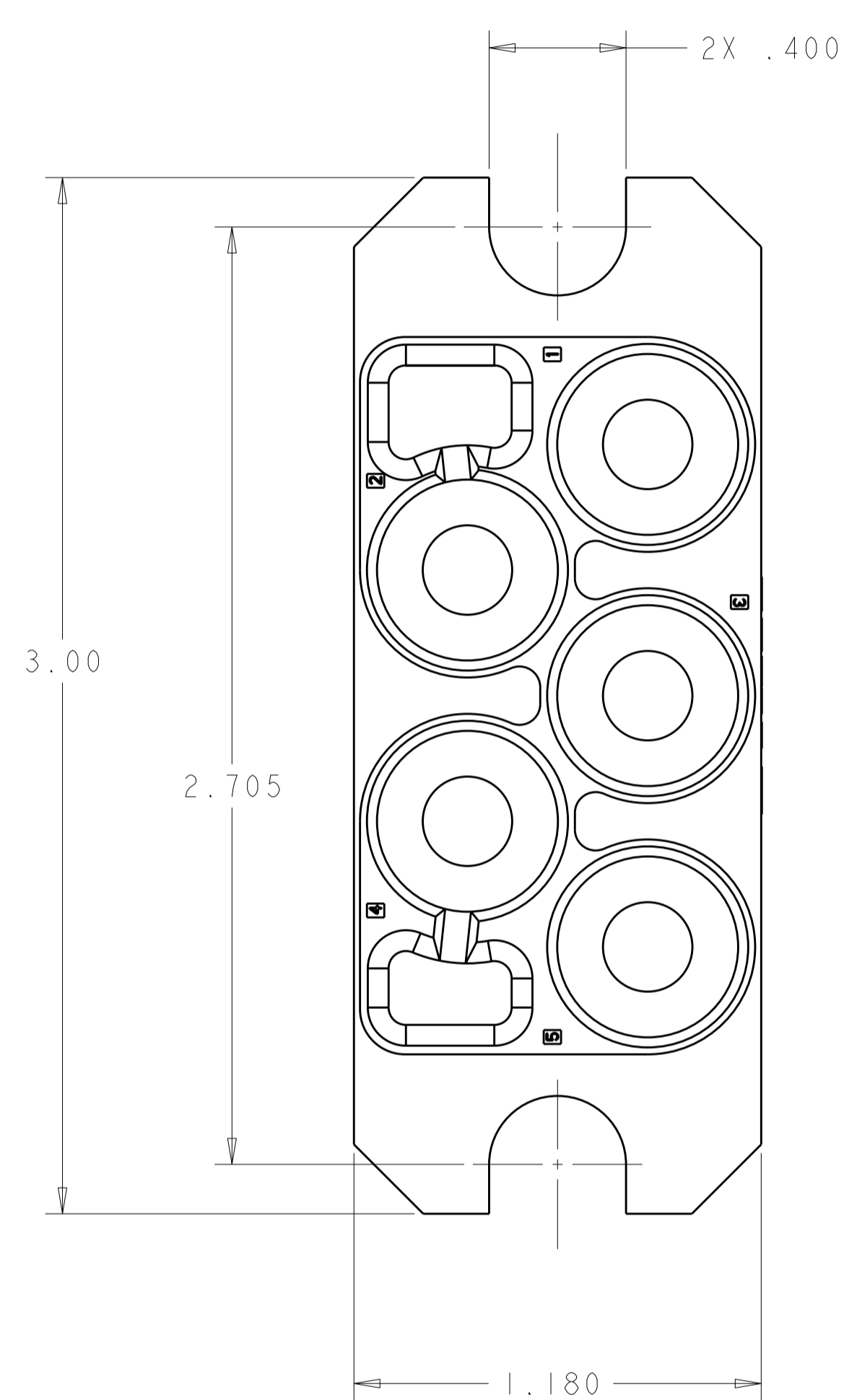


THIS DRAWING IS UNPUBLISHED. RELEASED FOR PUBLICATION 20  
 © COPYRIGHT 20 BY TYCO ELECTRONICS CORPORATION. ALL RIGHTS RESERVED.

LOC	DIST	REVISIONS			
P	LTR	DESCRIPTION	DATE	DWN	APVD
GP	00	A	NEW RELEASE	18JUL2007	RG DO
		B	REV PER ECO-09-008290	16APR2009	RG DO



REAR VIEW

RETENTION CLIP (C)  
 SIZE #4

AS SHOWN	6648191-1
DESCRIPTION	PART NUMBER

THIS DRAWING IS A CONTROLLED DOCUMENT FOR TYCO ELECTRONICS CORPORATION IT IS SUBJECT TO CHANGE AND THE CONTROLLING ENGINEERING ORGANIZATION SHOULD BE CONTACTED FOR THE LATEST REVISION.		DWN R. GRZYBOWSKI 18JUL2007 CHK D. ORRIS 18JUL2007 APVD S. FLICKINGER 18JUL2007	Tyco Electronics Harrisburg, PA 17105-3608
DIMENSIONS: INCHES	TOLERANCES UNLESS OTHERWISE SPECIFIED: 0 PLC ± 1 PLC ± 2 PLC ±.02 3 PLC ±.010 4 PLC ± ANGLES ± FINISH	PRODUCT SPEC APPLICATION SPEC WEIGHT	NAME P. GRZYBOWSKI S. FLICKINGER SIZE CAGE CODE DRAWING NO A200779 C-6648191
MATERIAL		CUSTOMER DRAWING	RESTRICTED TO SCALE 3:1 SHEET 1 OF 2 REV B

**ELCON** "W" POWER



单击下面可查看定价，库存，交付和生命周期等信息

[>>TE Connectivity\(泰科\)](#)