

4

3

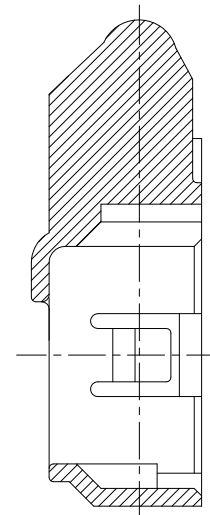
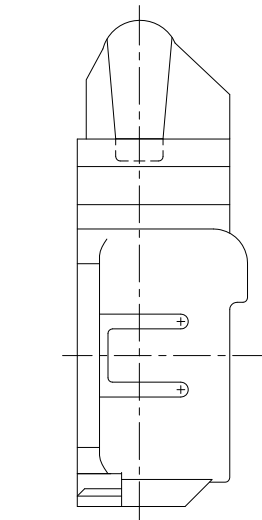
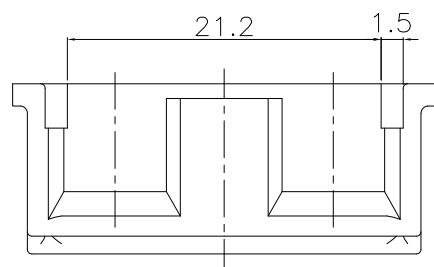
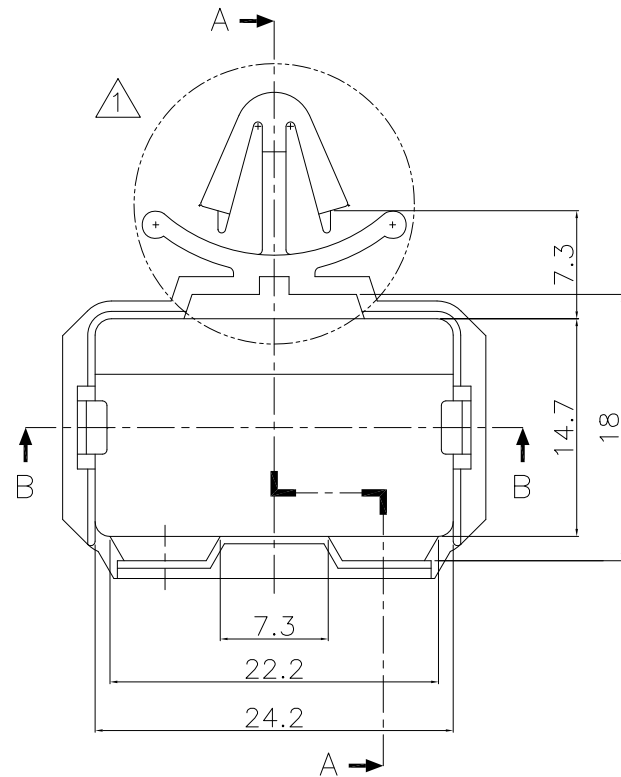
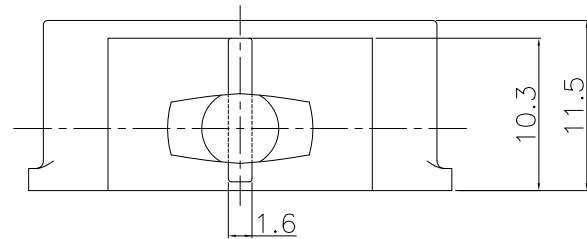
2

1

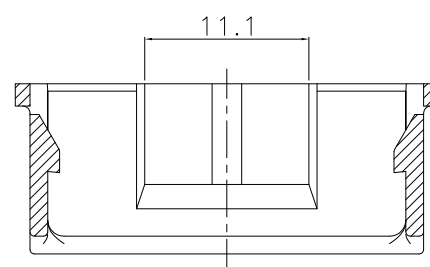
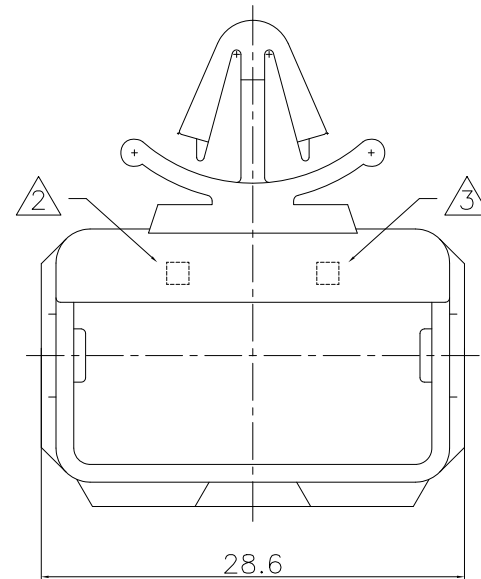
THIS DRAWING IS UNPUBLISHED. RELEASED FOR PUBLICATION ,19 .
© COPYRIGHT 19 BY AMP INCORPORATED. ALL RIGHTS RESERVED.

LOC	DIST	REVISIONS					
		P	LTR	DESCRIPTION	DATE	DWN	APVD
DS		O		RELEASED (FC00-0119-01)	06/NOV/01	YD	CS
		A		REVISED (ECR-05-009469)	23/AUG/05	IS	JK
		B		REVISED (ECR-08-030553)	02/FEB/09	YM	HC

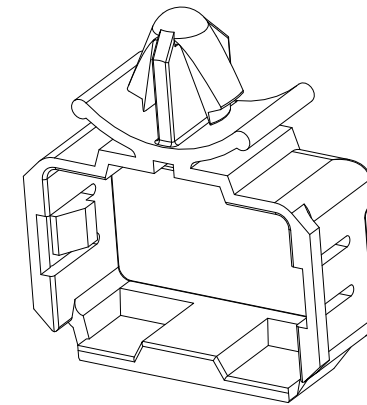
936273-1



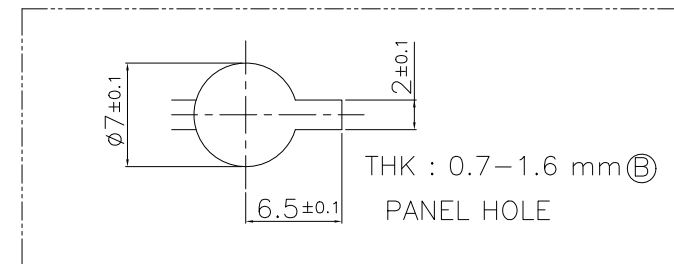
SECTION A-A



SECTION B-B



3D VIEW



NOTES

- ① EACH P/NO IS DIFFERENTIATED BY ONLY THIS FIGURE DUE TO PANEL & JPT
- ② CAVITY MARK
- ③ TE LOGO

THIS DRAWING IS A CONTROLLED DOCUMENT FOR AMP INCORPORATED. IT IS SUBJECT TO CHANGE AND THE CONTROLLING ENGINEERING ORGANIZATION SHOULD BE CONTACTED FOR THE LATEST REVISION.

DIMENSIONS: MM	TOLERANCES UNLESS OTHERWISE SPECIFIED:
	0<XX<10 ± 0.2
	10<XX<30 ± 0.25
	30<XX<100 ± 0.3
	ANGLES ± 3°

MATERIAL NYLON 66 (DSC201IR, BLACK)

FINISH

936273-1	ø7 (THK:0.7-1.6) (B) KEY HOLE	85205/368366/368356(STD), 368000/936136(MULTI)
----------	----------------------------------	--

P/NO	PANEL HOLE & THK	APPLICABLE P/NO OF JPT 3P ASS'Y
------	------------------	---------------------------------

DWN Y.M.LEE	AMP KOREA. Kyungsan, Korea
CHK Y.M.CHOI	

APVD H.G.CHO	NAME
PRODUCT SPEC	CLIP BODY HSG FOR JPT 3P ASS'Y
APPLICATION SPEC	

WEIGHT	1.87 g	SIZE	A3	CAGE CODE	00779	DRAWING NO	936273
--------	--------	------	----	-----------	-------	------------	--------

CUSTOMER DRAWING	SCALE	1/2	SHEET	1	OF	3	REV	B
------------------	-------	-----	-------	---	----	---	-----	---

4

3

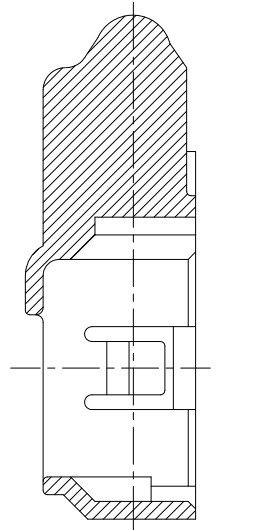
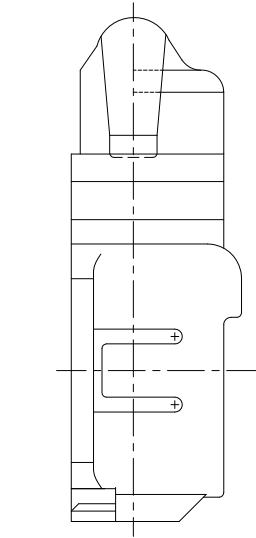
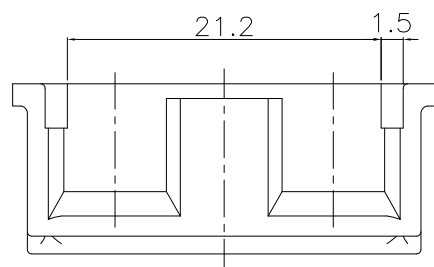
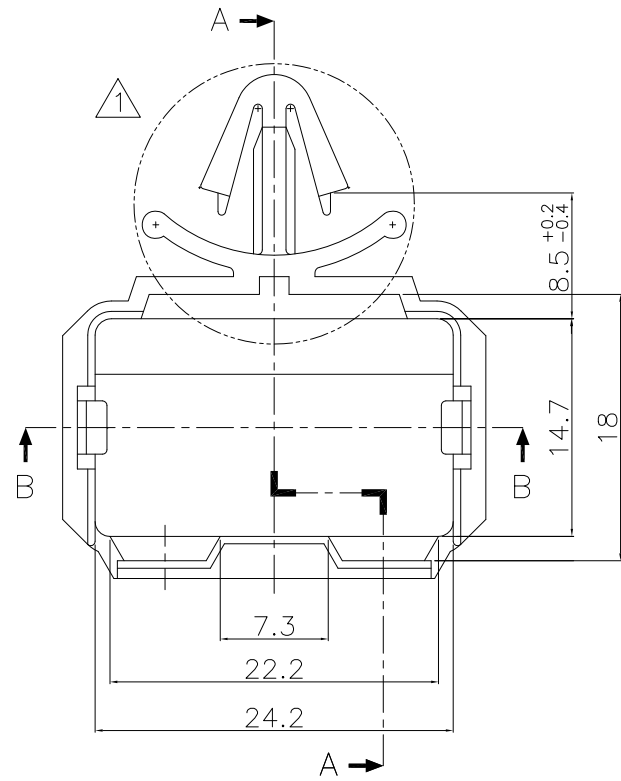
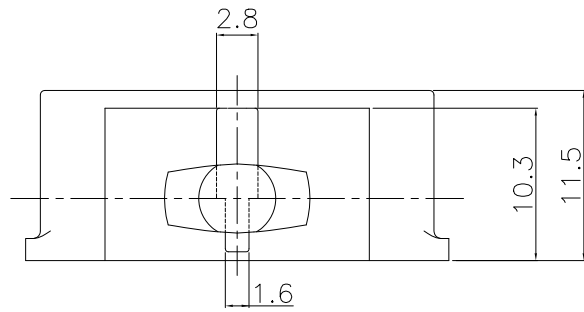
2

1

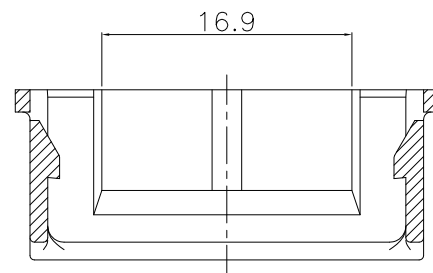
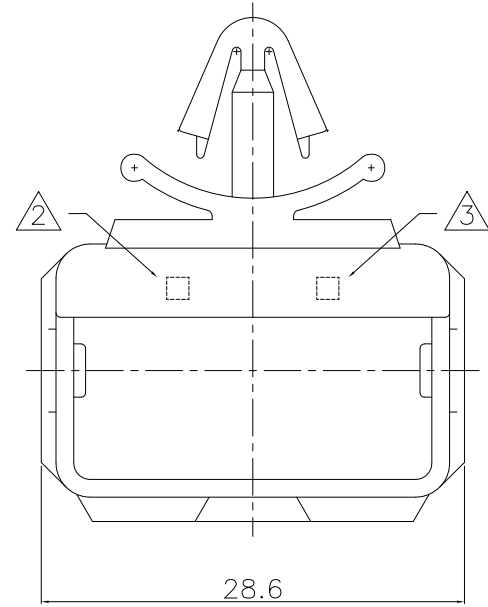
THIS DRAWING IS UNPUBLISHED. RELEASED FOR PUBLICATION ,19 .
© COPYRIGHT 19 BY AMP INCORPORATED. ALL RIGHTS RESERVED.

LOC	DIST	REVISIONS					
DS		P	LTR	DESCRIPTION	DATE	DWN	APVD
				SEE SHEET 1/3			

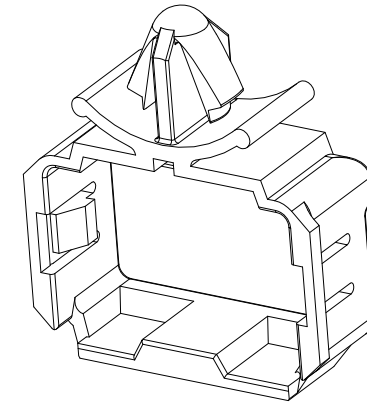
936273-2



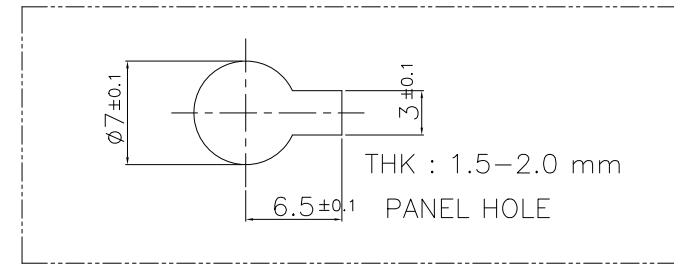
SECTION A-A



SECTION B-B



3D VIEW



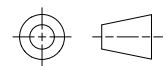
NOTES

- 1. EACH P/NO IS DIFFERENTIATED BY ONLY THIS FIGURE DUE TO PANEL & JPT
- 2. CAVITY MARK
- 3. TE LOGO

THIS DRAWING IS A CONTROLLED DOCUMENT FOR AMP INCORPORATED. IT IS SUBJECT TO CHANGE AND THE CONTROLLING ENGINEERING ORGANIZATION SHOULD BE CONTACTED FOR THE LATEST REVISION.

DIMENSIONS: MM TOLERANCES UNLESS OTHERWISE SPECIFIED:

0<XX<10 ± 0.2
 10<XX<30 ± 0.25
 30<XX<100 ± 0.3
 ANGLES ± 3°



3rd ANGLE PROJECTION

MATERIAL NYLON 66 (DSC201IR,BLACK) FINISH

936273-2	$\phi 7$ (THK:1.5-2.0) KEY HOLE	368215(KNOCK SENSOR)
P/NO	PANEL HOLE & THK	APPLICABLE P/NO OF JPT 3P ASS'Y
DWN	CHK	APVD
SEE SHEET 1/3		NAME
PRODUCT SPEC		AMP KOREA, Kyungsan, Korea
APPLICATION SPEC		CLIP BODY HSG FOR JPT 3P ASS'Y
WEIGHT	1.97 g	SIZE
CUSTOMER DRAWING		CAGE CODE
		DRAWING NO
		A3 00779 © 936273
		SCALE 1/2 SHEET 2 OF 3 REV B

4

3

2

1

THIS DRAWING IS UNPUBLISHED.

RELEASED FOR PUBLICATION

,19

© COPYRIGHT 19

BY AMP INCORPORATED. ALL RIGHTS RESERVED.

LOC

DIST

REVISIONS

DS

P

LTR

DESCRIPTION

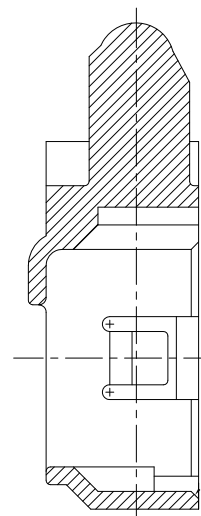
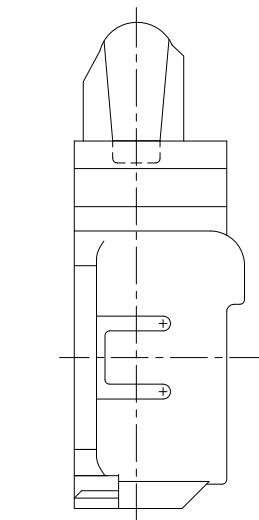
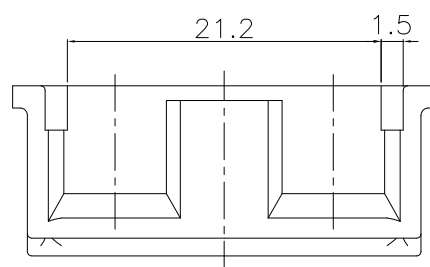
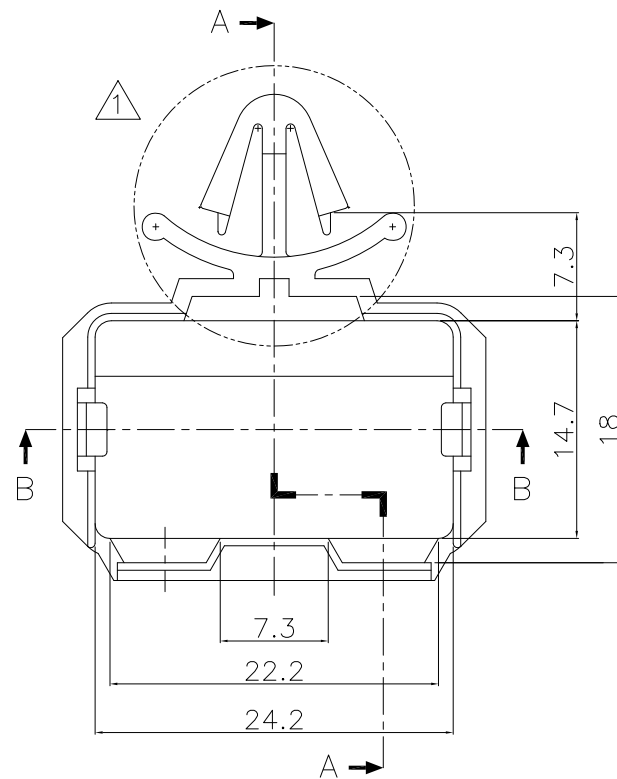
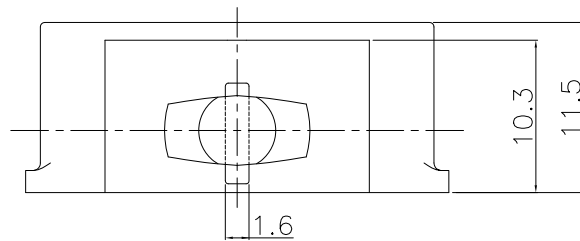
DATE

DWN

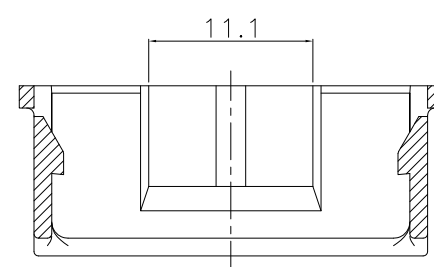
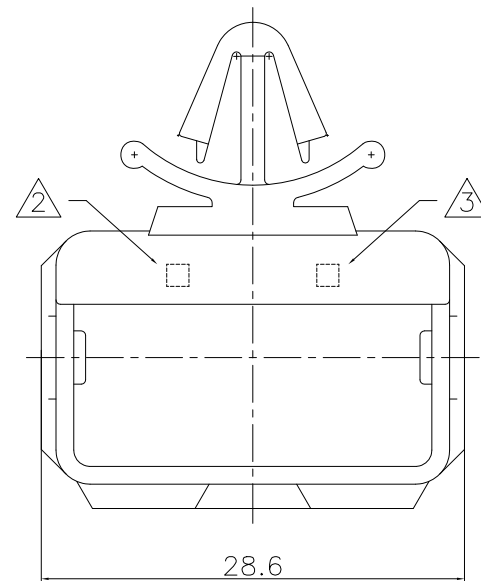
APVD

SEE SHEET 1/3

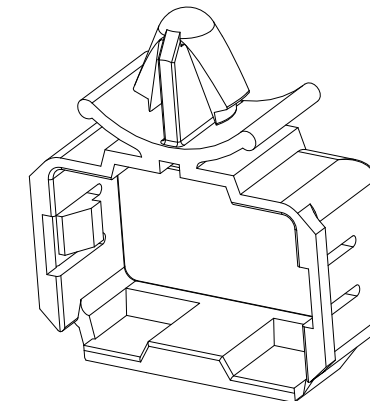
1-936273-1



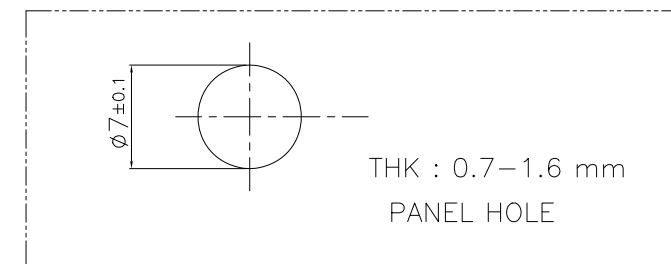
SECTION A-A



SECTION B-B



3D VIEW



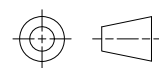
THK : 0.7-1.6 mm
PANEL HOLE

NOTES

- 1. EACH P/NO IS DIFFERENTIATED BY ONLY THIS FIGURE DUE TO PANEL & JPT
- 2. CAVITY MARK
- 3. TE LOGO

THIS DRAWING IS A CONTROLLED DOCUMENT FOR AMP INCORPORATED. IT IS SUBJECT TO CHANGE AND THE CONTROLLING ENGINEERING ORGANIZATION SHOULD BE CONTACTED FOR THE LATEST REVISION.

DIMENSIONS:
MM



3rd ANGLE PROJECTION
MATERIAL
NYLON 66
(TEKAMID210IR,DARK GRAY)

TOLERANCES UNLESS OTHERWISE SPECIFIED:

0<XX<10 ± 0.2
 10<XX<30 ± 0.25
 30<XX<100 ± 0.3
 ANGLES ± 3°

FINISH

1-936273-1	ø7 (THK:0.7-1.6) ROUND HOLE	85205/368366/368356(STD), 368000/936136(MULTI)
P/NO	PANEL HOLE & THK	APPLICABLE P/NO OF JPT 3P ASS'Y
DWN	CHK	APVD
SEE SHEET 1/3		NAME
PRODUCT SPEC		AMP KOREA. Kyungsan, Korea
APPLICATION SPEC		CLIP BODY HSG FOR JPT 3P ASS'Y
WEIGHT	1.80 g	SIZE
CUSTOMER DRAWING		CAGE CODE
		DRAWING NO
		A3 00779 ©-936273
		SCALE
		1/2 SHEET 3 OF 3 REV B

单击下面可查看定价，库存，交付和生命周期等信息

[>>TE Connectivity\(泰科\)](#)