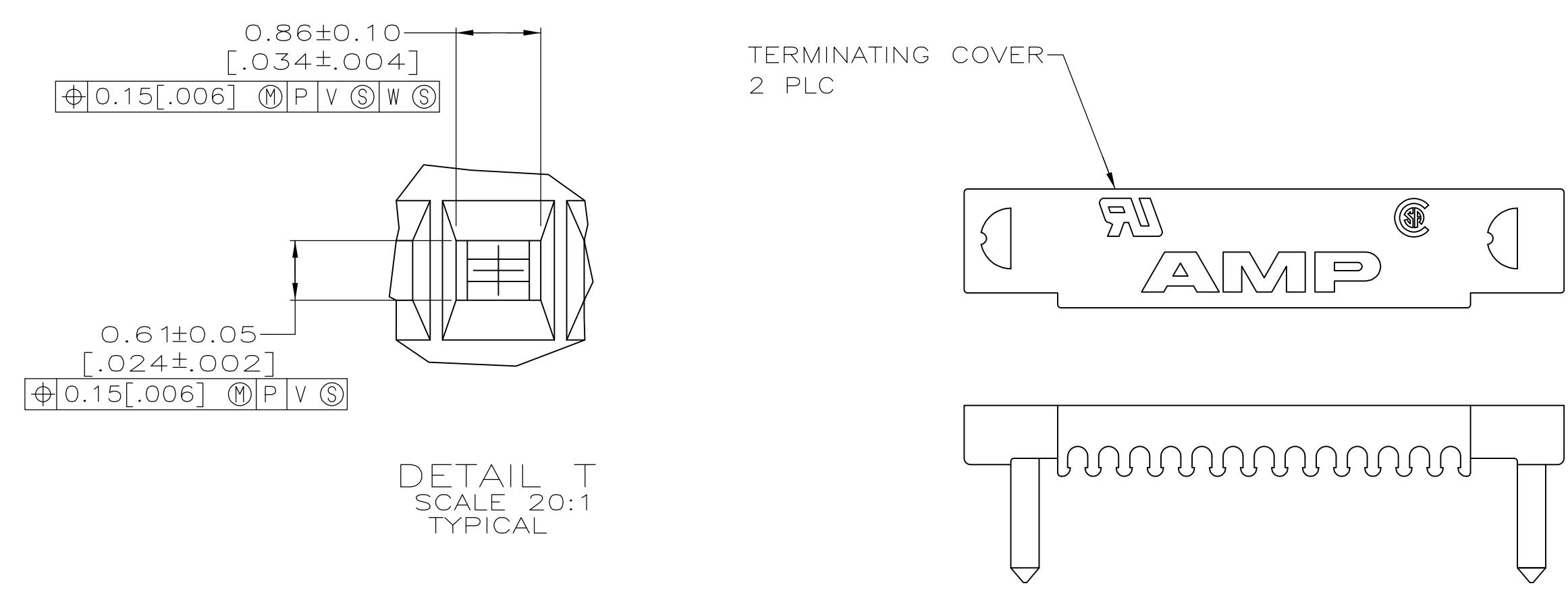
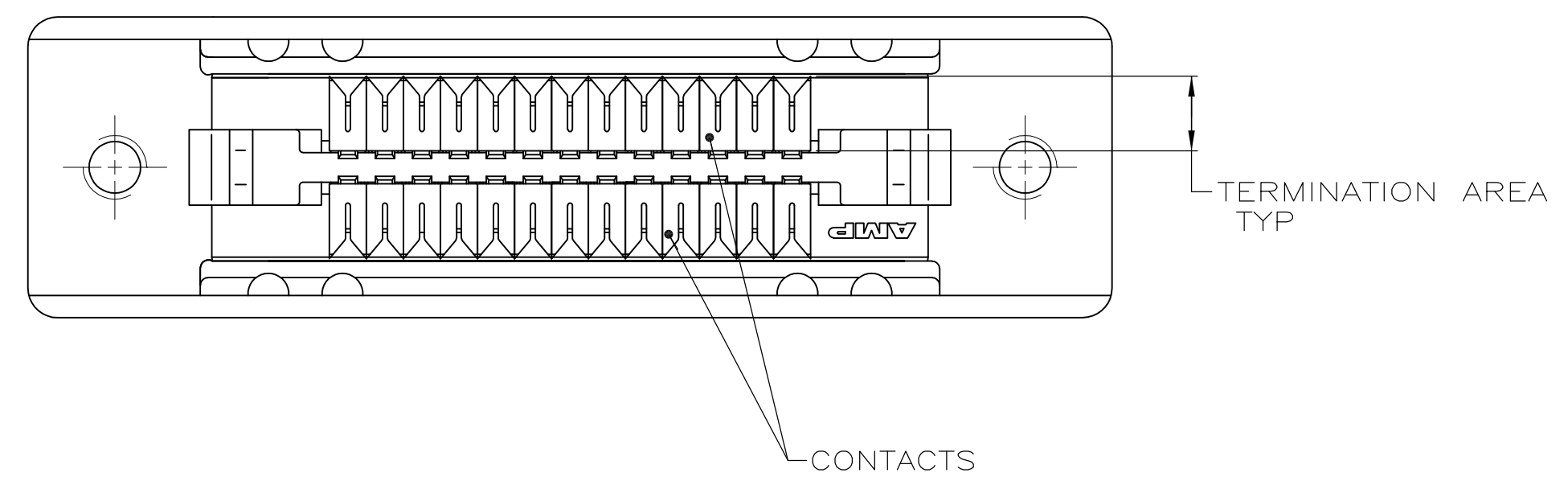
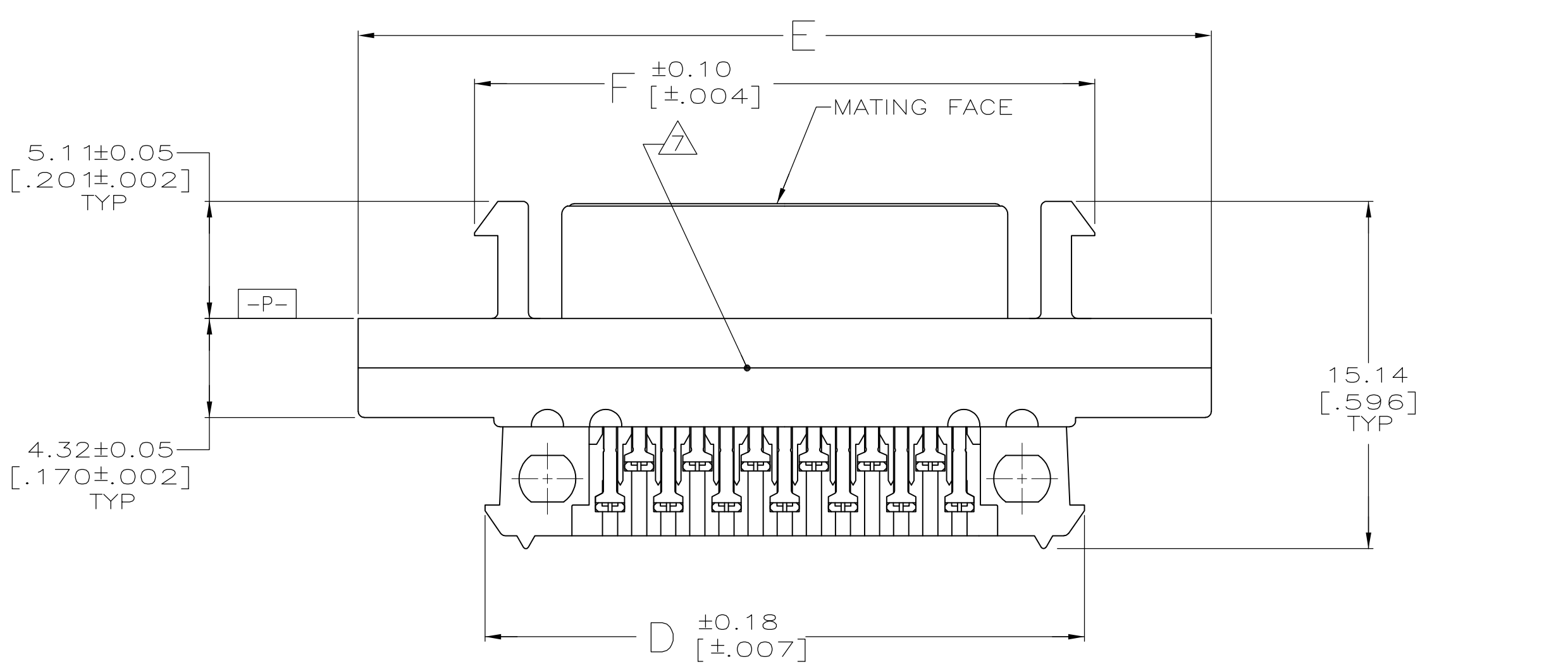


- 1 MATERIAL—
 CONTACTS: PHOSPHOR BRONZE.
 SHELL: CARBON STEEL.
 HOUSING: POLYESTER, BLACK, UL 94V-0 RATED.
 TERMINATING COVERS: POLYESTER, UL 94V-0 RATED, COLOR: SEE TABLE.
 BRACKET: ZINC.
- 2 FINISH—
 SHELL: 5.08µm [.000200] MIN NICKEL OVER 1.27µm [.000050] MIN COPPER.
 BRACKET: 5.08µm [.000200] MIN NICKEL OVER 7.62µm [.000300] MIN COPPER.
 CONTACTS: SEE TABLE.
- 3 EITHER 0.76µm [.000030] MIN GOLD PLATE OR GOLD FLASH OVER PALLADIUM NICKEL PLATE, 0.76µm [.000030] MIN TOTAL FOR A LENGTH OF 0.64 [.025] MIN, 0.13 [.005] MAX FROM MATING END, 1.27µm [.000050] MIN TIN-LEAD IN TERMINATION AREA, ALL OVER 1.27µm [.000050] MIN NICKEL.
- 4 EITHER 0.76µm [.000030] MIN GOLD PLATE OR GOLD FLASH OVER PALLADIUM NICKEL PLATE, 0.76µm [.000030] MIN TOTAL FOR A LENGTH OF 0.64 [.025] MIN, 0.13 [.005] MAX FROM MATING END, 1.27µm [.000050] MIN TIN IN TERMINATION AREA, ALL OVER 1.27µm [.000050] MIN NICKEL.
- 5 RECOMMENDED WIRE: 28 AWG OR 30 AWG, SOLID OR 7 STRAND, PVC INSULATION, REFER TO TABLE BELOW FOR INSULATION DIA.
6. COVERS PACKAGED SEPARATE FROM CONNECTORS IN SAME SHIPPING CONTAINER.
- 7 DATE CODE THIS AREA, EITHER SIDE, SEE TABLE.
- 8 OBSOLETE PART NUMBER.
- 9 ROHS 2002/95/EC COMPLIANT



4	YES	GRAY	0.74-0.79 DIA [.029-.031]	15.24 [.600]	42.29 [1.665]	52.45 [2.065]	41.38 [1.629]	46.48 [1.830]	34.70 [1.366]	30.48 [1.200]	50	9	6-786862-5
4	YES	BLACK	0.81-0.91 DIA [.032-.036]	15.24 [.600]	42.29 [1.665]	52.45 [2.065]	41.38 [1.629]	46.48 [1.830]	34.70 [1.366]	30.48 [1.200]	50	9	5-786862-5
3	NO	GRAY	0.74-0.79 DIA [.029-.031]	31.12 [1.225]	74.04 [2.915]	84.20 [3.315]	73.13 [2.879]	78.23 [3.080]	66.45 [2.616]	62.23 [2.450]	100	8	1-786862-9
3	NO	GRAY	0.74-0.79 DIA [.029-.031]	20.96 [.825]	53.72 [2.115]	63.88 [2.515]	52.81 [2.079]	57.91 [2.280]	46.13 [1.816]	41.91 [1.650]	68	8	1-786862-7
3	YES	GRAY	0.74-0.79 DIA [.029-.031]	15.24 [.600]	42.29 [1.665]	52.45 [2.065]	41.38 [1.629]	46.48 [1.830]	34.70 [1.366]	30.48 [1.200]	50		1-786862-5
3	NO	GRAY	0.74-0.79 DIA [.029-.031]	7.62 [.300]	27.05 [1.065]	37.21 [1.465]	26.14 [1.029]	31.24 [1.230]	19.46 [.766]	15.24 [.600]	26	8	1-786862-2
3	NO	BLACK	0.81-0.91 DIA [.032-.036]	31.12 [1.225]	74.04 [2.915]	84.20 [3.315]	73.13 [2.879]	78.23 [3.080]	66.45 [2.616]	62.23 [2.450]	100	8	786862-9
3	NO	BLACK	0.81-0.91 DIA [.032-.036]	20.96 [.825]	53.72 [2.115]	63.88 [2.515]	52.81 [2.079]	57.91 [2.280]	46.13 [1.816]	41.91 [1.650]	68	8	786862-7
3	YES	BLACK	0.81-0.91 DIA [.032-.036]	15.24 [.600]	42.29 [1.665]	52.45 [2.065]	41.38 [1.629]	46.48 [1.830]	34.70 [1.366]	30.48 [1.200]	50		786862-5
3	NO	BLACK	0.81-0.91 DIA [.032-.036]	7.62 [.300]	27.05 [1.065]	37.21 [1.465]	26.14 [1.029]	31.24 [1.230]	19.46 [.766]	15.24 [.600]	26	8	786862-2
CONTACT FINISH	DATE CODE	TERMINATING COVERS COLOR	INSULATION OUTER DIA	5	G	F	E	D	C	B	A	NO OF POSN	PART NUMBER

THIS DRAWING IS A CONTROLLED DOCUMENT.

OWN: C. OBERMAN 04/29/93
 CHK: R. STONE 5-10-93
 PRODUCT SPEC: J. OLSON 19DEC2005
 NAME: 108-1228
 APPLICATION SPEC: 114-40029
 WEIGHT: -

Tyco Electronics Corporation
 Harrisburg, Pa 17105-3608

RECEPTACLE KIT, UNASSEMBLED, PANEL MOUNT, W/ WIRE TERMINATING COVER, W/ LATCH BLOCK.

SIZE: A1
 CAGE CODE: 00779
 DRAWING NO: 786862
 SCALE: 5:1
 SHEET: 1 OF 1
 REV: J

单击下面可查看定价，库存，交付和生命周期等信息

[>>TE Connectivity\(泰科\)](#)